

PLEASE CHECK WWW.MOLEX.COM FOR LATEST PART INFORMATION

Part Number: [0751991054](#)
Status: **Active**
Description: VHDM Lite 8 Row Shield End Backplane

Documents:

Drawing (PDF)	Packaging Specification PK-74061-003 (PDF)
Product Specification PS-74031-999 (PDF)	RoHS Certificate of Compliance (PDF)

General

Product Family	Backplane Connectors
Series	75199
UPC	822348855995

Physical

Net Weight	6.900/g
------------	---------

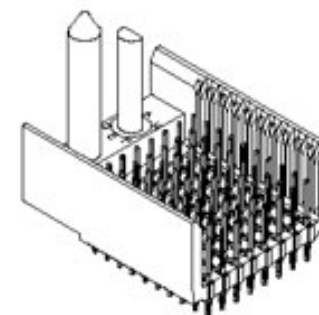
Solder Process Data

Lead-freeProcess Capability	N/A
-----------------------------	-----

Material Info

Reference - Drawing Numbers

Packaging Specification	PK-74061-003
Product Specification	PS-74031-999
Sales Drawing	SD-75199-001



Series image - Reference only

EU ELV

Not Relevant

EU RoHS

Compliant

REACH SVHC

Not Contained Per
-ED/79/2015 (17
December 2015)

Halogen-Free

Status

Low-Halogen

Need more information on product environmental compliance?

Email productcompliance@molex.com
Please visit the [Contact Us](#) section for any non-product compliance questions.

China ROHS
ELV

Green Image
Not Relevant

Search Parts in this Series

[75199 Series](#)

Application Tooling | [FAQ](#)

Tooling specifications and manuals are found by selecting the products below. Crimp Height Specifications are then contained in the Application Tooling Specification document.

Global

Description	Product #
Insertion Module for Standard Shield Signal Header, 8-Row by 10-Wide, 20.00mm	0622020209
Signal Pin Inserter Repair Tool	0622015700

PLEASE CHECK WWW.MOLEX.COM FOR LATEST PART INFORMATION