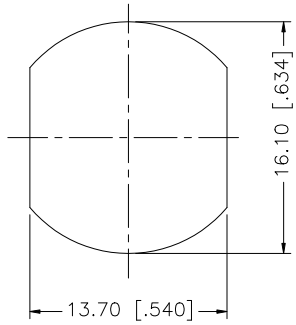
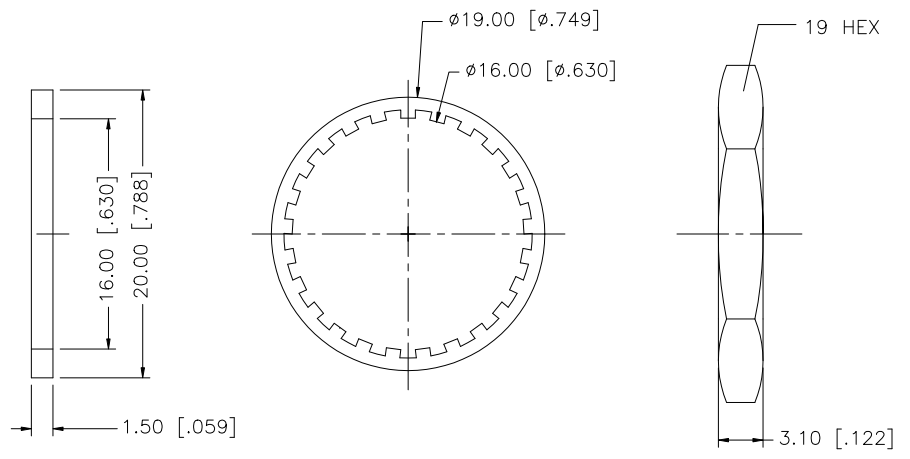
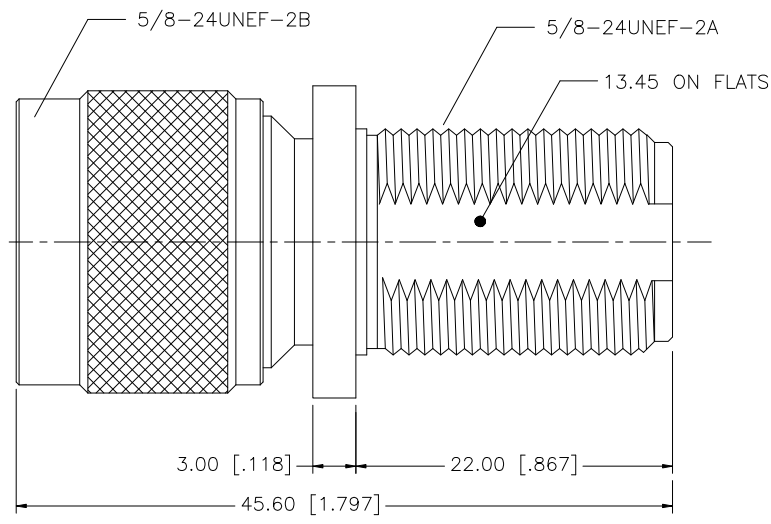


REV.	DATE	DESCRIPTION
NC	09/23/07	INITIAL RELEASE



RECOMMENDED MOUNTING HOLE



NOTE:
1. MAX. PANEL THICKNESS = 6.5mm

DESCRIPTION	MATERIAL	FINISH	QTY
8			
7			
6	BRASS	NEXCOTE	1
5	BRASS	NEXCOTE	1
4	SILICONE	RED	1
3	PHOS. BRONZE	GOLD	1
2	TEFLON	NATURAL	1
1	BRASS	NEXCOTE	1

UNLESS OTHERWISE SPECIFIED DIMENSIONS ARE IN MILLIMETERS. DIMENSIONS IN [] ARE IN INCHES AND FOR CUSTOMER REFERENCE ONLY.

UNLESS OTHERWISE SPECIFIED TOLERANCES FOR MILLIMETERS ARE:
0.5 - 8mm ± 0.20mm
8 - 30mm ± 0.40mm
30 - 120mm ± 0.50mm

UNLESS OTHERWISE SPECIFIED TOLERANCES FOR INCHES ARE:
.020 - .315 = ± 0.007"
.315 - 1.180 = ± 0.015"
1.180 - 4.724 = ± 0.020"

DO NOT SCALE DRAWING

APPROVALS	DATE
DRAWN G.R.S.	09/23/07
CHECKED	
ISSUED	
SHEET 1 OF 1	
CAD FILE C:/172/172336.DWG	

Amphenol Connex

PART DESCRIPTION
N PLUG TO N BULKHEAD JACK ADAPTER

PART NO. **172336**

DWG. NO. 172336.DWG	REV. NC	SIZE A	SCALE NA
---------------------	---------	--------	----------