

MICRO SWITCH

FREEPORT ILLINOIS U S A
A DIVISION OF HONEYWELL

FED MFG CODE 91829

SWITCH - ENCLOSED

CATALOG LISTING
21EN37-6B

M 21EN37-6B

DRAWING NUMBER

ISSUE

X 4

REVISIONS

REVISIONS

A	0066712	TJO	DEC 89
B	CO 74101	DAW	10 FEB 93
C	CO 778048	SAB	18 MAY 94

REPLACES

RELEASE NO PR-12056

CHECK

14 APR 83

CHECK

CHECK

14 APR 83

CHECK

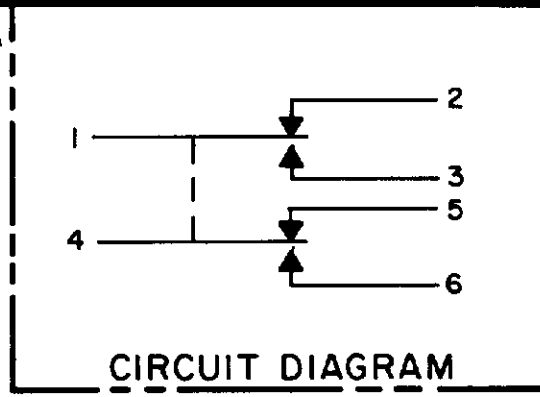
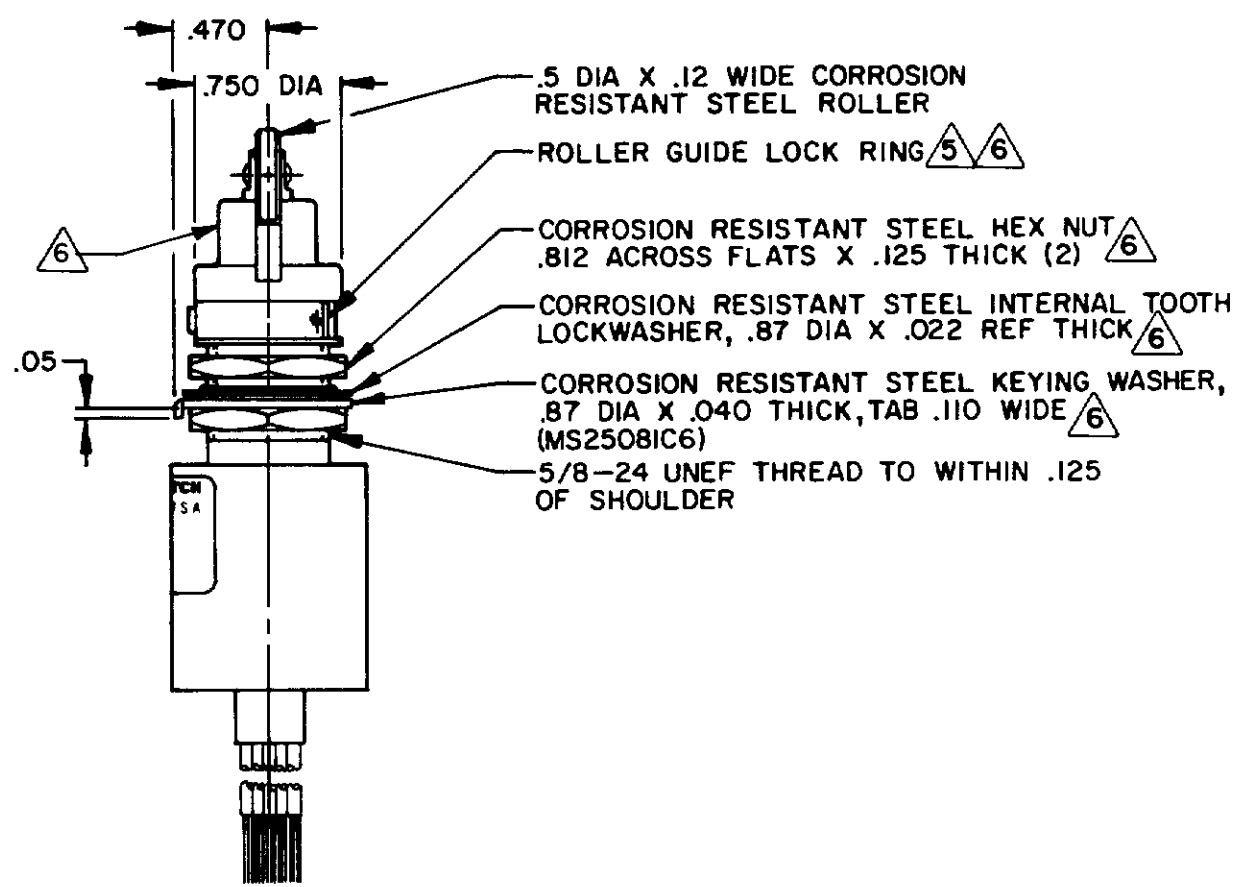
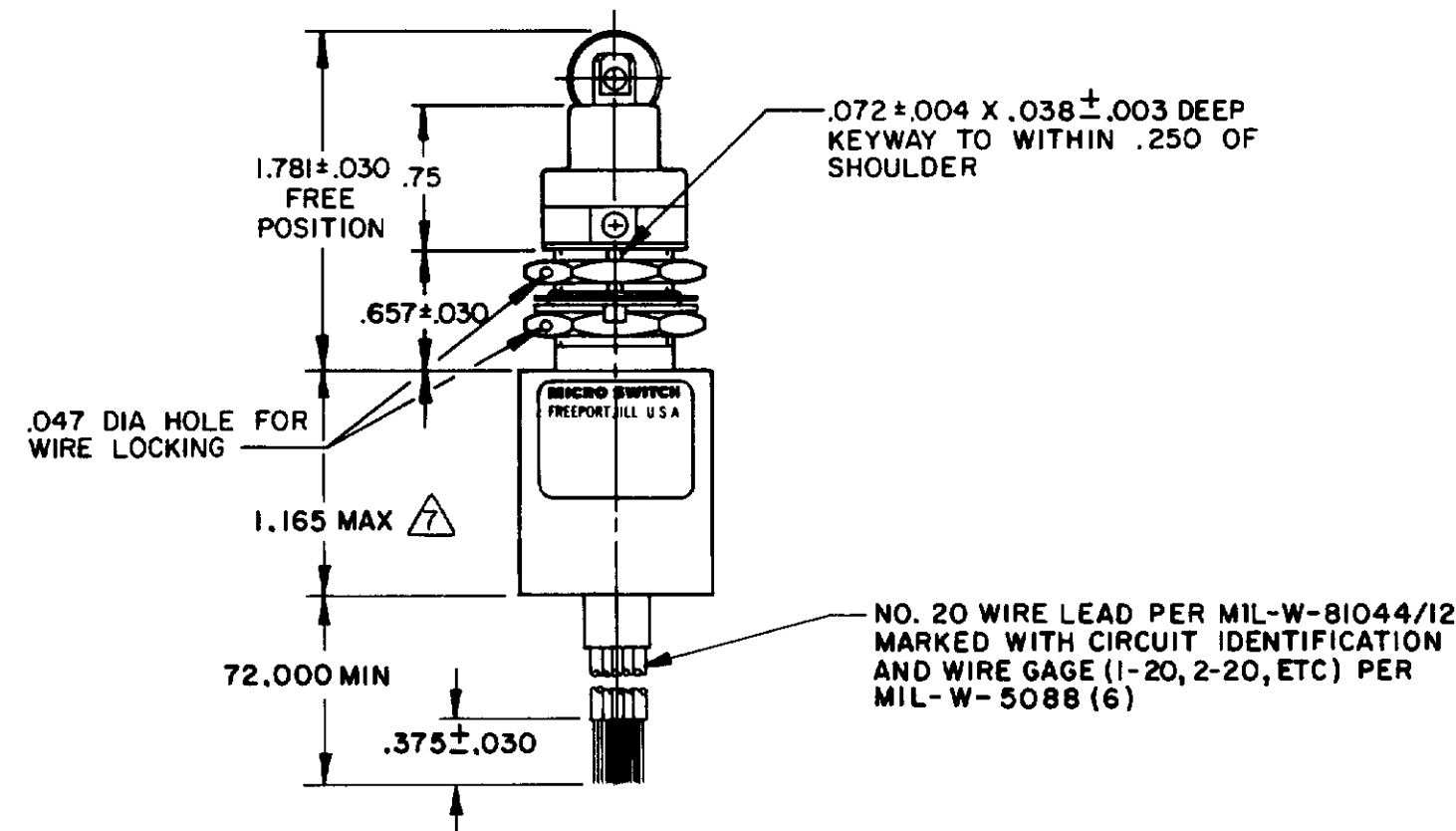
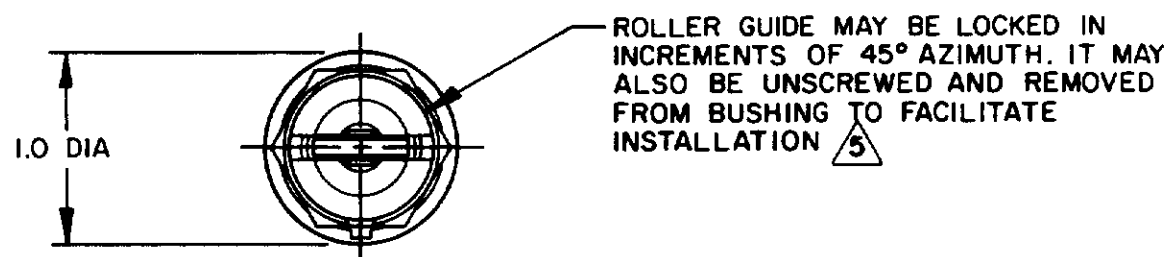
14 APR 83

CHECK

14 APR 83

CHECK

14 APR 83



THIS DRAWING COVERS A PROPRIETARY ITEM AND IS THE PROPERTY OF MICRO SWITCH, A DIVISION OF HONEYWELL. THIS DRAWING IS NOT TO BE COPIED OR USED WITHOUT THE APPROVAL OF MICRO SWITCH

THIRD ANGLE PROJECTION

SCALE FULL

DO NOT SCALE PRINT

CHARACTERISTICS	
OPERATING FORCE	6-12 LB
FULL OVERTRAVEL FORCE	30 LB MAX
RELEASE FORCE	4 LB MIN
PRETRAVEL	.040 MAX
DIFFERENTIAL TRAVEL	.020 MAX
OVERTRAVEL	.250 MIN

ELECTRICAL DATA		
CONTACT ARRANGEMENT		
SPDT (2)		
28 VDC		
LOAD	SEA LEVEL	50,000 FT.
RES	4	4
IND	2	2
MOTOR	4	
LAMP		

TOLERANCES			
APPLY TO DESIGN UNITS. CONVERSIONS ARE ONLY FOR REFERENCE UNLESS NOTED TOLERANCES ARE 2			
DIM	TOL	DIM	TOL
IN	IN	MM	MM
NO PLACES			
ONE PLACE	X	0.4/0.18	X X
TWO PLACES	X X	0.15/0.05	X X X
THREE PLACES	X X X		X X X X
ANGLES			

DESIGN UNITS METRIC US CUSTOMARY

RAW MATERIAL-COMMERCIAL STANDARD MICRO SWITCH STANDARDS APPLY

DIMENSIONS ARE TO BE MET BEFORE PROTECTIVE COATINGS ARE APPLIED

WEIGHT 8.9 OZ MAX

- NOTES:
- 1 - CORROSION RESISTANT STEEL ENCLOSURE
 - 2 - SWITCH SEALED PER MIL-S-8805 SYMBOL 4
 - 3 - CIRCUIT DIAGRAM AND CATALOG LISTING ARE SHOWN ON NAMEPLATE
 - 4 - COINCIDENCE OF OPERATING AND RELEASING POINTS: .010 OF PLUNGER TRAVEL
- ⁵ TO ADJUST ROLLER DIRECTION, REMOVE ROLLER GUIDE LOCK RING, SCREW ROLLER GUIDE DOWN AS FAR AS POSSIBLE, THEN UNSCREW TO DESIRED DIRECTION. SECURE BY REPLACING ROLLER GUIDE LOCK RING
- ⁶ HARDWARE MAY BE PACKAGED UNASSEMBLED PER MIL-S-8805
- ⁷ THIS DIMENSION EXCLUDES THE RESILIENT POTTING MATERIAL ON THE BOTTOM OF SWITCH