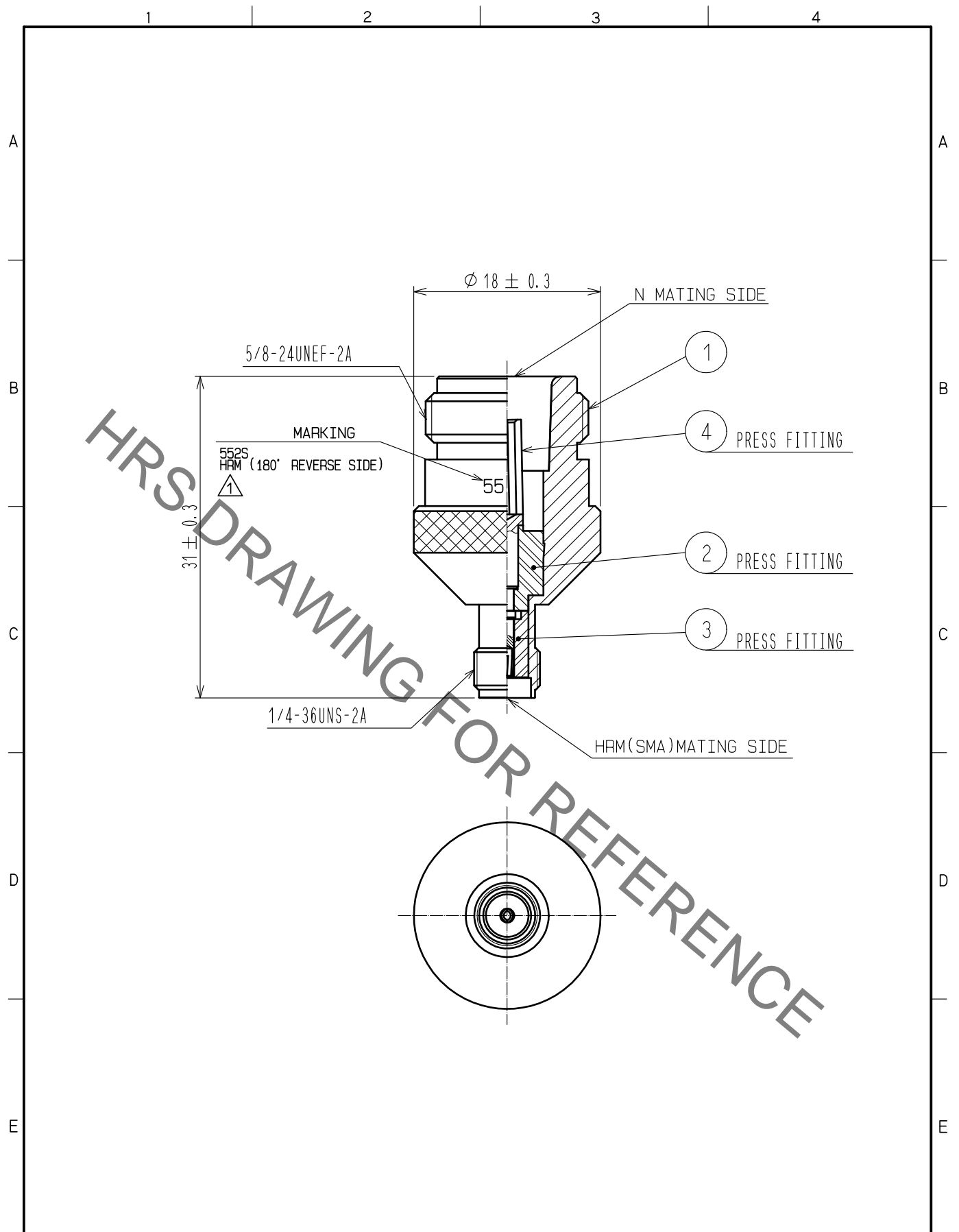


Jul.1.2019 Copyright 2019 HIROSE ELECTRIC CO., LTD. All Rights Reserved.
 In case of consideration for using Automotive equipment / device which demand high reliability, kindly contact our sales window correspondents.



2	PTFE		4	Beryllium copper	Gold plating			
1	Stainless steel	Passivate	3	PTFE				
NO.	MATERIAL	FINISH .	REMARKS	NO.	MATERIAL	FINISH .	REMARKS	
UNITS mm		SCALE 2 : 1	COUNT 	DESCRIPTION OF REVISIONS DIS-D-00004178		DESIGNED NK. NINOMIYA	CHECKED TS. NOBE	DATE 20190621
HIROSE ELECTRIC CO., LTD.		APPROVED : IJ. MITANI	20050105	DRAWING NO. EDC4-007205-00				
		CHECKED : KY. SHIMIZU	20050105	PART NO. HRM-552S				
		DESIGNED : TO. KATAYAMA	20050105	CODE NO. CL311-0119-1-00				
		DRAWN : MH. WATANABE	20050105	1/1				