

## 3:1 Unequal Power Divider 5501.31.0003

### Tapper

#### Description

This tapper unevenly splits high power cellular signals in the ratio 3:1 with minimal reflections or loss over the wireless bands in the range 350 - 2700 MHz (no coupling from 960 to 1710 MHz). The innovative asymmetric design ensures an excellent input VSWR and coupling flatness across the band.

The lightweight design allows easy attachment to a wall using the supplied bracket. Designed with only a few solder joints and an air dielectric, loss is minimized and reliability enhanced.

It supports public safety and cellular bands, as well as WiFi 2.4 GHz.



#### Technical Data

##### Electrical Data

	Band 1	Band 2
Frequency (GHz)	0.35 - 0.96	1.71 - 2.7
Return Loss (dB)	17.6	17.6
Tapp Loss (dB)	4.8	4.8
Tapp Loss flatness +/- (dB)		
Insertion Loss (dB)	1.3	1.3
Max. Composite Power (W)	300	300
Peak Envelope Power (W)	2000	2000
Intermodulation distortion (dBc)	-161	-161
@ 2 x Carrier Power (dBm)	43	43

	Main Line In	Main Line Out	Tap Port
Port Designation	IN	OUT	4.8 dB
Connector Type	4.3-10	4.3-10	4.3-10
Gender	jack (female)	jack (female)	jack (female)

Char. impedance 50 Ω

##### Mechanical Data

Dimensions 32 x 89 x 32 mm (Height x Width x Length)  
Weight 0.42 kg

##### Environmental Data

Environmental conditions indoor/outdoor  
Operation temperature -40 °C to 75 °C  
Storage temperature -40 °C to 75 °C  
Transport temperature -40 °C to 75 °C  
IP rating IP67  
2011/65/EU (RoHS - including 2015/863 and 2017/2102) compliant

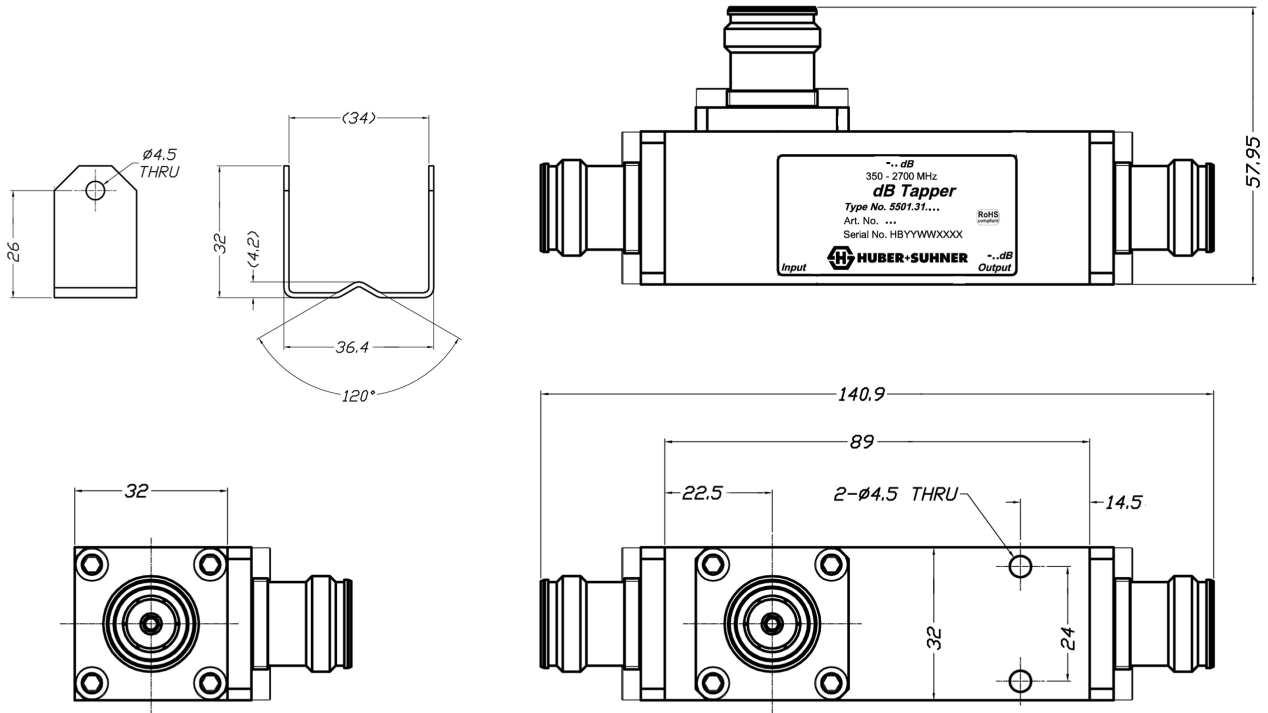
##### Material Data

Housing Material Aluminium  
Surface treatment Black paint

##### Related Documents

Outline drawing DOU-00374695

## 3:1 Unequal Power Divider 5501.31.0003



# Mouser Electronics

Authorized Distributor

Click to View Pricing, Inventory, Delivery & Lifecycle Information:

[HUBER+SUHNER:](#)

[5501.31.0003](#)