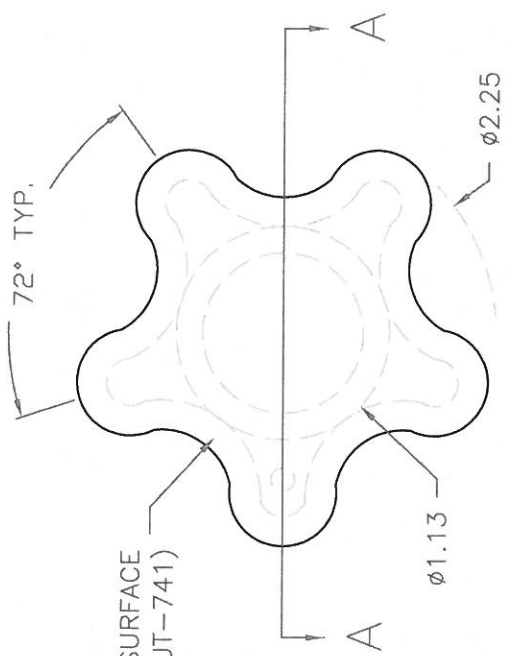


PART NAME: 5 STAR-KNOB SCALE: 1:1 DATE: 5/30/17 DR. BY JD  
 THIS DRAWING IS THE PROPERTY OF DAVIES MOLDING COMPANY. IS SUBMITTED SOLELY AS A DESIGN OR ENGINEERING PROJECT.  
 WE ACCEPT NO RESPONSIBILITY WHATSOEVER FOR THE PRACTICAL APPLICATION OF THE PIECES MADE TO THIS DESIGN.



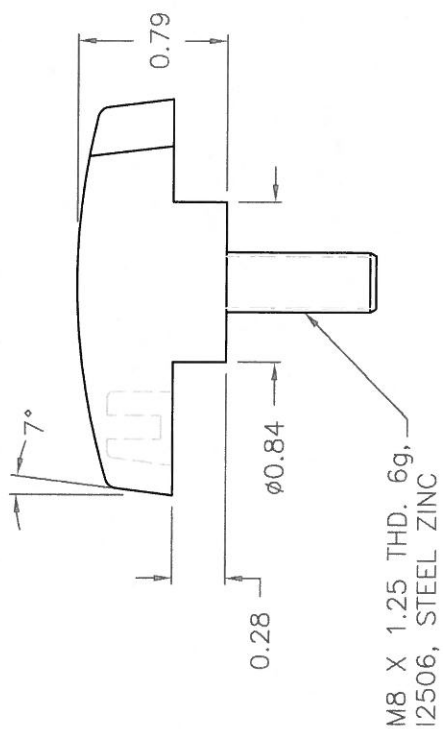
DESIGNERS & MANUFACTURERS  
 OF KNOBS, HANDLES, CASES &  
 CUSTOM PLASTIC COMPONENTS

P/N	2980CZ
M. NO.	# 2980
CAVITY	2980
CORE	2980
CAVITY PIN	2980BG
PIN	2980CZ
INSERT	I2506

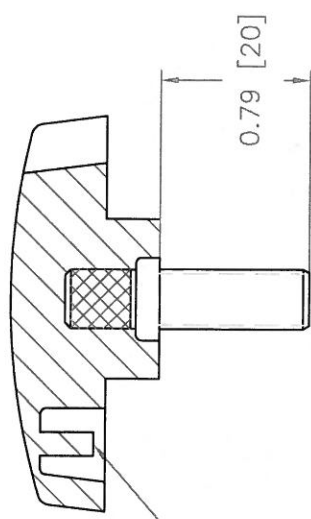


TEXTURED TOP SURFACE ONLY, (UNITEX-UT-741)

SECTION A-A



M8 X 1.25 THD. 6g,  
 I2506, STEEL ZINC



GATE TO BE TRIMMED FLUSH OR BELOW THIS SURFACE

MATERIAL: POLYPROPYLENE (CLD)  
 COLOR: BLACK (PC-301)

TOLERANCES: UNLESS OTHERWISE SPECIFIED	DO NOT SCALE DRAWING		
DECIMALS: X.XXX ± .005 X.XX ± .015	MM: X.XX ± 0.15MM X.X ± 0.4MM		
FRACTIONS ± 1/64	ANG. ± 1°		CHANGES