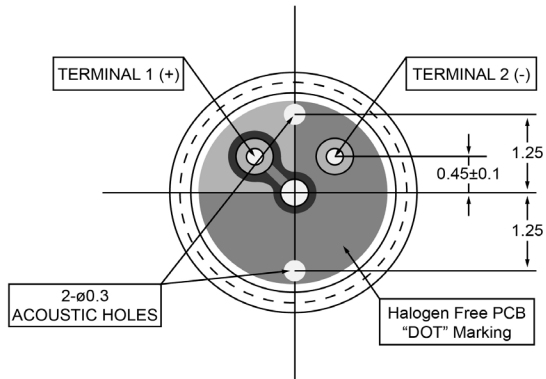
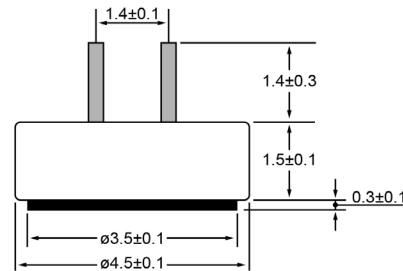


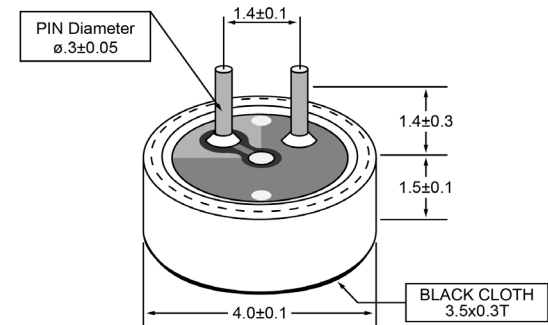
BOTTOM VIEW



SIDE VIEW



ANGLED VIEW



Specifications

Description	Value	Unit
Directivity	Noise Canceling	
Technology	Electret Condenser	
Sensitivity	-44	(dB)
Frequency Range	40 ~ 20,000	(Hz)
Rated Voltage	2	(V)
Output Impedance	2,200	(Ohm)
Connection Method	PC Pins	
Voltage Range	1.7 ~ 5	(V)
Max Rated Current	0.45	(mA)
Minimum Signal to Noise Ratio	>55	(dB)
Operating Temperature	-40 ~ +85	°C
Storage Temperature	-40 ~ +85	°C

Notes

- 1) All dimensions are in mm unless otherwise noted
- 2) All parts meet RoHS



Revision History

Version	Description	Date	Approved		
1	Released from Engineering	10/21/2013	J.S		
Drawn by	Date	Checked by	Date	Approved by	Date
A.B.	10/21/2013	C.E.	10/21/2013	J.S	10/21/2013

Electret Condenser Microphone

MN044402-2