

**Ordering number FP11047_LISA2-RS-PIN**

Family	Lisa2	FWHM	16 degrees
Type	Assembly	Efficiency	89 %
LED	Oslon SSL 80	cd/lm	-
Color	Black	Gerber File	Available
Diameter	9.9 mm		
Height	6.6 mm		
Style	Round		
Optic Material	PMMA		
Holder Material	PC		
Fastening	Pin, glue		
Status	Ready		

**Ordering number FP11001_LISA2-M-PIN**

Family	Lisa2	FWHM	23 degrees
Type	Assembly	Efficiency	90 %
LED	Oslon SSL 80	cd/lm	-
Color	Black	Gerber File	Available
Diameter	9.9 mm		
Height	6.6 mm		
Style	Round		
Optic Material	PMMA		
Holder Material	PC		
Fastening	Pin, glue		
Status	Ready		

**Ordering number FP11002_LISA2-W-PIN**

Family	Lisa2	FWHM	36 degrees
Type	Assembly	Efficiency	88 %
LED	Oslon SSL 80	cd/lm	1.730
Color	Black	Gerber File	Available
Diameter	9.9 mm		
Height	6.6 mm		
Style	Round		
Optic Material	PMMA		
Holder Material	PC		
Fastening	Pin, glue		
Status	Ready		

**Ordering number FP11124_LISA2-O-PIN**

Family	Lisa2	FWHM	48+19 degrees
Type	Assembly	Efficiency	80 %
LED	Oslon SSL 80	cd/lm	2.200
Color	Black	Gerber File	Available
Diameter	9.9 mm		
Height	6.6 mm		
Style	Round		
Optic Material	PMMA		
Holder Material	PC		
Fastening	Pin, glue		
Status	Ready		


Ordering number FP11852_LISA2-O-90-PIN

Family	Lisa2	FWHM	48+19 degrees
Type	Assembly	Efficiency	80 %
LED	Oslon SSL 80	cd/lm	-
Color	Black	Gerber File	Available
Diameter	9.9 mm		
Height	6.6 mm		
Style	Round		
Optic Material	PMMA		
Holder Material	PC		
Fastening	Pin, glue		
Status	Ready		

Ordering number FP11003_LISA2-WW-PIN

Family	Lisa2	FWHM	61 degrees
Type	Assembly	Efficiency	90 %
LED	Oslon SSL 80	cd/lm	-
Color	Black	Gerber File	Available
Diameter	9.9 mm		
Height	7 mm		
Style	Round		
Optic Material	PMMA		
Holder Material	PC		
Fastening	Pin, glue		
Status	Ready		

Ordering number FP11957_LISA2-WWW-PIN

Family	Lisa2	FWHM	70 degrees
Type	Assembly	Efficiency	77 %
LED	Oslon SSL 80	cd/lm	0.700
Color	Black	Gerber File	Available
Diameter	9.9 mm		
Height	6.6 mm		
Style	Round		
Optic Material	PMMA		
Holder Material	PC		
Fastening	Pin, glue		
Status	Ready		

NOTE: The typical divergence will be changed by different color, chip size and chip position tolerance. The typical total divergence is the full angle measured where the luminous intensity is half of the peak value.



PRODUCT DATASHEET

Lisa2 series

last update 25/10/2012



GENERAL INFORMATION

- Product series especially designed & optimized for Oslon SSL 80 series of LEDs.
- Special care taken to make light distribution as uniform as possible.
- Lens material optical grade PMMA with high UV and temperature resistance (105 degrees of Celcius / 220 degrees of Fahrenheit). Allows use of high current and temperature conditions.

Please find more information about used material from below:

http://ledil.fi/sites/default/files/Documents/Technical/Material/PMMA%20N%20UL94_Yellow%20Card.pdf

<http://ledil.fi/sites/default/files/Documents/Technical/Material/PMMA%20N%20PLEXIGLAS-Datasheet.pdf>

- Optic holder molded by high quality PC material (120 dergees of Celcius / 248 degrees of Fahrenheit).

- Fastening to PCB with appropriate adhesive. By clicking link below you can find Ledil recommended glue options.

http://www.ledil.com/datasheets/DataSheet_GLUES.pdf

NOTE 1: We advise customer to ensure the suitability and sufficiency of the bond in the end product. For example, mechanical stress, vibration and holes on the surface of the circuit board weaken the strength of the glue.

NOTE 2: All surfaces where glue is applied must be clean, dry and free from grease and dirt. If cleaning of PCB surfaces is needed, please follow strictly the cleaning instructions of your LED manufacturer -this is important as cleaning shall under no circumstances damage LEDs or other electronics components on the PCB.

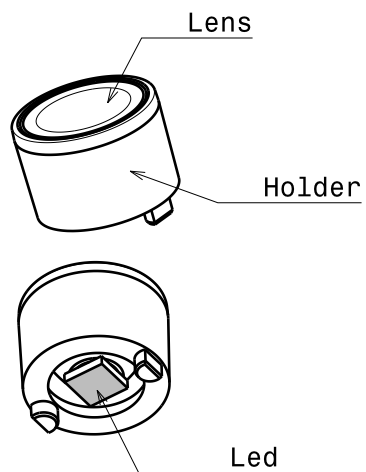
Further note that optical components shall not be cleaned with any chemicals - only micro fiber cloth may be used to remove fingerprints or other traces from handling.

D

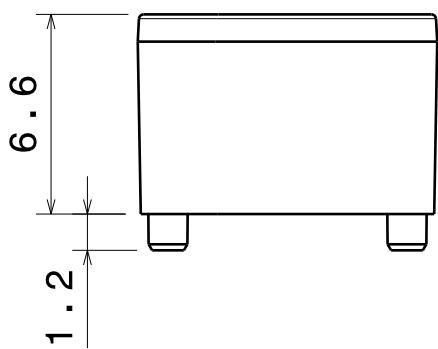
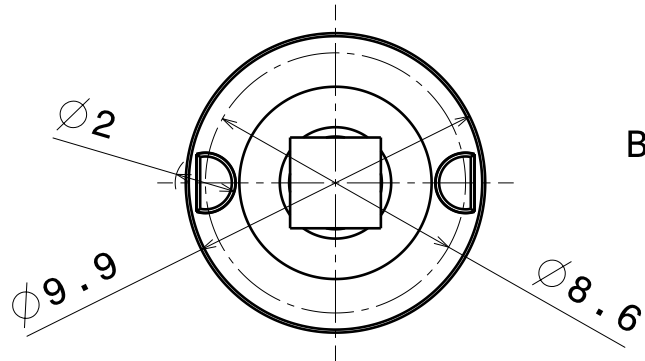
C

B

A



Isometric views
Scale: 2:1



Materials:
Lens PMMA
Holder PC

- FA11001_Lisa2-M-Pin-OSL
- FA11002_Lisa2-W-Pin-OSL
- FA11003_Lisa2-WW-Pin-OSL
- FA11047_Lisa2-RS-Pin-OSL
- FA11124_Lisa2-O-Pin-OSL

This drawing is our property.
It can't be reproduced
or communicated without
our written agreement.



Ledil Oy
Tehdaskatu 13
FIN-24100 SALO
Finland

DRAWING TITLE
Datasheet Lisa2-OSL series assy

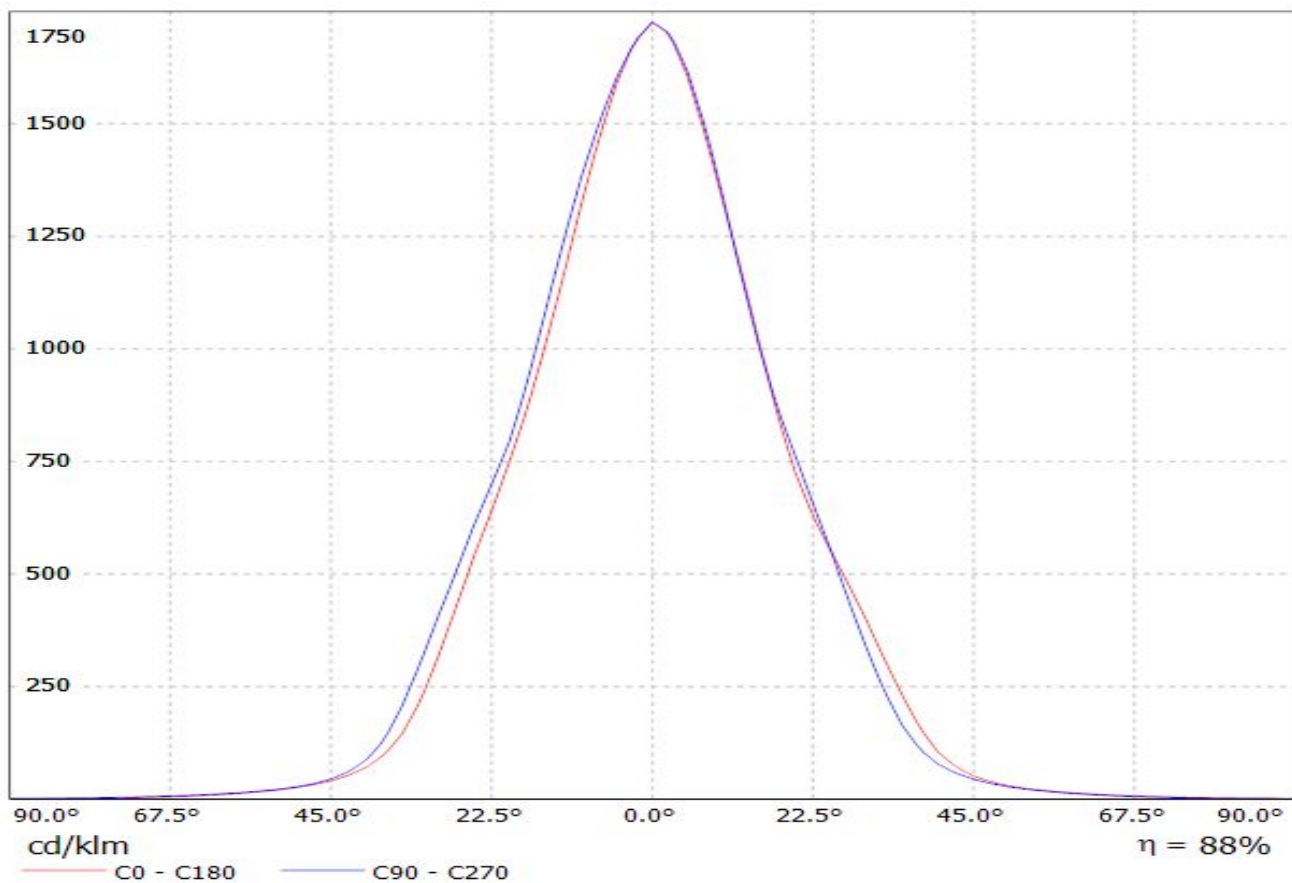
DRAWN BY pv	DATE 10.11.2009
CHECKED BY tk	DATE 07.08.2009
DESIGNED BY hh	DATE 09.08.2009

SIZE A4	DRAWING NUMBER	REV 0.1
SCALE 4:1	WEIGHT (g)	SHEET 1/1

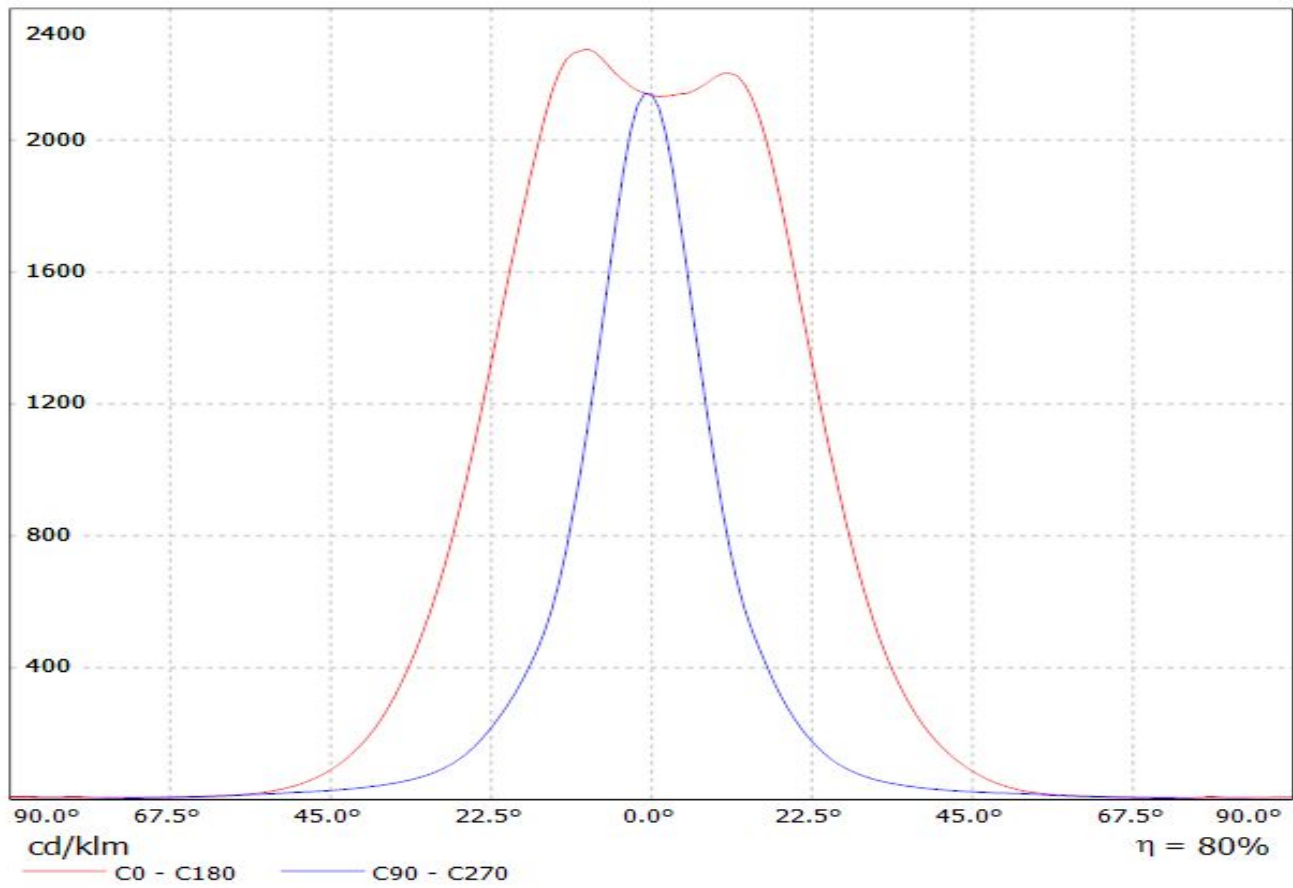
D

A

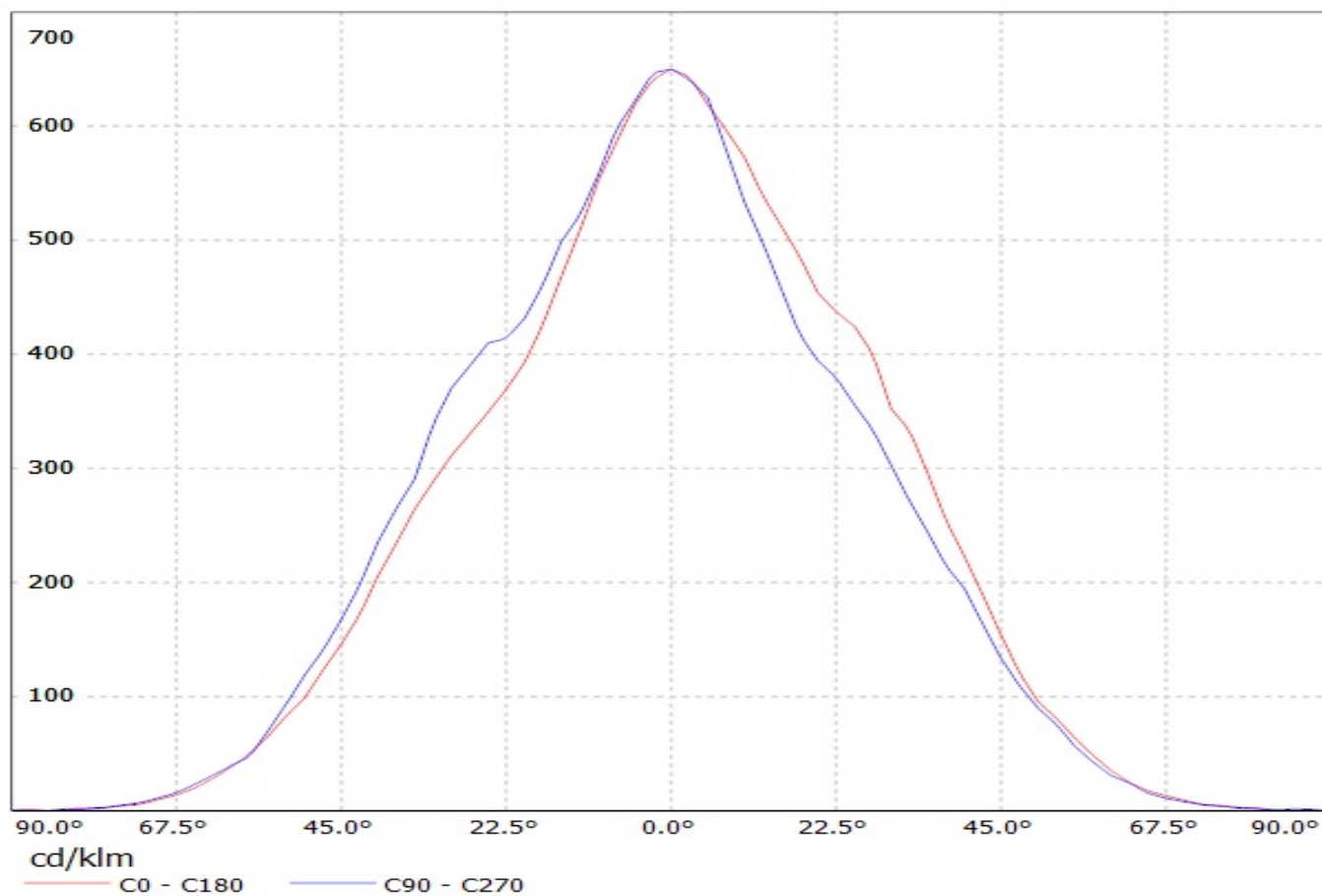
Luminaire: LEDiL Oy FP11002 & FP11082_LISA2-W_(SSL80) Eff.87.5%
Lamps: 1 x Oslon SSL80 (77.5072lm@250mA)



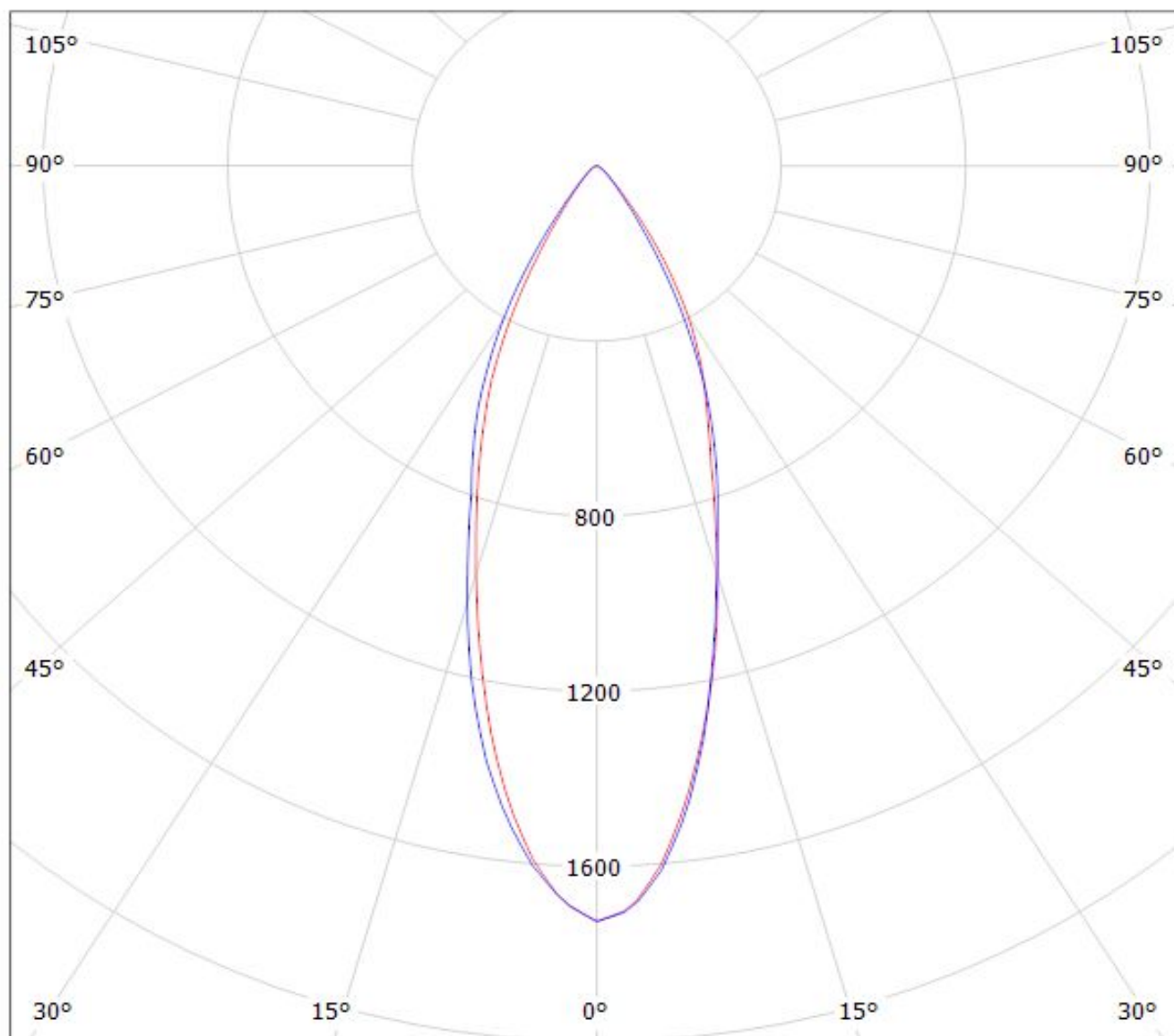
Luminaire: LEDiL Oy FP11124&FP11120_Lisa2-O_(SSL80) Eff.80.4%
Lamps: 1 x Oslon SSL80 (77.5621lm@250mA)



Luminaire: Ledil Oy FP11957 & FP11958_LISA2-WWW (Osram Oslon 80 79lm @ 250mA) Efficiency=74%
Lamps: 1 x Osram Oslon 80 79lm @ 250mA



Luminaire: LEDiL Oy FP11002 & FP11082_LISA2-W_(SSL80) Eff.87.5%
Lamps: 1 x Oslon SSL80 (77.5072lm@250mA)



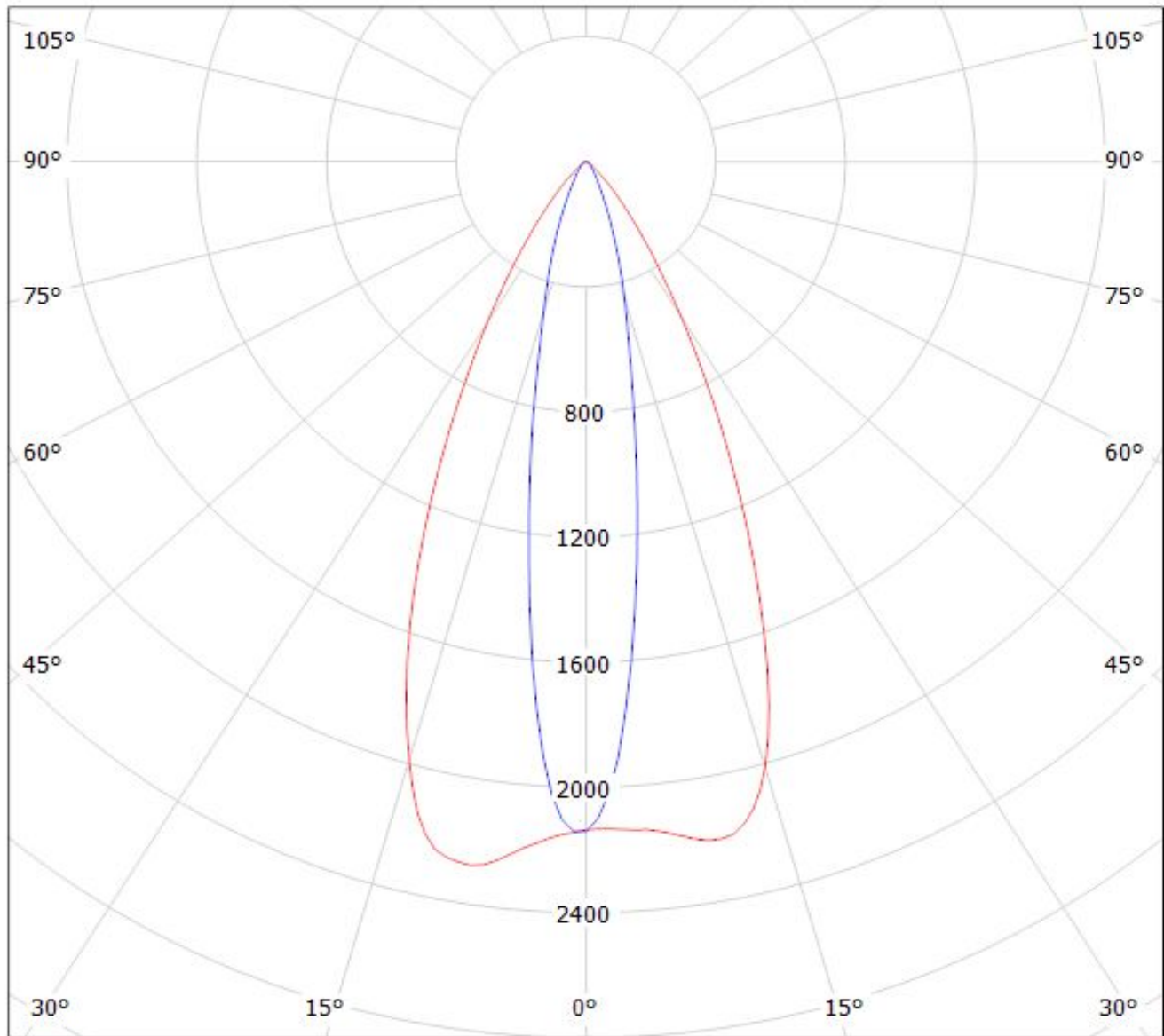
cd/klm

$\eta = 88\%$

— C0 - C180

— C90 - C270

Luminaire: LEDiL Oy FP11124&FP11120_Lisa2-O_(SSL80) Eff.80.4%
Lamps: 1 x Oslon SSL80 (77.5621lm@250mA)



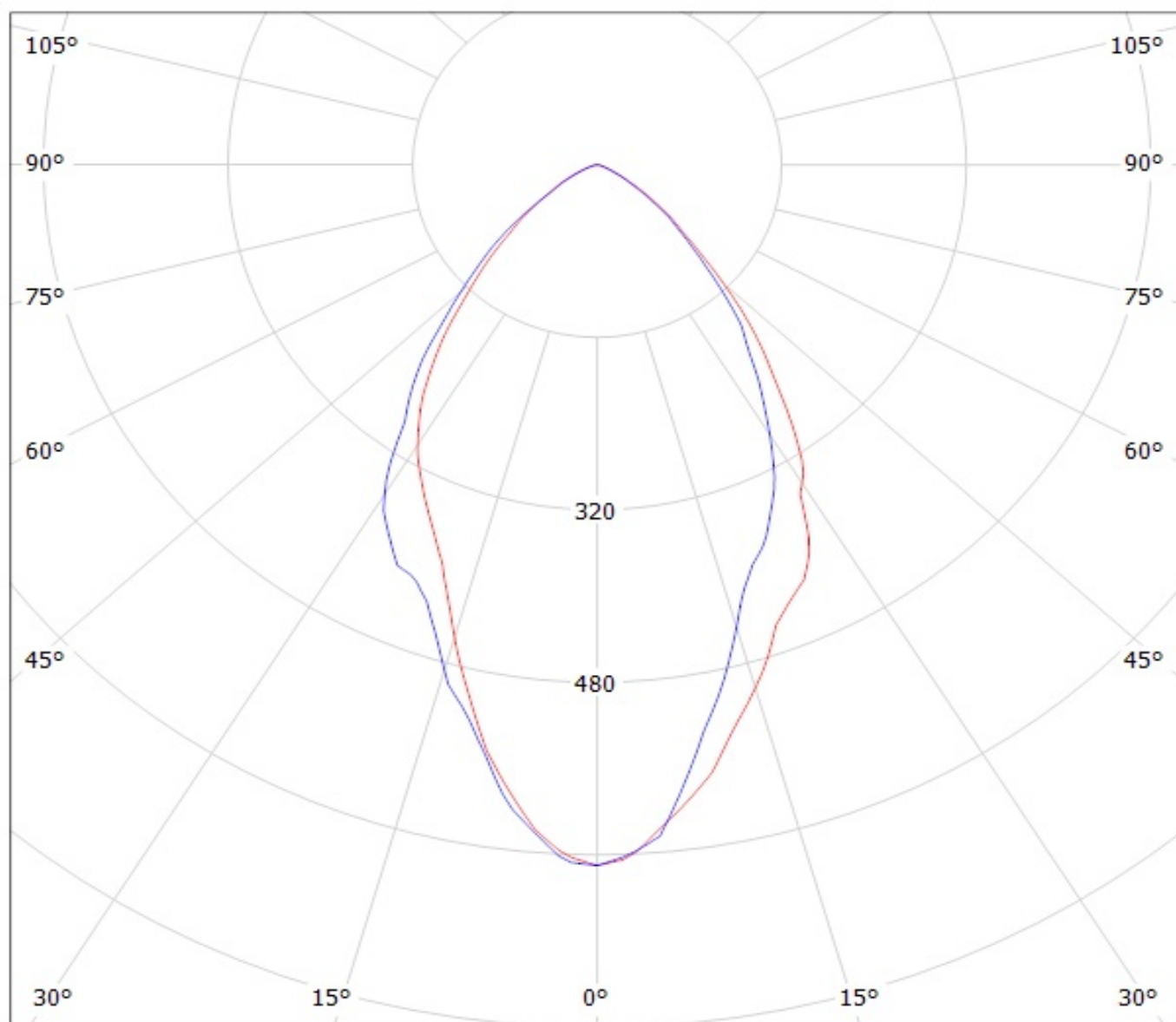
cd/klm

— C0 - C180

— C90 - C270

$\eta = 80\%$

Luminaire: Ledil Oy FP11957 & FP11958_LISA2-WWW (Osram Oslon 80 79lm @ 250mA) Efficiency=74%
Lamps: 1 x Osram Oslon 80 79lm @ 250mA



cd/klm

— C0 - C180

— C90 - C270