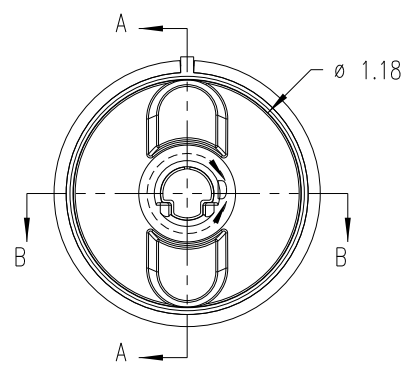
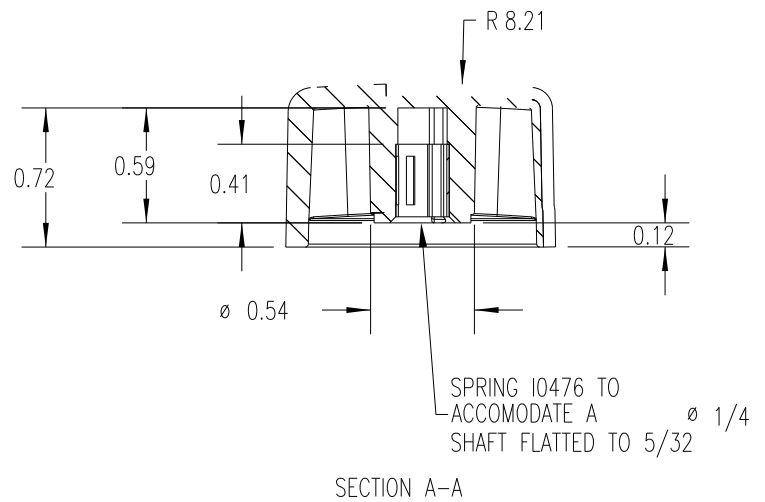
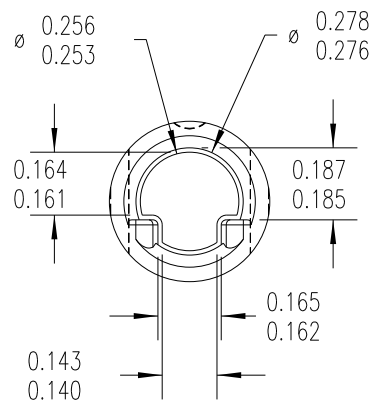
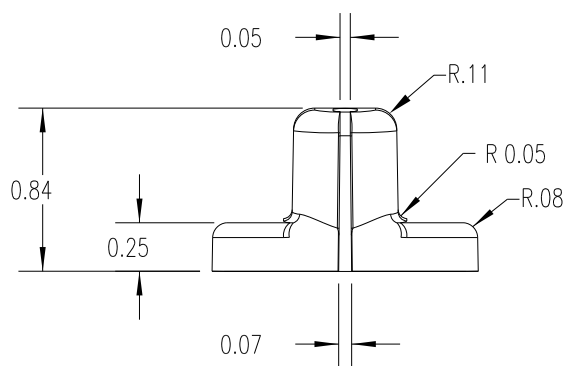
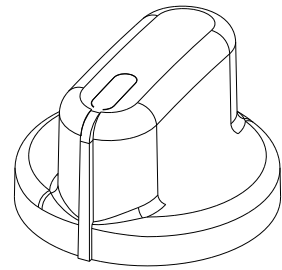
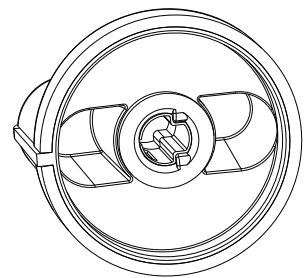
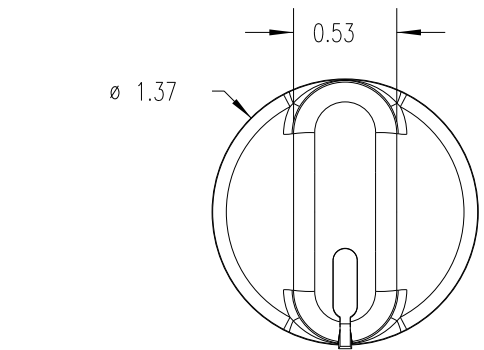


PART NAME: KNOB SCALE: 1:1 DATE: 7/8/04 DR. BY JAM

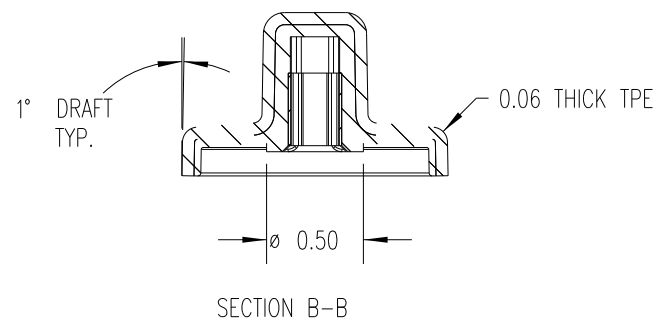
DAVIES MOLDING COMPANY  
CAROL STREAM, ILLINOIS 60188

P/N	1505-G
MOLD #	1505/1506/2813
CAVITY	1505
CORE	1505
PIN	1505-G
SPRING	I0476

THIS DRAWING IS THE PROPERTY OF DAVIES MOLDING COMPANY, IS SUBMITTED SOLELY AS A DESIGN OR ENGINEERING PROJECT.  
WE ACCEPT NO RESPONSIBILITY WHATSOEVER FOR THE PRACTICAL APPLICATION OF THE PIECES MADE TO THIS DESIGN.



DETAIL D  
SCALE 2 : 1  
MOLDING HOLE DETAIL



MATERIAL: POLYPROPYLENE (CLD)/TPE (TPE3)  
COLOR: WHITE/BLACK

TOLERANCES: UNLESS OTHERWISE SPECIFIED	DO NOT SCALE DRAWING			
DECIMALS: X.XXX ± .005 X.XX ± .015	MM: X.XX ± 0.15MM X.X ± 0.4MM	A	MOLD # WAS 1505	JAM 12/14/09
FRACTIONS ± 1/64	ANG. ± 1°	CHANGES		