

NOTE:

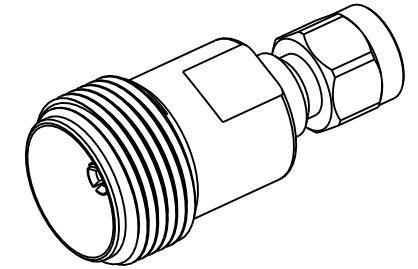
- 1. ELECTRIC PERFORMANCE
 - IMPEDANCE (Ω) : 50
 - FREQUENCY RANGE : DC-6GHz
 - VSWR : ≤ 1.065 (DC-3GHz)
 - : ≤ 1.2 (3-6GHz)
 - INSERT LOSS:(dB) : ≤ 0.1
 - INSERT RESISTANCE:($m\Omega$) : ≤ 5000
 - PIM(dBc) : ≤ -160 (2X43dBm)
 - PROOF VOLTAGE (V) : 1000
 - CONDUCTOR RESISTANCE ($m\Omega$) : OUTER CONDUCTOR <0.2
 - : INNER CONDUCTOR <2.5

- II. MECHANICAL PERFORMANCE
 - SMA NUT TORQUE : 0.9Nm
 - MECHANICAL WEAR : 500

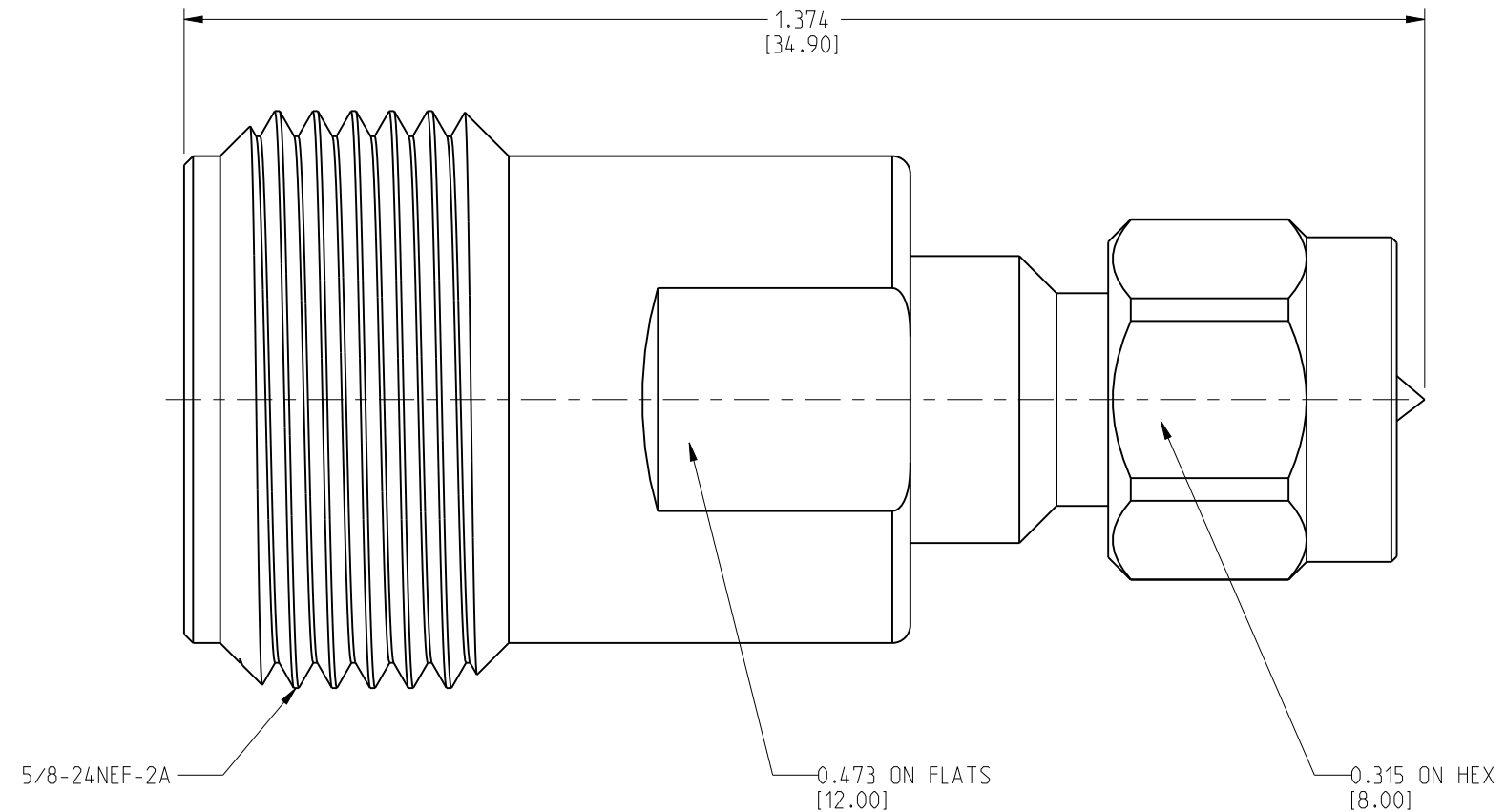
- III. MATERIAL AND PLATING
 - INNER CONDUCTOR : BRASS PLATING Ag5 μ m
 - OUTER CONDUCTOR : BRASS PLATING COPPER-TIN-ZINC 2 μ m
 - NUT : BRASS PLATING Ni5 μ m
 - INSULATOR : PTFE
 - ROHS COMPLIANT

- IV. ENVIRONMENT
 - TEMP RANGE : -55 $^{\circ}$ C TO +155 $^{\circ}$ C
 - WATERPROOF STANDARD : IP67
 - ROHS COMPLIANT

| | | | | | |
|-------------------|-----|----------------|-----------|-----|------|
| 242265 | | REVISIONS | | | |
| DRAWING NO. | REV | DESCRIPTION | DATE | ECO | APPR |
| THIRD ANGLE PROJ. | A | RELEASE TO MFG | 03-Oct-12 | -- | MG |



SCALE 1.500



| | | | | |
|----|-----------------|----------|--------------|-----|
| 4 | INSULATOR | PTFE | NATURAL | 1 |
| 3 | NUT | BRASS | NICKEL | 1 |
| 2 | INNER CONDUCTOR | BRASS | SILVER | 1 |
| 1 | OUTER CONDUCTOR | BRASS | WHITE BRONZE | 1 |
| NO | DESCRIPTION | MATERIAL | FINISH | QTY |

| | | | | | |
|---|-----------|--------------------|-------------------|---|--------------------|
| UNLESS OTHERWISE SPECIFIED, DIMENSIONS ARE IN INCHES AND TOLERANCES ARE: 2 PLACE DECIMAL ± 0.015 (0,381 mm) 3 PLACE DECIMAL ± 0.005 (0,127 mm) ANGLES $\pm 1^{\circ}$ | MATERIAL | DRAWN GOPI M | DATE 03-Oct-12 | TITLE N FEMALE TO SMA MALE ADAPTER, LOW PIM | Amphenol Connex |
| | REFERENCE | ENGINEER GOPI M | DATE 03-Oct-12 | | |
| NOTICE - These drawings, specifications, or other data (1) are, and remain the property of Amphenol Corp. (2) must be returned upon request; and (3) are confidential and not to be disclosed to any person other than those to whom they are given by Amphenol Corp. The furnishing of these drawings, specifications, or other data by Amphenol Corp., or to any other person to anyone for any purpose is not to be regarded by implication or otherwise in any manner licensing, granting rights or permitting such holder or any other person to manufacture, use or sell any product, process or design, patented or otherwise, that may in any way be related to or disclosed by said drawings, specifications, or other data. | | APPROVED | DATE | | |
| | | CAD FILE | DWG SIZE B | DRAWING NO. 242265 | SCALE: 5.0:1 |