

THIS DRAWING IS UNPUBLISHED. RELEASED FOR PUBLICATION 20
 © COPYRIGHT 20 BY - ALL RIGHTS RESERVED.

LOC		DIST		REVISIONS			
P	LTR	DESCRIPTION	DATE	DWN	APVD		
A		REVISED PER ECR-14-012230	12SEP2014	RS	DD		
A1		REVISED PER ECR-17-018430	28DEC2017	GCM	DD		

NOTES:

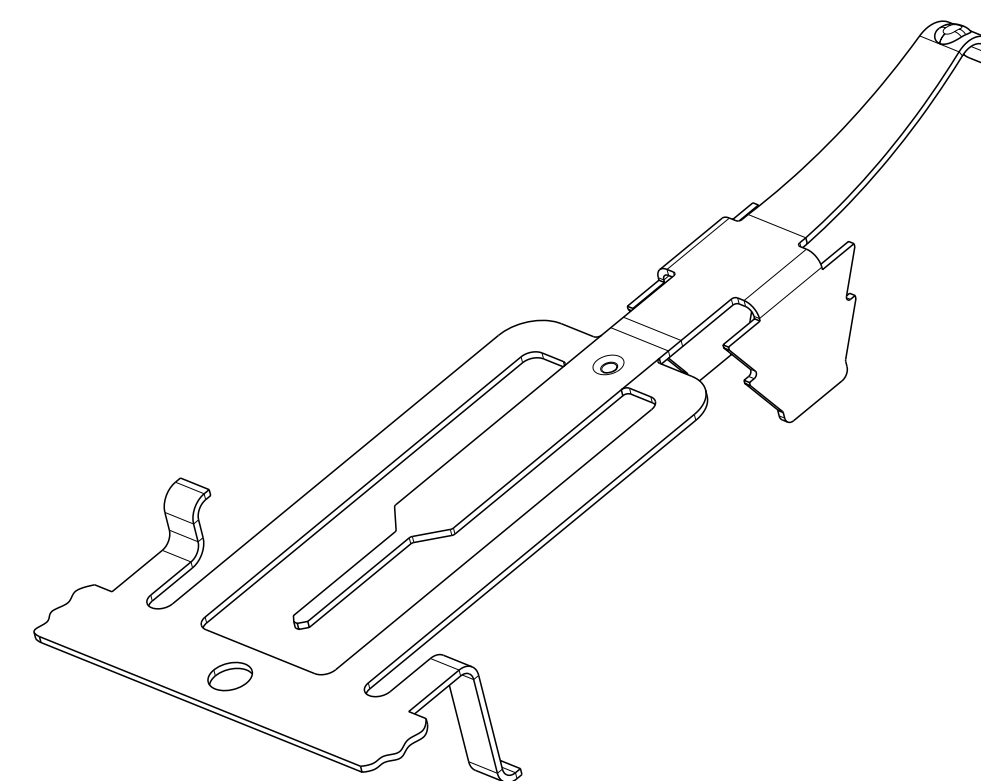
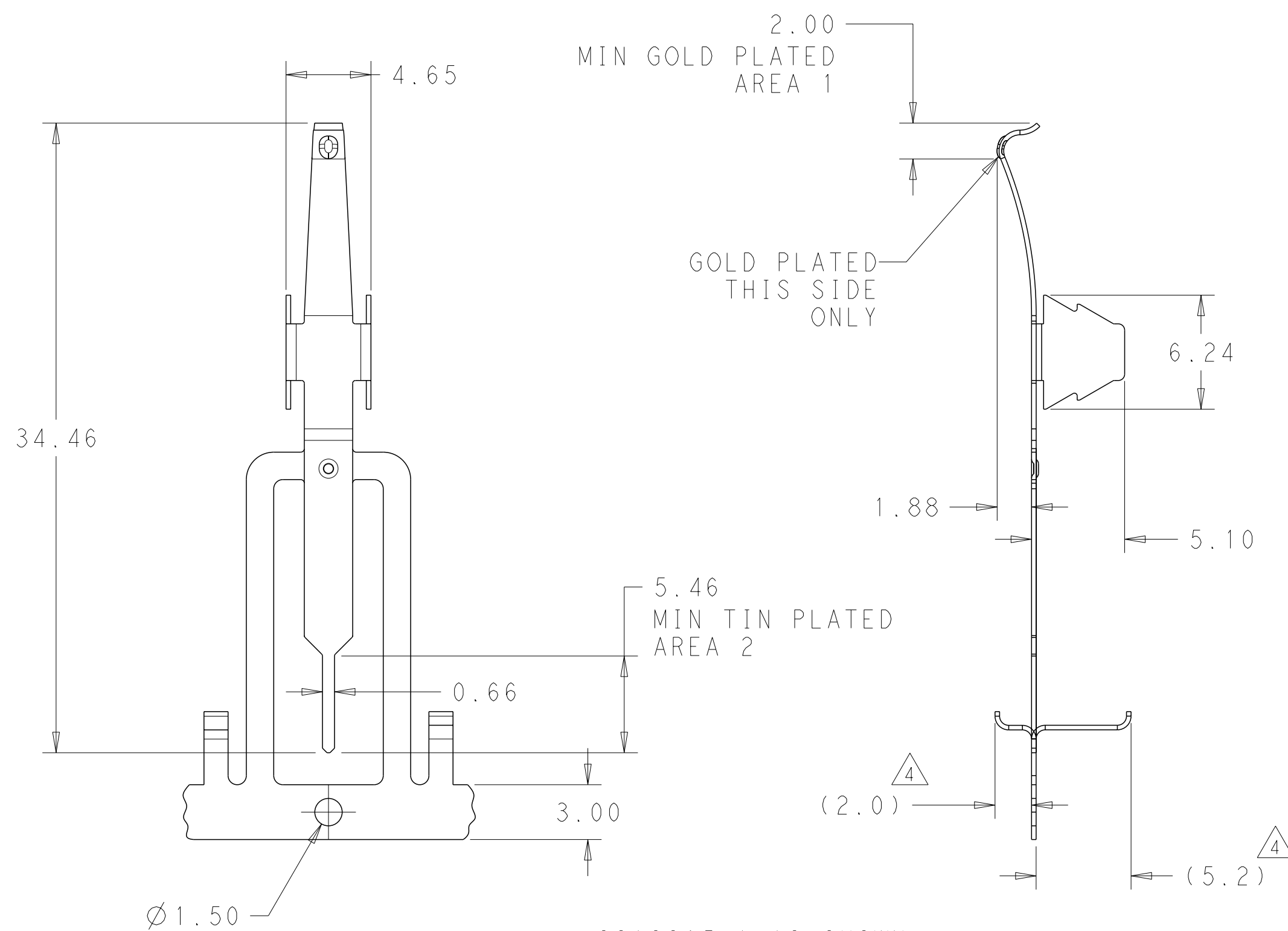
1. MATERIAL: COPPER ALLOY 0.254 THICK

FINISH: NICKEL UNDERPLATE ENTIRE
 CONTACT 0.127 μm MIN THICK.
 GOLD PLATED IN AREA 1 ON ONE
 SIDE ONLY 0.76 μm MIN THICK.
 MATTE TIN PLATED IN AREA 2
 3.0 μm MIN THICK

2 FINAL FORMING AND LOOSE PIECE OPERATIONS
 AS SHOWN ON SHEET 2 MUST BE PERFORMED
 BY CUSTOMER.

3. APPLICATION FEED IS 14.64.

4 CARRIER STRIP STANDOFFS PROVIDE
 PRODUCT PROTECTION DURING SHIPPING.



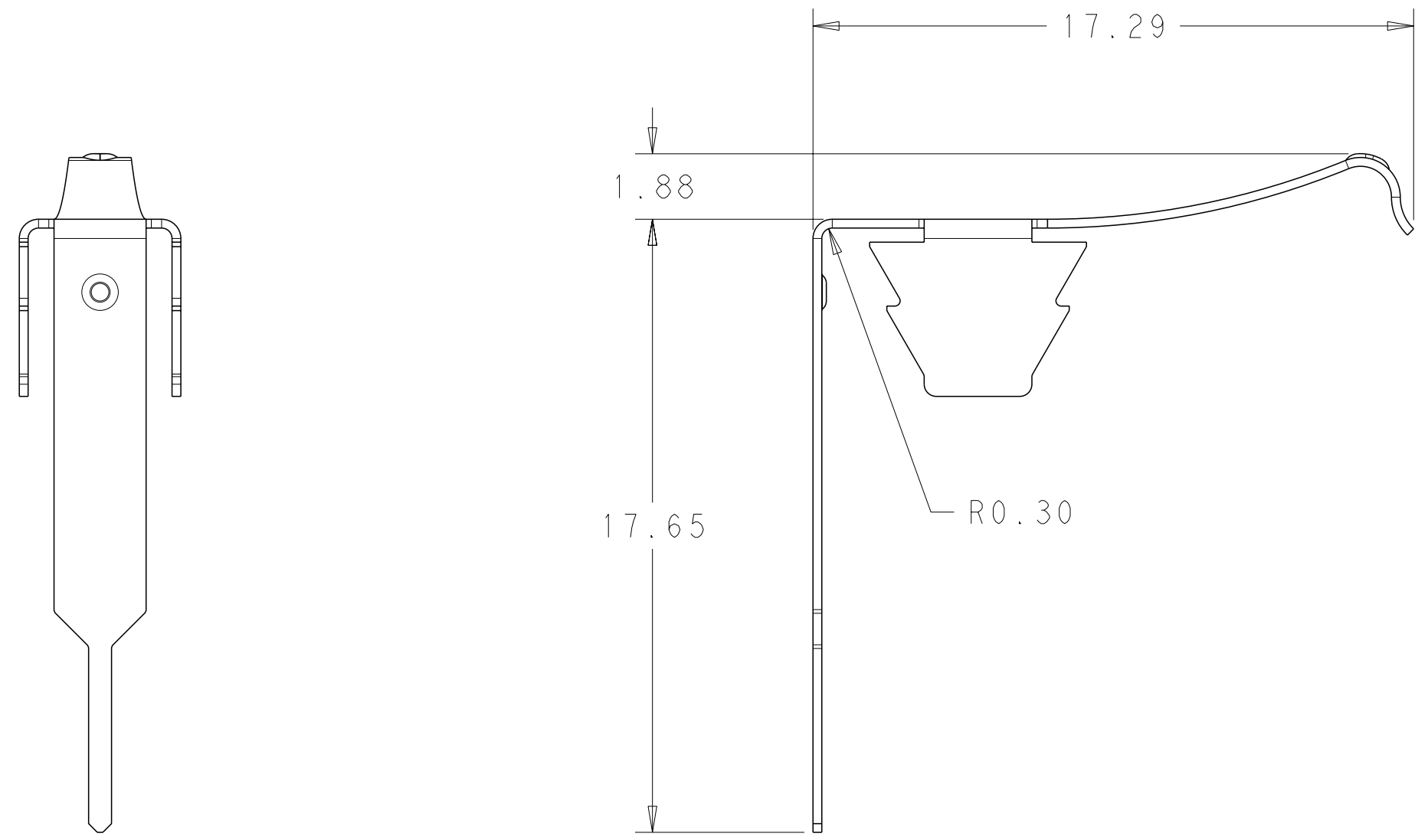
SCALE 4:1

AS SHOWN - ON STRIP	2213365-1
DESCRIPTION	PART NO.


THIS DRAWING IS A CONTROLLED DOCUMENT.		DWN	J. SHAFFER	26 JUN 2013	TE Connectivity	
DIMENSIONS:		CHK	E. HOWARD	26 JUN 2013	NAME	
mm		APVD	E. HOWARD	26 JUN 2013	DIMMABLE PHOTOCONTROL BRUSH CONTACT	
TOLERANCES UNLESS OTHERWISE SPECIFIED:		PRODUCT SPEC		SIZE		
0 PLC	±	-		CAGE CODE		
1 PLC	±	-		DRAWING NO		
2 PLC	±0.13	-		RESTRICTED TO		
3 PLC	±	-		A200779		
4 PLC	±	-		C-2213365		
ANGLES	±	-		SCALE 1:1		
FINISH	±	-		SHEET 1 OF 4		
MATERIAL	-	-		REV A1		
-		-		Customer Drawing		

THIS DRAWING IS UNPUBLISHED. RELEASED FOR PUBLICATION 20
 © COPYRIGHT 20 BY - ALL RIGHTS RESERVED.

LOC		DIST		REVISIONS			
P	LTR	DESCRIPTION	DATE	DWN	APVD		
-	-	SEE SHEET 1	-	-	-		

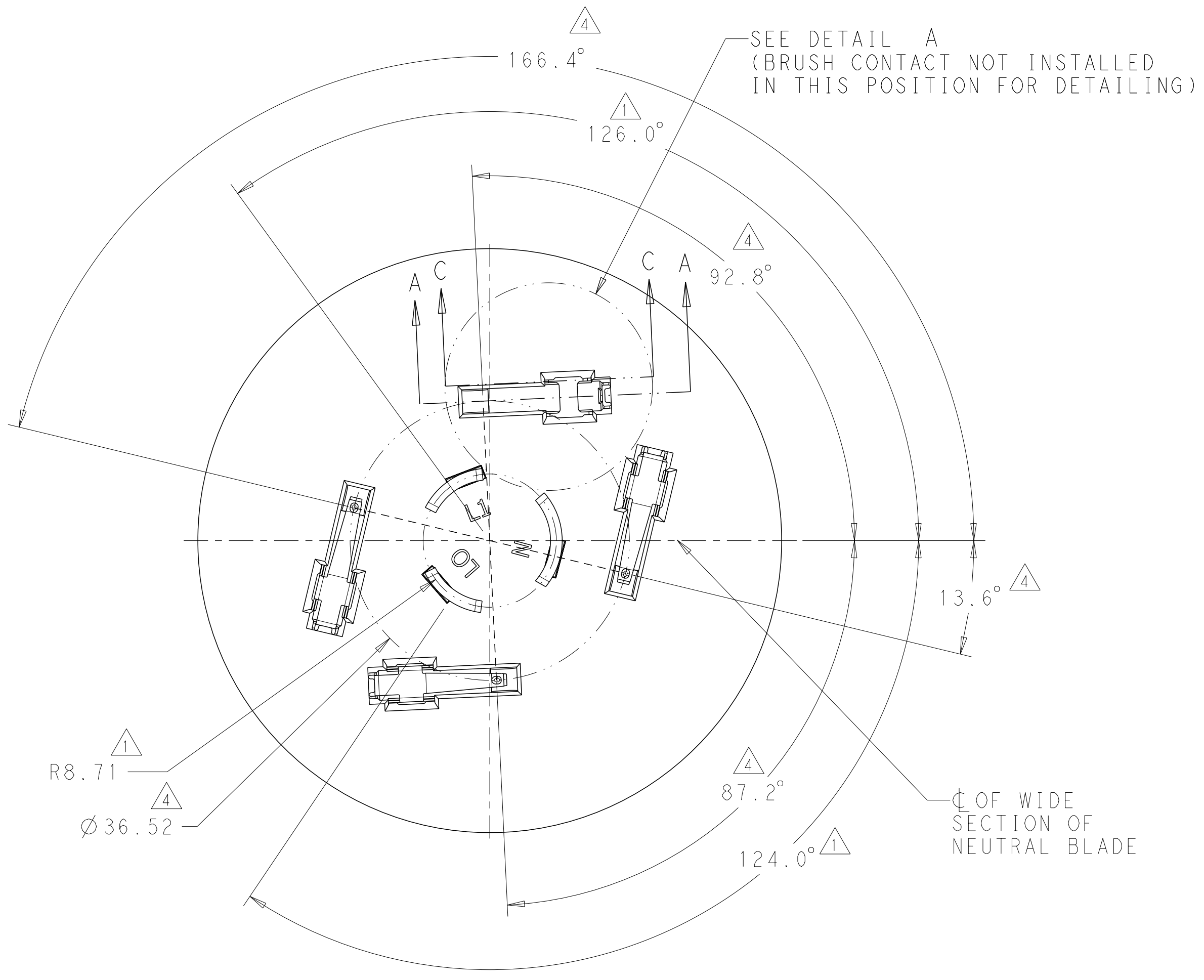


△
 RECOMMENDED FINAL FORMED
 LOOSE PIECE
 FINAL FORM AND LOOSE PIECE
 OPERATION MUST BE
 PERFORMED BY CUSTOMER

THIS DRAWING IS A CONTROLLED DOCUMENT.		DWN J. SHAFFER 26 JUN 2013	 TE Connectivity															
DIMENSIONS: mm		CHK E. HOWARD 26 JUN 2013																
TOLERANCES UNLESS OTHERWISE SPECIFIED:		APVD E. HOWARD 26 JUN 2013	NAME DIMMABLE PHOTOCONTROL BRUSH CONTACT															
<table border="0"> <tr><td>0 PLC</td><td>±</td></tr> <tr><td>1 PLC</td><td>±</td></tr> <tr><td>2 PLC</td><td>±0.13</td></tr> <tr><td>3 PLC</td><td>±</td></tr> <tr><td>4 PLC</td><td>±</td></tr> <tr><td>ANGLES</td><td>±</td></tr> <tr><td>FINISH</td><td>±</td></tr> </table>		0 PLC	±	1 PLC	±	2 PLC	±0.13	3 PLC	±	4 PLC	±	ANGLES	±	FINISH	±	PRODUCT SPEC -	SIZE A200779	CAGE CODE C-2213365
0 PLC	±																	
1 PLC	±																	
2 PLC	±0.13																	
3 PLC	±																	
4 PLC	±																	
ANGLES	±																	
FINISH	±																	
MATERIAL -	FINISH -	APPLICATION SPEC -	DRAWING NO -	RESTRICTED TO -														
Customer Drawing		WEIGHT -	SCALE 1:1	SHEET 2 OF 4														
		REV A1																

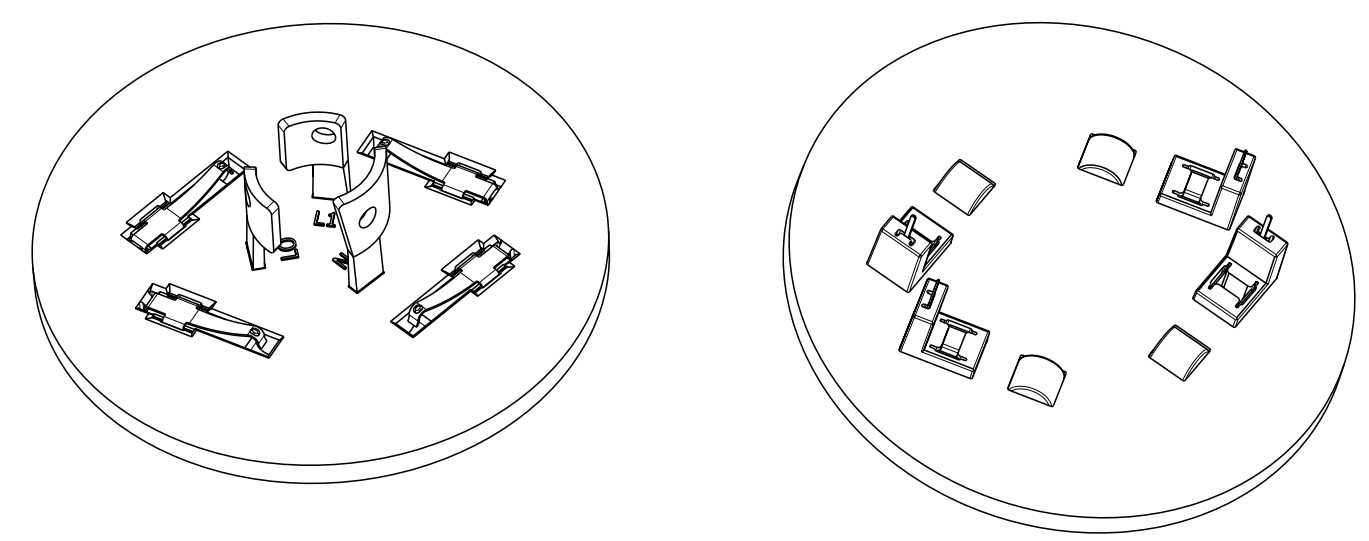
THIS DRAWING IS UNPUBLISHED. RELEASED FOR PUBLICATION 20
 © COPYRIGHT 20 BY - ALL RIGHTS RESERVED.

LOC		DIST		REVISIONS			
P	LTR	DESCRIPTION	DATE	DWN	APVD		
-	-	SEE SHEET 1	-	-	-		

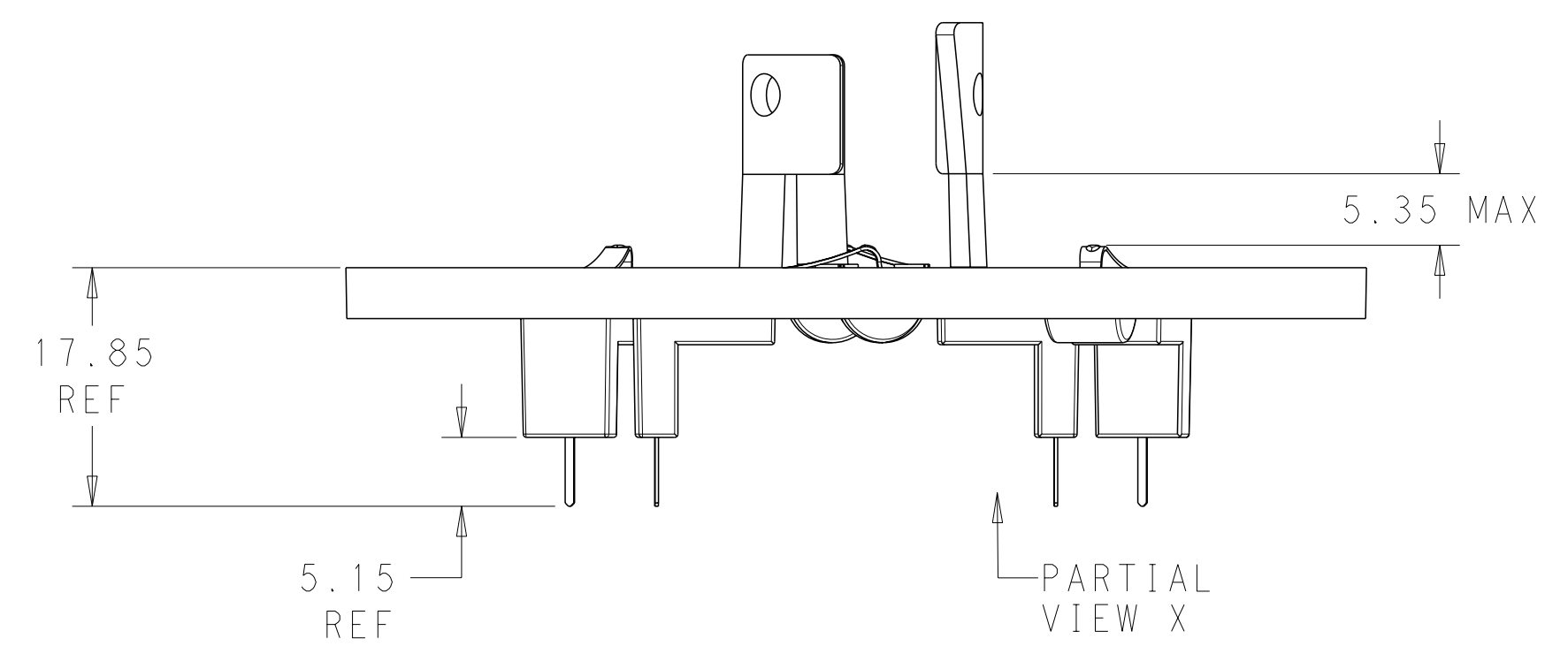


NOTES FOR BRUSH CONTACT POCKET DETAILS:

- 1. DIMENSIONS ARE PER ANSI C136.10
- 2. UNLESS OTHERWISE NOTED, ALL DIMENSIONS ARE ±0.127mm
- 3. UNLESS OTHERWISE NOTED, ALL ANGLES ARE ±0.5°
- 4. CIRCULAR AND ANGULAR POSITION FOR CONTACT POINT ON BRUSH CONTACT.
- 5. CUSTOMER MAY ROTATE BRUSH CONTACT POCKET PER THEIR PHOTOCELL DESIGN REQUIREMENTS, BUT BRUSH CONTACT POINT MUST BE POSITIONED AS SHOWN TO BE COMPATIBLE WITH ANSI C136.41-200X DIMMING RECEPTACLE.



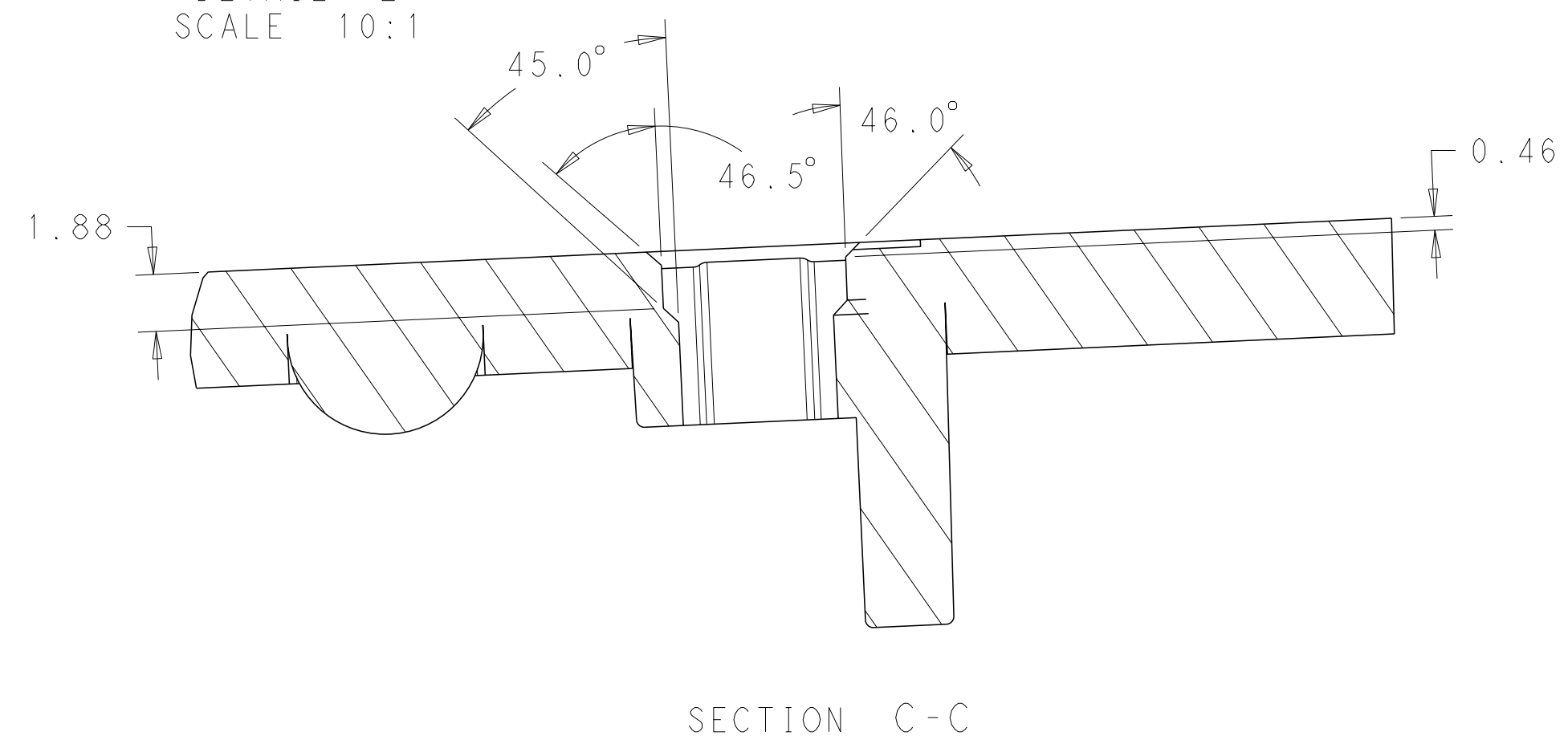
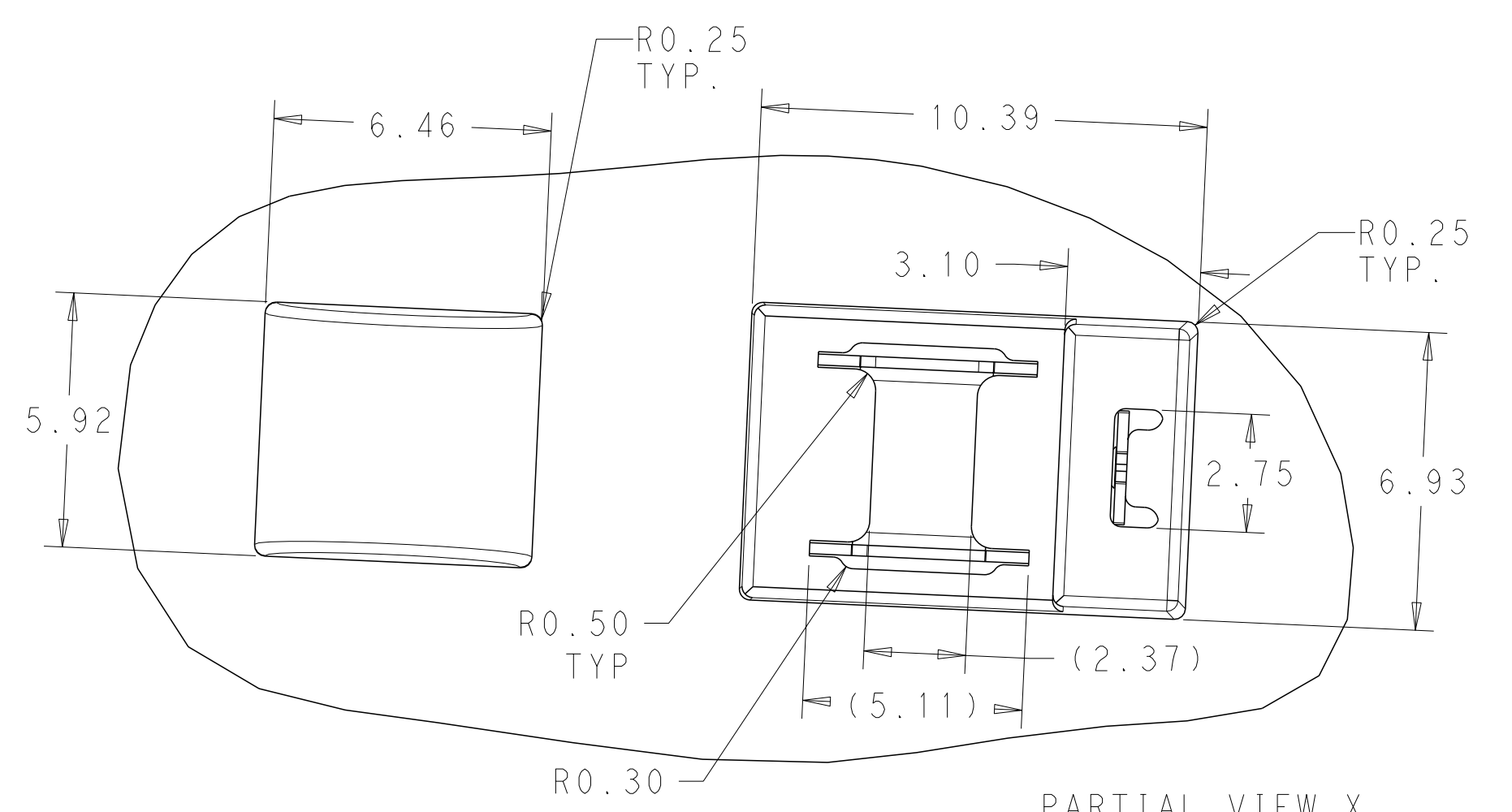
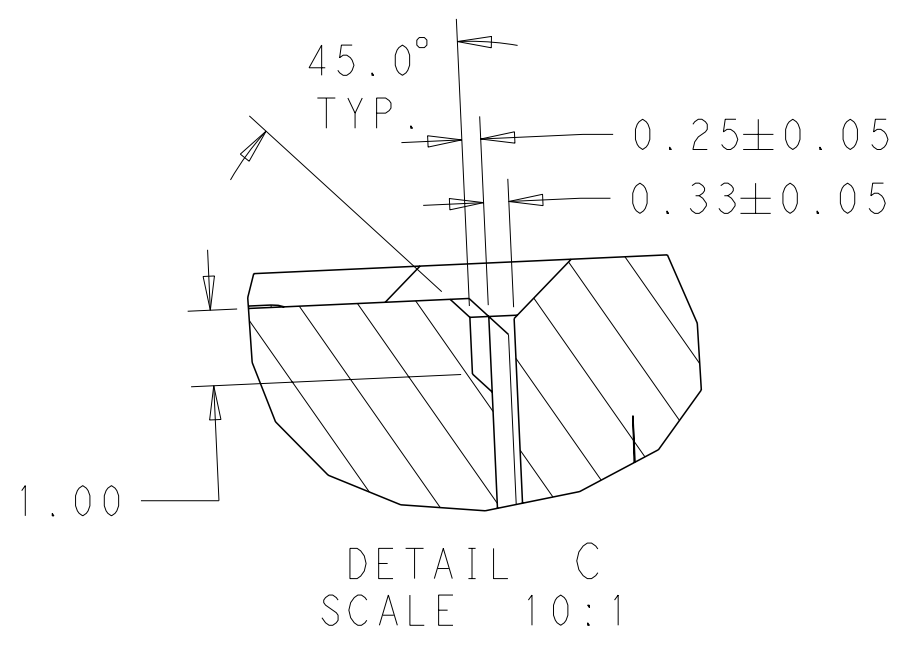
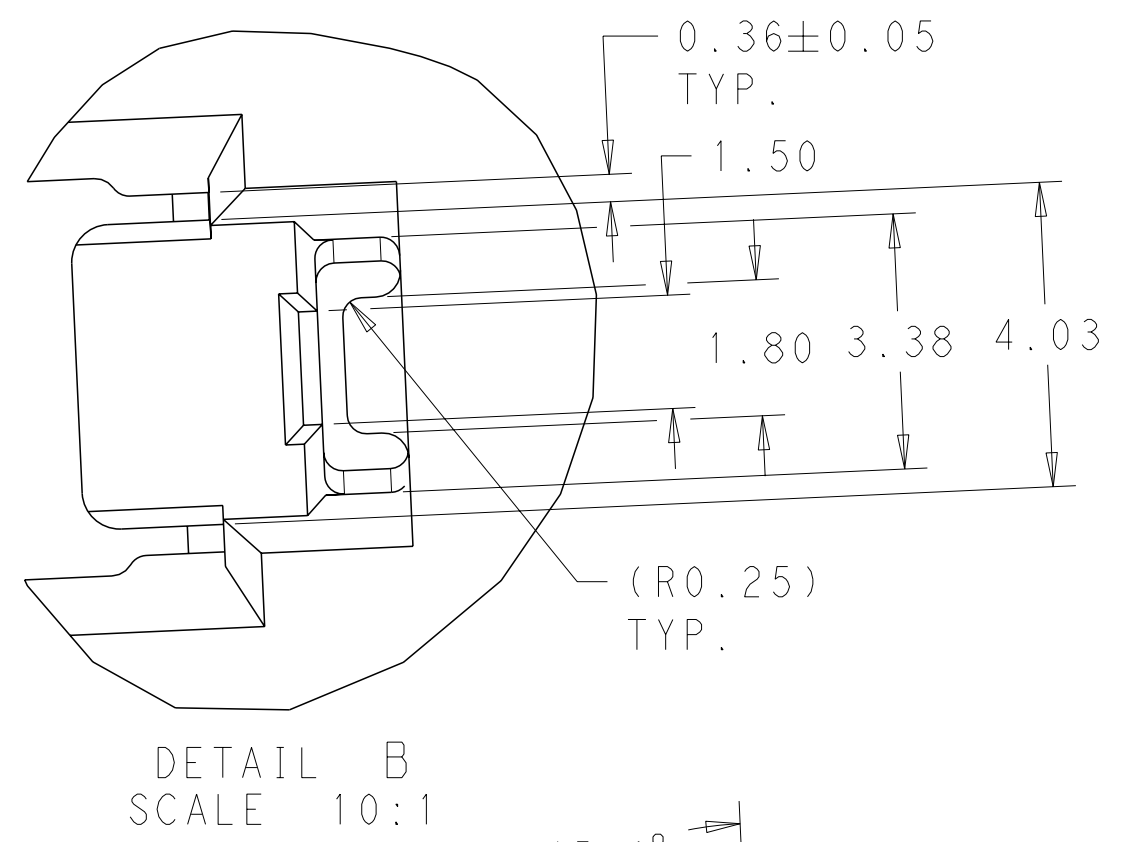
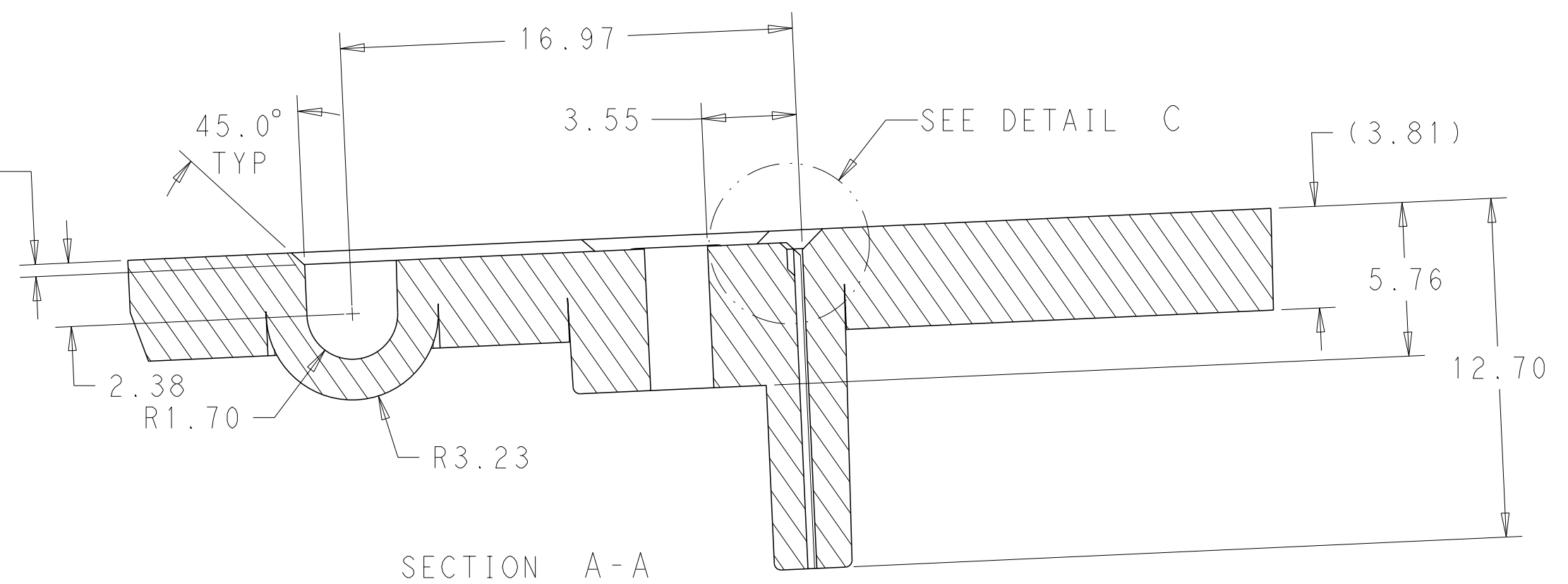
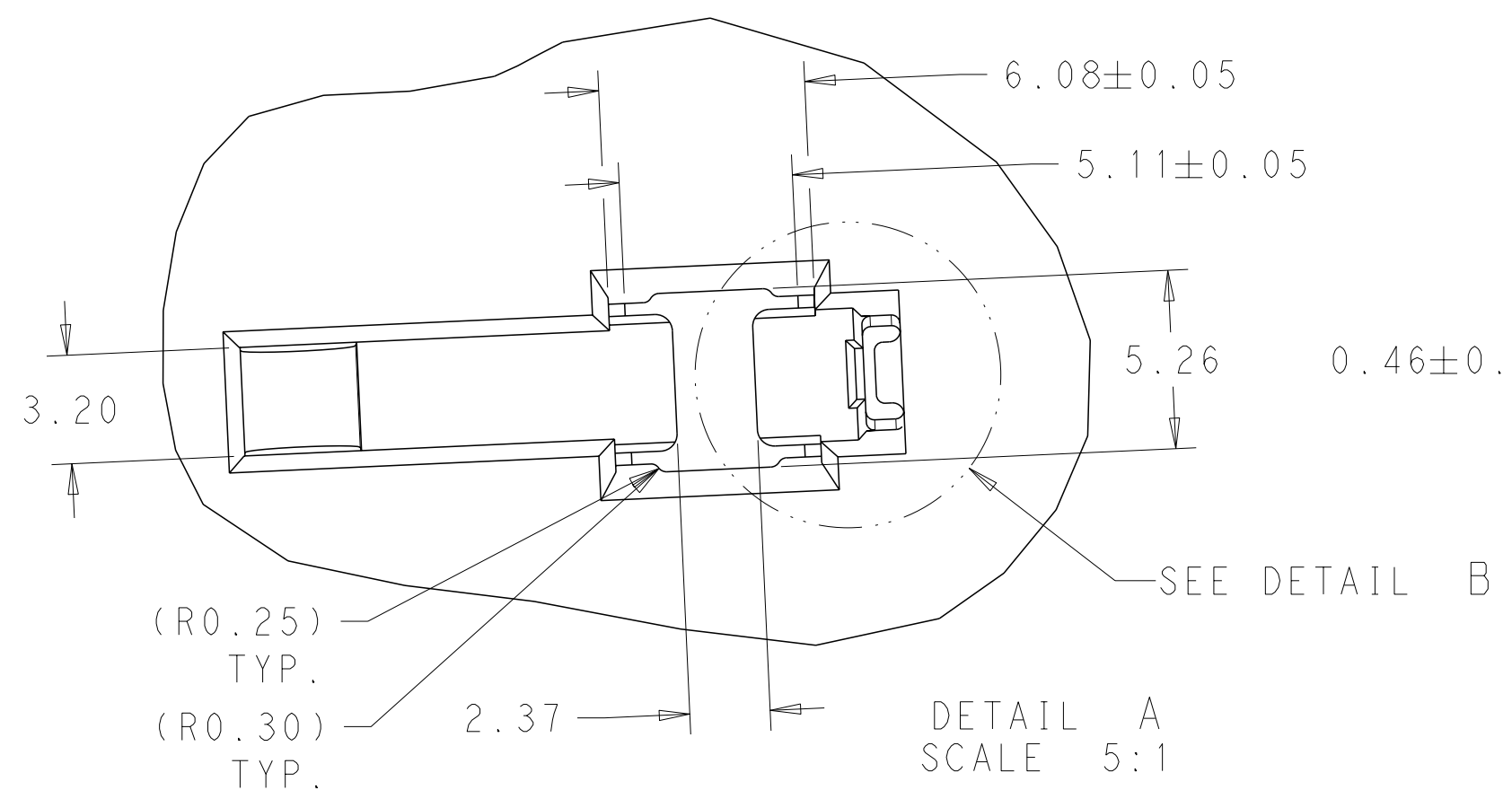
PHOTOCELL BRUSH CONTACT LOCATIONS AS SHOWN



THIS DRAWING IS A CONTROLLED DOCUMENT.		DWN J. SHAFFER 26 JUN 2013	TE Connectivity	
DIMENSIONS: mm		CHK E. HOWARD 26 JUN 2013		
TOLERANCES UNLESS OTHERWISE SPECIFIED:		APVD E. HOWARD 26 JUN 2013	NAME DIMMABLE PHOTOCONTROL BRUSH CONTACT	
0 PLC ±		PRODUCT SPEC	SIZE CAGE CODE DRAWING NO RESTRICTED TO	
1 PLC ±		APPLICATION SPEC	A200779 C-2213365	
2 PLC ±0.13		WEIGHT	SCALE 1:1 SHEET 3 OF 4 REV A1	
3 PLC ±		MATERIAL		
4 PLC ±		Customer Drawing		
ANGLES ±				
FINISH				

THIS DRAWING IS UNPUBLISHED. RELEASED FOR PUBLICATION 20
 © COPYRIGHT 20 BY - ALL RIGHTS RESERVED.

LOC		DIST		REVISIONS			
P	LTR	DESCRIPTION	DATE	DWN	APVD		
-	-	SEE SHEET 1	-	-	-		



SUGGESTED BRUSH CONTACT POCKET
 DETAIL AS SHOWN

PARTIAL VIEW X
 SCALE 7:1

SECTION C-C

THIS DRAWING IS A CONTROLLED DOCUMENT.		DWN J. SHAFFER 26 JUN 2013	TE Connectivity	
DIMENSIONS: mm		CHK E. HOWARD 26 JUN 2013		
TOLERANCES UNLESS OTHERWISE SPECIFIED:		APVD E. HOWARD 26 JUN 2013	NAME DIMMABLE PHOTOCONTROL BRUSH CONTACT	
0 PLC ± 1 PLC ± 2 PLC ±0.13 3 PLC ± 4 PLC ± ANGLES ± FINISH		PRODUCT SPEC -	SIZE A200779	CAGE CODE C-2213365
MATERIAL -		APPLICATION SPEC -	DRAWING NO -	RESTRICTED TO -
-		WEIGHT -	SCALE 1:1	SHEET 4 OF 4
-		Customer Drawing	REV A1	