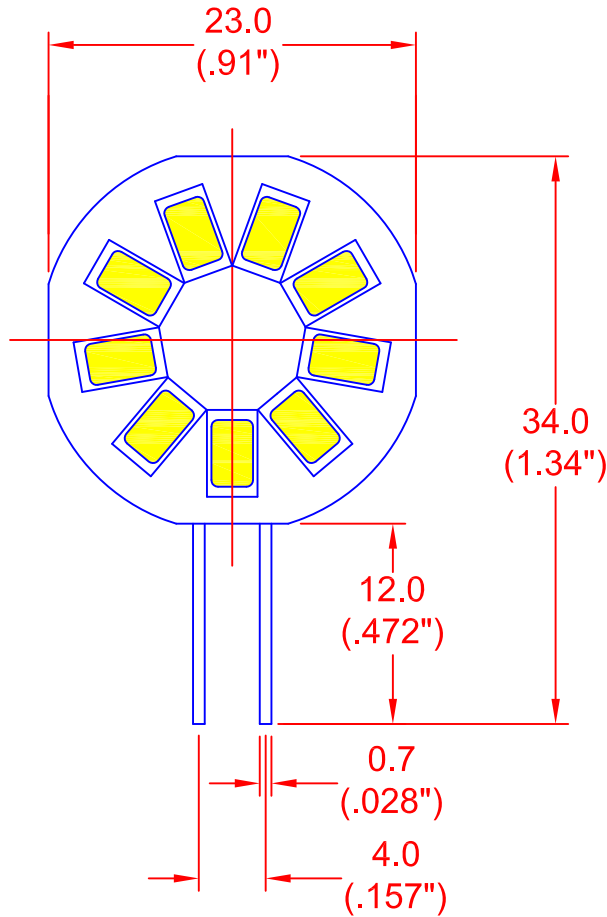


FEATURES

NON-POLARIZED
24V DC OPERATION
12V AC OR DC OPERATION
CRI = 80

REV.	DESCRIPTION/ECO NO.	DATE
	RELEASE AND CANCEL PL-1306-02	7/15/13



Absolute Maximum Rating at TA = 25°C

Parameter	Symbol	Absolute Maximum Rating	Unit
Forward Current	IF	125	mA
Power Dissipation	PD	1.65	W
Electrostatic Discharge	ESD	120	V
Operating Temperature	Topr	-20~+40	°C
Storage Temperature	Tstg	-20~+90	°C

Electrical/Optical Characteristics at TA = 25°C

Parameter	Symbol	Condition	Min	Typ	Max	Unit
Forward Current DC	IF	VF = 12V DC	--	125	--	mA
Recommend Forward Voltage	VF(rec) DC	--	10	12	30	V

JKL Part Number	Watts (W)	Light Output (lm)	Light Color (K)	Beam Angle (Degree)
Z-G4-9CW	1.5±10%	130±10%	6000K	120
Z-G4-9WW		120±10%	3000K	120

NOTE: OVERALL THICKNESS OF ASSEMBLY IS LESS THAN 10mm (.394").

ACCESSORIES

SOCKET: JKL 2993-G5
 2993-G6

<p>METRIC THIRD ANGLE PROJECTION</p>	DIMENSIONS ARE IN MILLIMETERS (INCH)		<h1>JKL COMPONENTS CORPORATION</h1>			
	TOLERANCE UNLESS OTHERWISE SPECIFIED 1 PL +/- REF. 2 PL +/- ANGLE +/- 0					
DRAWN BY L. WENGSTROM	APP'D BY L.R.	DATE 7/15/13	SIZE A	FSCM NO. 55335	DRAWING NO. Z-G4-9 MULTI	
- CAD DRAWING - MANUAL REVISIONS NOT PERMITTED			SCALE NONE	RELEASED DATE 7/15/13	REVISION DATE	REV. NO. SHEET 1 OF 1