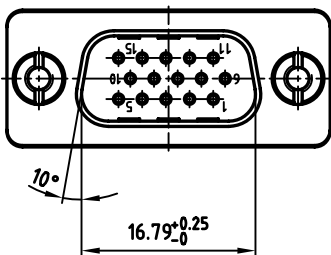
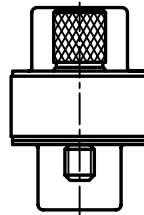
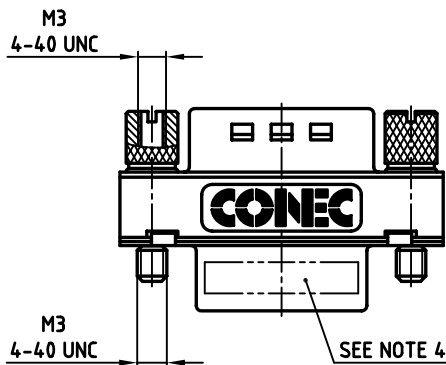
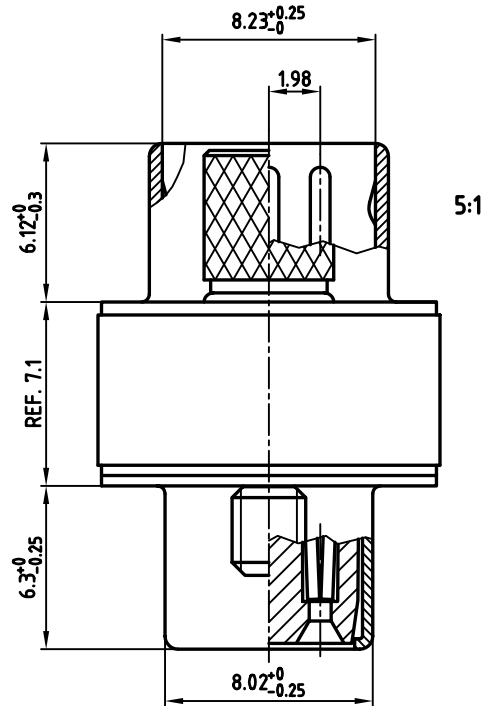
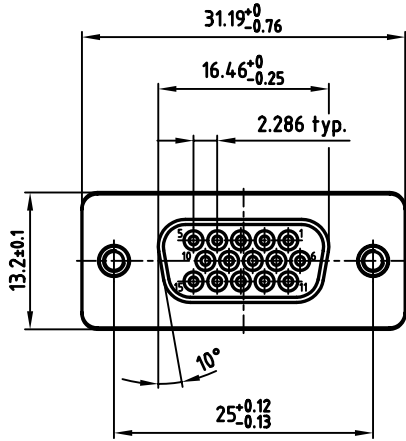


used for: D-SUB HD FILTER ADAPTER

		PART NO.	
FILTER	CAPACITANCE	M3	4-4.0 UNC
TYPE 1	180pF±20%	243811720X	243811600X
TYPE 3	370pF±20%	243811760X	243811640X
TYPE 4	830pF±20%	243811800X	243811680X



NOTES:

- METALSHELLS: STEEL; min. 315µm TIN over 40-80µm NICKEL
- INSULATORS: PBT GF UL 94 V-0, BLACK
- CONTACTS: COPPER ALLOY
PLATING: § USE A FOR QUALITY CLASS 3 (8µm HARD GOLD OVER min. 50µm NICKEL)
§ USE B FOR QUALITY CLASS 2 (20µm HARD GOLD OVER min. 50µm NICKEL)
§ USE C FOR QUALITY CLASS 1 (30µm HARD GOLD OVER min. 50µm NICKEL)
- CONNECTOR IS PART MARKED: PART-NO. CONEC ABC

Directive 2002/95 EC
RoHS
Compliant

APPROVAL # FREIGABE # DEBLOCAGE # AUTOR/ZACIION # APPROVAL	
CUSTOMER APPROVAL DATE:	
NAME:	TITLE:
COMPANY NAME:	
APPROVAL # FREIGABE # DEBLOCAGE # AUTOR/ZACIION # APPROVAL	

THIS DRAWING MAY NOT BE COPIED OR REPRODUCED IN ANY WAY, AND MAY NOT BE PASSED ON TO A THIRD PARTY WITHOUT WRITTEN PERMISSION.
OWNERSHIP AND COPYRIGHT OF CONEC GmbH
DO NOT ALTER CAD DRAWING BY HAND

rev.	description	date	name
1 x b	Ä 2535	18.07.2006	Lehmen
a	Origin		

tolerance		dim. in mm	scale: 2:1 (5:1)	
			material: SEE NOTES	
1997	date	name	title:	
drawn	28.01.	Barcinski	D-SUB HD FILTER ADAPTER	
appd.	28.01.	Mickenbecker	15pos.	
norm	DIN 41652		dwg no: AutoCAD 2006	
d-old			DIN-A	
part no: 24K11P7A			3	
part no: SEE TABLE			sh: 1/1	



APPROVAL # FREIGABE # DEBLOCAGE # AUTOR/ZACIION # APPROVAL	
CUSTOMER APPROVAL DATE:	
NAME:	TITLE:
COMPANY NAME:	
APPROVAL # FREIGABE # DEBLOCAGE # AUTOR/ZACIION # APPROVAL	