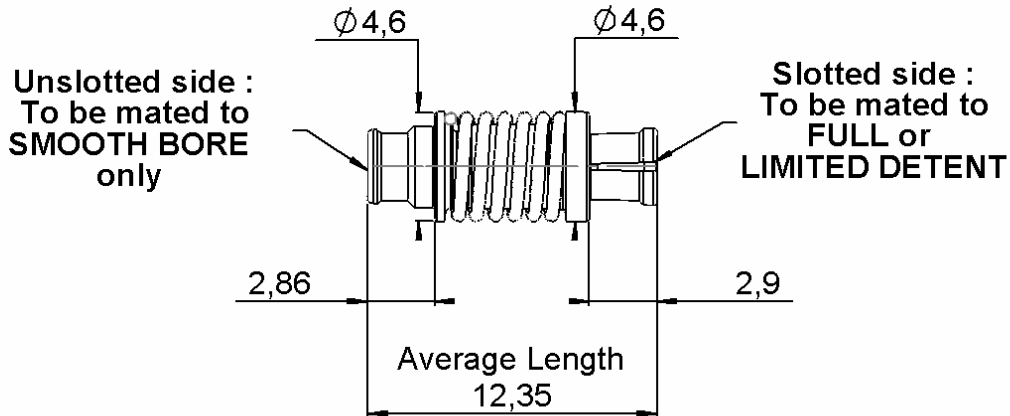


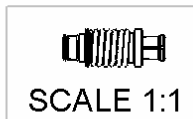
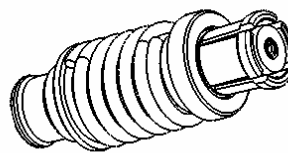
FEMALE FEMALE ADAPTOR
SPRING LOADED

R222.723.110

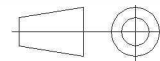
Series : SMP



- 1 - Pre-load - No compression
Overall length L = 12.98 mm
Pre-load = 9 N mini
- 2 - Maximum Compression = 1.27 mm
Overall length L = 11.71 mm
Load F = 13.6 N max



All dimensions are in mm.



COMPONENTS	MATERIALS	PLATING (µm)
BODY	BRONZE	NPGR
CENTER CONTACT	BERYLLIUM COPPER	GOLD 1.27 OVER NICKEL 1.27
OUTER CONTACT	BERYLLIUM COPPER	GOLD 1.3 OVER NICKEL 2
INSULATOR	PEI	
GASKET	-	PASSIVATED
SPRING	STAINLESS STEEL	-
-	-	-
-	-	-

Issue : 1206 C

In the effort to improve our products, we reserve the right to make changes judged to be necessary.



FEMALE FEMALE ADAPTOR

R222.723.110

SPRING LOADED

Series : SMP

PACKAGING

SPECIFICATION

Standard	Unit	Other
100	'W' option	Contact us

ELECTRICAL CHARACTERISTICS

ENVIRONMENTAL

Impedance	50	Ω
Frequency	0-18	GHz
VSWR	1.35* + 0,0000	x F(GHz) Maxi
Insertion loss	0.12	\sqrt{F} (GHz) dB Maxi
RF leakage	- (NA)	- F(GHz)) dB Maxi
Voltage rating	350	Veff Maxi
Dielectric withstanding voltage	500	Veff mini
Insulation resistance	5000	M Ω mini

Operating temperature	-65/+85	$^{\circ}$ C
Hermetic seal	NA	Atm.cm3/s
Panel leakage	NA	

OTHER CHARACTERISTICS

Assembly instruction

Others :

* VSWR : 1.2 Max at 12GHz

MECHANICAL CHARACTERISTICS

Center contact retention		
Axial force – Mating end	6.7	N mini
Axial force – Opposite end	6.7	N mini
Torque	NA	N.cm mini
Recommended torque		
Mating	NA	N.cm
Panel nut	NA	N.cm
Mating life	1000	Cycles mini
Weight	0,6700	g

Issue : 1206 C

In the effort to improve our products, we reserve the right to make changes judged to be necessary.

