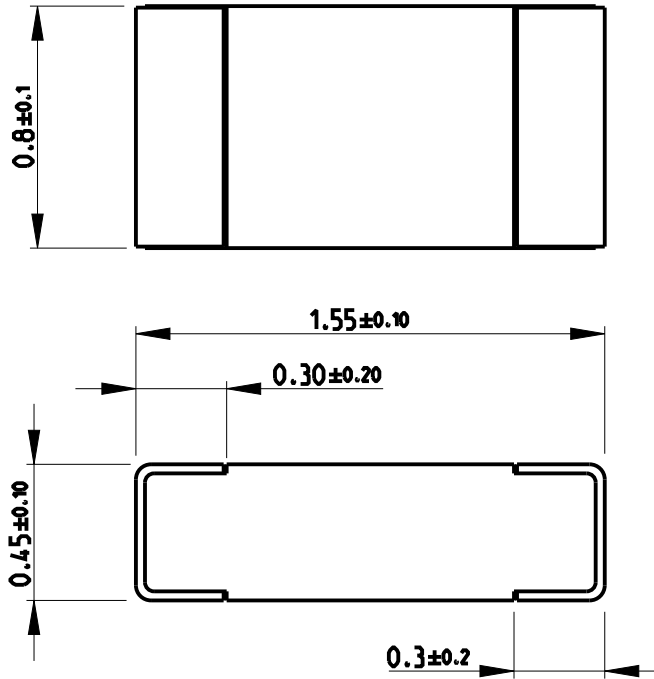


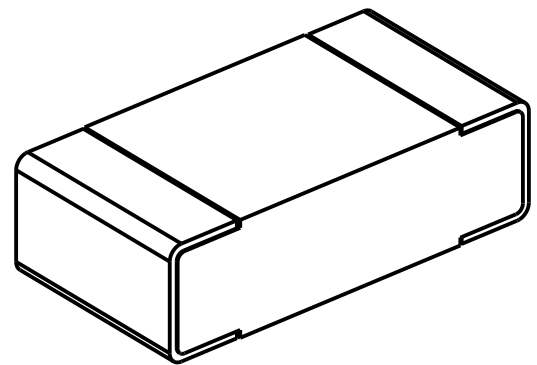
REVISIONS

| P | LTR | DESCRIPTION | DATE | DWN | APVD |
|---|-----|---------------|-----------|-----|------|
| | BA1 | ECR-14-009193 | 19JUN2014 | KR | TN |

FOR FURTHER INFORMATION SEE DATA SHEET FOR
CPF SERIES-THIN FILM PRECISION CHIP RESISTORS



RoHS Compliant



2008


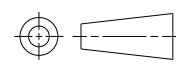
RELEASED FOR PUBLICATION

ALL RIGHTS RESERVED.

BY -

© COPYRIGHT 2008

THIS DRAWING IS UNPUBLISHED.

| | | | | |
|---|--|--------------------------------|--|---------------|
| DIMENSIONS: mm | | DWN SUBHASH.M 29-Sep-08 | MATERIAL | FINISH |
| TOLERANCES UNLESS OTHERWISE SPECIFIED: | | CHK PRAKASH.S 29-Sep-08 |  TE TE Connectivity | |
| 0 PLC ±0.2 | | APVD STEPHEN.P 29-Sep-08 | | |
| 1 PLC ±0.1 | | PRODUCT SPEC | NAME THIN FILM PRECISION CHIP RESISTORS | |
| 2 PLC ± | | APPLICATION SPEC | SERIES CPF 0603 | |
| 3 PLC ± | | WEIGHT | SIZE | CAGE CODE |
| 4 PLC ± | | | A 4 | 00779 |
| ANGLES 5° | | | DRAWING NO | RESTRICTED TO |
|  | | | C-1879334 | - |
| Customer Drawing | | | SCALE | SHEET |
| | | | 40:1 | 1 OF 1 |
| | | | REV | BA1 |