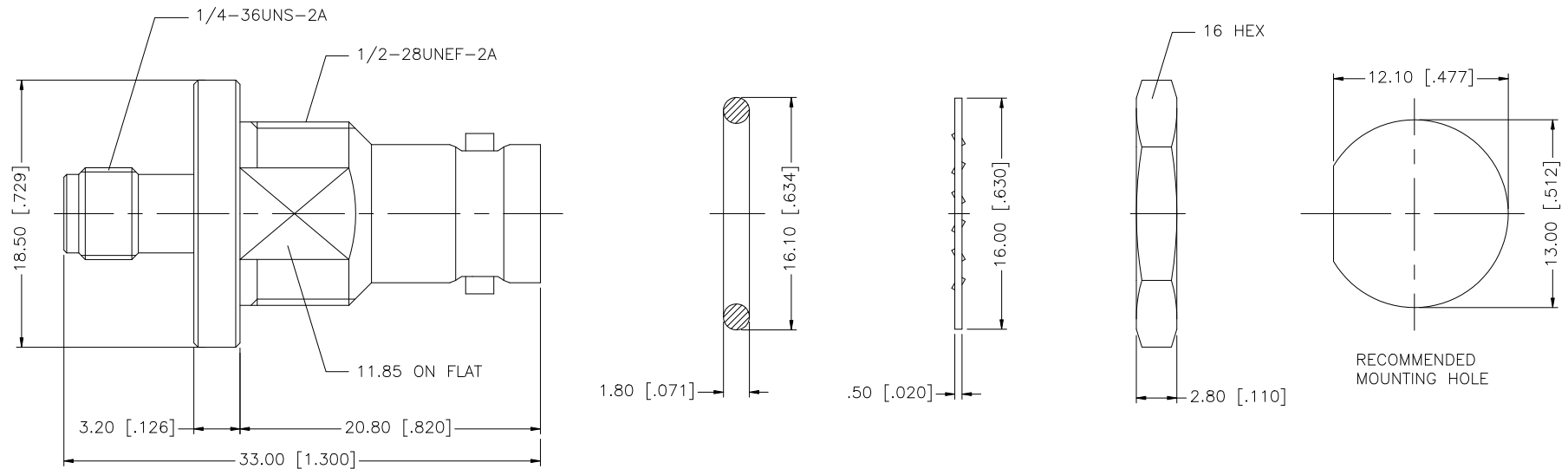


REV.	DATE	ECR NO.	DESCRIPTION
NC	12/04/08	-	INITIAL RELEASE



QTY	DESCRIPTION	MATERIAL	FINISH
1	BODY	BRASS	NICKEL
1	INSULATOR	PTFE	NATURAL
3	CONTACT PIN	BER. COPPER	GOLD
4	GASKET	SILICONE	RED
5	LOCK WASHER	BRASS	NICKEL
6	HEX NUT	BRASS	NICKEL

UNLESS OTHERWISE SPECIFIED DIMENSIONS ARE IN MILLIMETERS. DIMENSIONS IN [] ARE IN INCHES AND FOR CUSTOMER REFERENCE ONLY.

UNLESS OTHERWISE SPECIFIED TOLERANCES FOR MILLIMETERS ARE:
0.5 - 8mm ± 0.20mm
8 - 30mm ± 0.40mm
30 - 120mm ± 0.50mm

UNLESS OTHERWISE SPECIFIED TOLERANCES FOR INCHES ARE:
.020 - .315 = ± 0.007"
.315 - 1.180 = ± 0.015"
1.180 - 4.724 = ± 0.020"

DO NOT SCALE DRAWING

APPROVALS	DATE
DRAWN GRS	12/04/08
CHECKED	
ISSUED	
SHEET 1 OF 1	
CAD FILE	C:/242/242181-10.DWG

Amphenol Connex

PART DESCRIPTION
SMA JACK TO BNC BULKHEAD JACK ADAPTER

PART NO. **242181-10**

DWG. NO. 242181-10.DWG	REV. NC	SIZE A	SCALE NA
------------------------	---------	--------	----------