

Part number description :

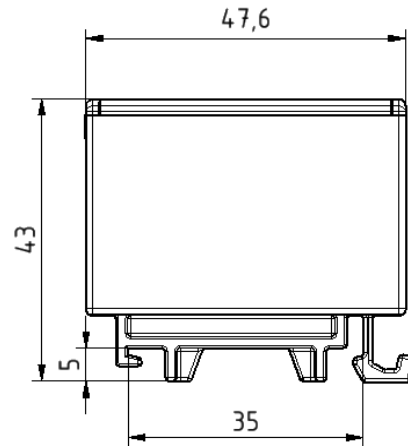
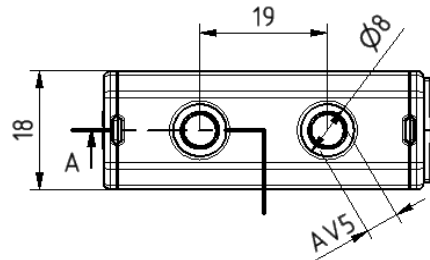
10134323-XXXLF

- ▶ LF: Lead Free, RoHs compliant, see note
- ▶ XXX : Color ref or/and version

PN	Colour	Version
10134323-001LF	grey	(A)
10134323-002LF	blue	(A)
10134323-003LF	yellow-green	(A)

TECHNICAL DATA / DIMENSIONS

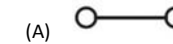
Dimensions	
Width mm	18.0
Length mm	47.6
Height mm	38.0
Mounting type (EN 60715)	Omega TH35
Technical data	
Maximum load current	Cu 160A Al 145A
Insulating material	PA
Self-extinguishing degree acc. to UL94	V2
Nominal Voltage	1000V
Nominal Current	160A
Connection data	
Conductor cross-section solid min/max	1.5 / 50 mm <sup>2</sup>
Stripping length	max 15 mm
Screw – recessed Allen screw	M10 – SW5
Tightening torque: 1.5-2.5 mm <sup>2</sup>	1.5 Nm
Tightening torque: 4-10 mm <sup>2</sup>	5 Nm
Tightening torque: 16-50 mm <sup>2</sup>	10 Nm



APPROVALS

UL1059  
600V – Cu150A / Al 120A

EN60947-7-1  
1000V – Cu160A / Al145A



Note : THIS PRODUCT MEETS EUROPEAN UNION DIRECTIVES AND OTHER COUNTRY REGULATIONS AS PER GS-47-0004

ACCESSORIES

Item	Description
<b>DIN RAIL system - Mounting and Installation material</b>	
10134392-001LF	Steel Omega Rail TH35x7,5mm -2mt length
10134393-001LF	Slotted Steel Omega Rail TH35x7,5mm -2mt length
10134394-001LF	Steel Omega Rail TH35x15mm -2mt length
10134395-001LF	Slotted Steel Omega Rail TH35x15mm -2mt length
10134387-001LF	Angled support bracket
10134389-001LF	End Bracket for TH35 Omega rail -Width 9mm
10134390-001LF	End Bracket for TH35 Omega rail -Width 6mm

spec ref	dr	Aymeric Soudy	29-06-2015	projection	size	A3	scale	
tolerance std	eng	Aymeric Soudy	29-06-2015			ecn no	size out of scale	rel level
ISO 406 ISO 1101	chr							
surface ✓ ISO 1302	appr	Aymeric Soudy	29-06-2015	product family	DIN Terminal Block			
	linear	0.X	± 0.3		title SCREW Terminal block Higt current 50	no dwg no 10134323	rev A	
	0.XX	± 0.1						
	0.XXX	± 0.05						
	angular	0°	± 2°	www.fcicon	cat. no.	-	Product customer drawing	sheet 1 of 1