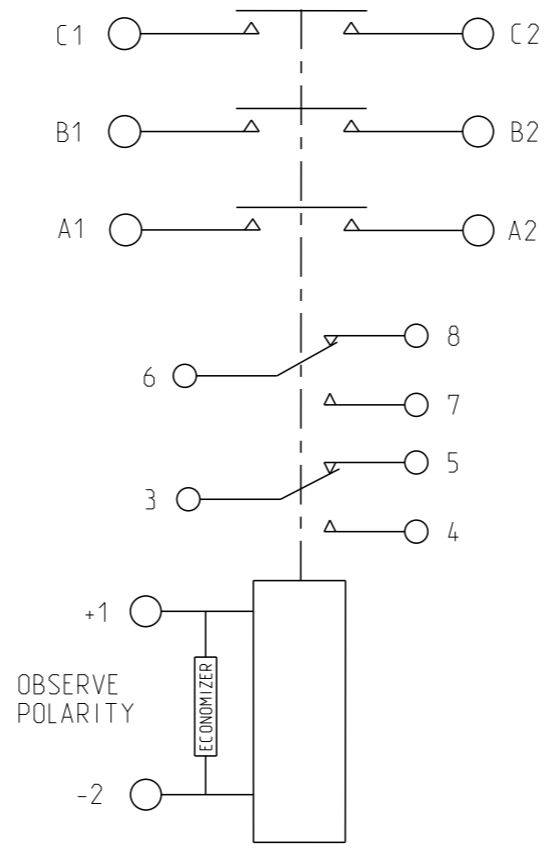
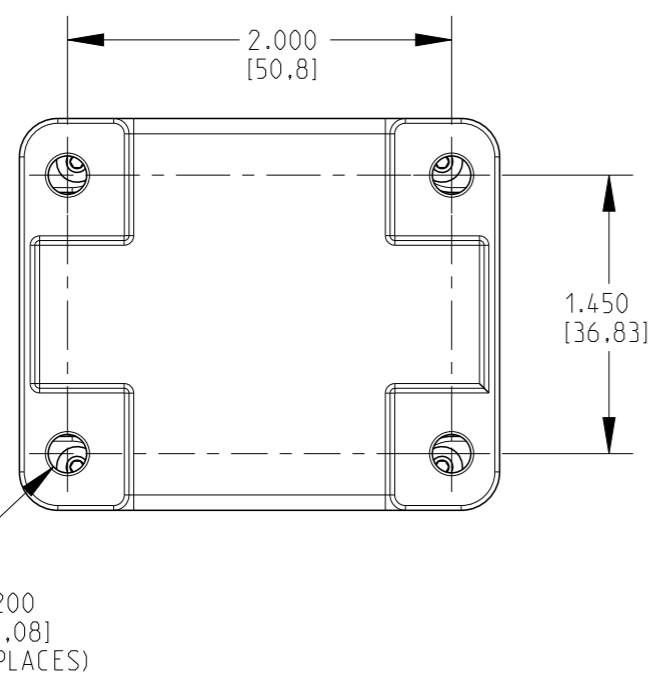
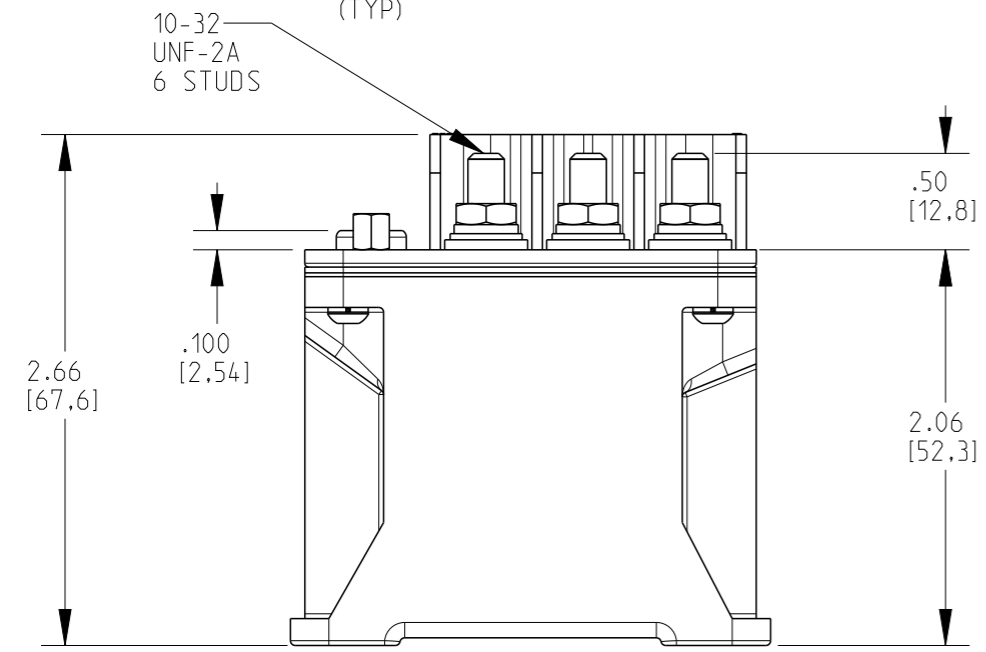
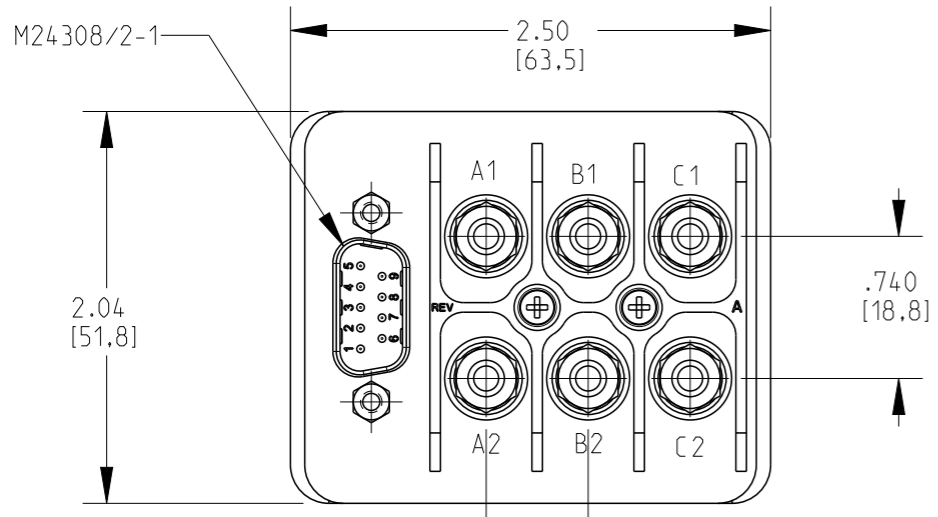


THIS DRAWING IS UNPUBLISHED. RELEASED FOR PUBLICATION 20
 © COPYRIGHT 20 BY - ALL RIGHTS RESERVED.

REVISIONS					
P	LTR	DESCRIPTION	DATE	DWN	APVD
	A	RELEASED TO PROD FROM REV. 4	17DEC2018	RV	DH



CONNECTOR PIN CONFIGURATION

CONSTRUCTION	GASKET SEALED
ELECTRICAL CHARACTERISTICS	
MAIN CONTACT CONFIGURATION	3 SPST N.O. DOUBLE MAKE
VOLTAGE	115 VAC, 400HZ
CURRENT RESISTIVE	60 AMPS
AUXILIARY CONTACTS CONFIGURATION	2 SPDT
VOLTAGE	28 VDC
CURRENT	2 AMPS
COIL DATA	
DUTY CYCLE	CONTINUOUS (ECONOMIZED)
NOM. OPERATE VOLTAGE	28 VDC
PICKUP VOLTAGE	18 VDC MAX (INSTANTANEOUSLY)
DROP VOLTAGE	1-9 VDC
PICKUP TIME	15 mS @28VDC
DROPOUT TIME	15 mS @28VDC
COIL CURRENT	
INRUSH	5 AMPS MAX AT 28 VDC & 25°C
HOLDING	300 mA MAX AT 28 VDC & 25°C
SUPPRESSION	±45 VDC
CONTACT BOUNCE	
MAIN CONTACT	1 mS
AUX CONTACT	1 mS
ENVIRONMENTAL DATA	
TEMPERATURE	-55°C TO +85°C
ALTITUDE	50,000 FEET
LIFE ELECTRICAL	50,000 CYCLES MIN. (RESISTIVE)
LIFE MECHANICAL	100,000 CYCLES MIN. (@25% RATED RESISTIVE LOAD)
WEIGHT	0.59 LBS

TE # 5-1617818-0

THIS DRAWING IS A CONTROLLED DOCUMENT.		DWN SK 03DEC2018	TE Connectivity		
DIMENSIONS: INCHES [mm]		CHK SC 03DEC2018			
TOLERANCES UNLESS OTHERWISE SPECIFIED:		APVD DH 03DEC2018			
0 PLC ± 1 PLC ± 2 PLC ±0.06 3 PLC ±0.02 4 PLC ± ANGLES ±1°		NAME FCC-360 3PST THREADED MOUNT, 60AMPS PRODUCT SPEC - APPLICATION SPEC - WEIGHT -			
MATERIAL -	FINISH -	SIZE A3	CAGE CODE 00779	DRAWING NO. C- FCC-360-CU4	RESTRICTED TO
		SCALE NONE		SHEET 1 OF 1	REV A