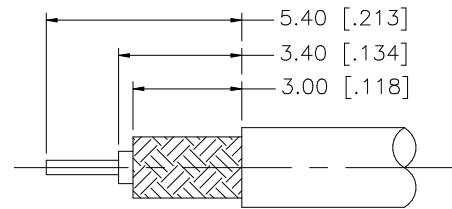
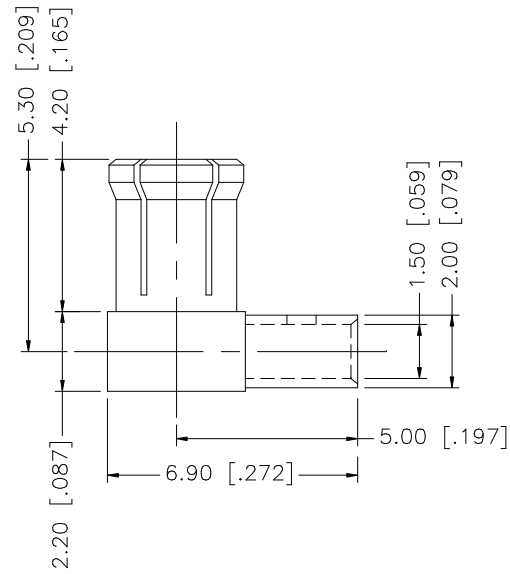
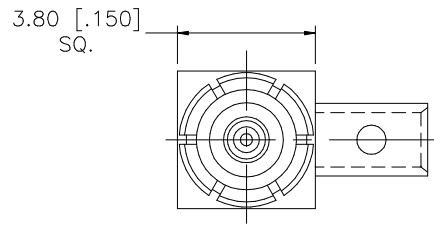


REV.	DATE	DESCRIPTION
A	01/30/04	UPDATE DRAWING FORMAT



RECOMMENDED CABLE STRIPPING DIMENSIONS

REV.	DATE	DESCRIPTION
A	01/30/04	UPDATE DRAWING FORMAT
8		
7		
6		
5		
4		
3	CONTACT PIN	BRASS GOLD 1
2	INSULATOR	TEFLON NATURAL 1
1	HOUSING/BODY	BRASS GOLD 1
	DESCRIPTION	MATERIAL FINISH QTY
<p>UNLESS OTHERWISE SPECIFIED DIMENSIONS ARE IN MILLIMETERS; DIMENSIONS IN [] ARE IN INCHES AND FOR CUSTOMER REFERENCE ONLY.</p> <p>UNLESS OTHERWISE SPECIFIED TOLERANCES FOR MILLIMETERS ARE: 0.5 - 8mm ± 0.20mm 8 - 30mm ± 0.40mm 30 - 120mm ± 0.50mm</p> <p>UNLESS OTHERWISE SPECIFIED TOLERANCES FOR INCHES ARE: .020 - .315 = ± 0.007" .315 - 1.180 = ± 0.015" 1.180 - 4.724 = ± 0.020"</p> <p>DO NOT SCALE DRAWING</p>		
APPROVALS		DATE
DRAWN	G.R.S.	01/30/04
CHECKED		
ISSUED		
SHEET	1 OF 1	
CAD FILE		C:/252/225135-10.DWG
<h1 style="text-align: center;">Amphenol Connex</h1>		
PART DESCRIPTION		
MCX R/A SOLDER PLUG – LOW PROFILE (FOR RG-178B/U, 196A/U CABLE)		
PART NO.		
252135-10		
DWG. NO.	252135-10.DWG	REV. A
SIZE	A	SCALE NA