

Electronic housing - UEGH 45/2-SMD - 2757173

Please be informed that the data shown in this PDF Document is generated from our Online Catalog. Please find the complete data in the user's documentation. Our General Terms of Use for Downloads are valid (<http://phoenixcontact.com/download>)



Electronic housing, double-level, fully equipped with 12 screw connections per side for two printed circuit boards, for mounting of SMD components

The figure shows version UEGH 40/1

Your advantages

- Efficient assembly thanks to overlapping housing parts
- Increased number of positions thanks to optional UEGM-MT FS slip-on connections
- Can be snapped onto standard NS 35/7,5 and NS 35/15 DIN rails
- Can accommodate up to two PCBs

Key Commercial Data

Packing unit	10 pc
GTIN	
GTIN	4017918108038

Technical data

General

Housing type	Complete housing
Housing material	Polyamide (PA 6.6)
Color (RAL)	green

Ambient conditions

Ambient temperature (operation)	-40 °C ... 105 °C
---------------------------------	-------------------

Dimensions

Length	79 mm
Height	106.7 mm
Width	45 mm
Pitch	5 mm

Electronic housing - UEGH 45/2-SMD - 2757173

Technical data

Dimensions

Depth	79 mm
-------	-------

Technical data

Connection in acc. with standard	CUL
Nominal voltage U_N	300 V
Nominal current I_N	10 A
AWG/kcmil	30-12
Indicator1	CUL1
Power dissipation without gap	6.5 W
Power dissipation with 20 mm gap	9.8 W
Number of positions	24

Connection data

Conductor cross section solid min.	0.2 mm ²
Conductor cross section solid max.	4 mm ²
Conductor cross section flexible min.	0.2 mm ²
Conductor cross section flexible max.	2.5 mm ²
Conductor cross section AWG min.	24
Conductor cross section AWG max.	12
Stripping length	8 mm

Standards and Regulations

Connection in acc. with standard	CUL
Flammability rating according to UL 94	V2

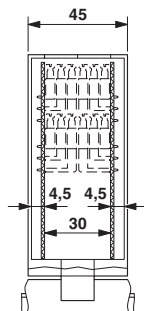
Environmental Product Compliance

REACH SVHC	Lead 7439-92-1
China RoHS	Environmentally Friendly Use Period = 50
	For details about hazardous substances go to tab "Downloads", Category "Manufacturer's declaration"

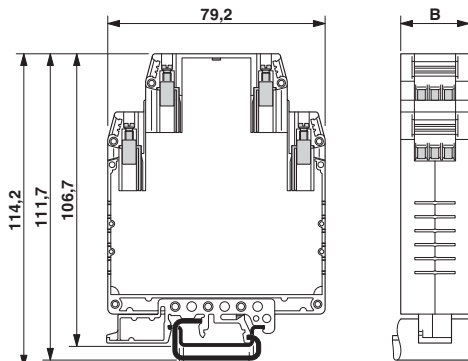
Drawings

Electronic housing - UEGH 45/2-SMD - 2757173

Dimensional drawing

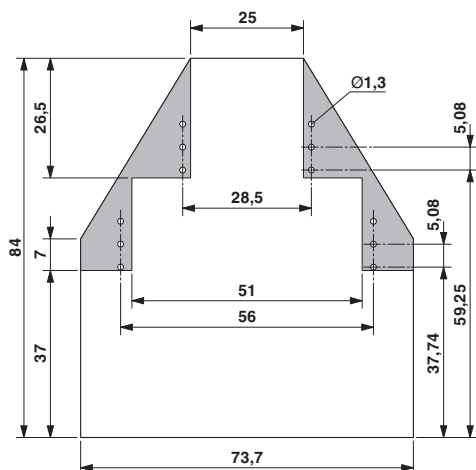


Dimensional drawing

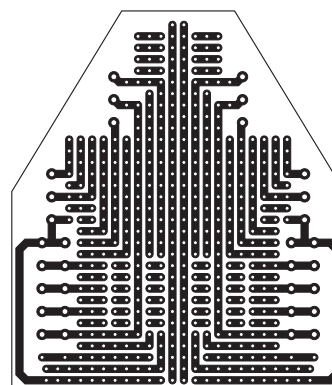


For 2 PCBs, for SMD assembly of reverse side of both PCBs, 24 pos.

Dimensional drawing



Schematic diagram



Approvals

Approvals

Approvals

UL Recognized / EAC / cULus Recognized

Ex Approvals


Approval details

UL Recognized		http://database.ul.com/cgi-bin/XYV/template/LISEXT/1FRAME/index.htm	FILE E 240868
---------------	--	---	---------------

Electronic housing - UEGH 45/2-SMD - 2757173

Approvals

EAC		B.01742
-----	---	---------

cULus Recognized		http://database.ul.com/cgi-bin/XYV/template/LISEXT/1FRAME/index.htm	E60425-19770427
	D	B	
Nominal voltage UN	300 V	300 V	
Nominal current IN	10 A	10 A	
mm ² /AWG/kcmil	30-12	30-12	

Phoenix Contact 2018 © - all rights reserved
<http://www.phoenixcontact.com>

PHOENIX CONTACT GmbH & Co. KG
Flachsmarktstr. 8
32825 Blomberg
Germany
Tel. +49 5235 300
Fax +49 5235 3 41200
<http://www.phoenixcontact.com>