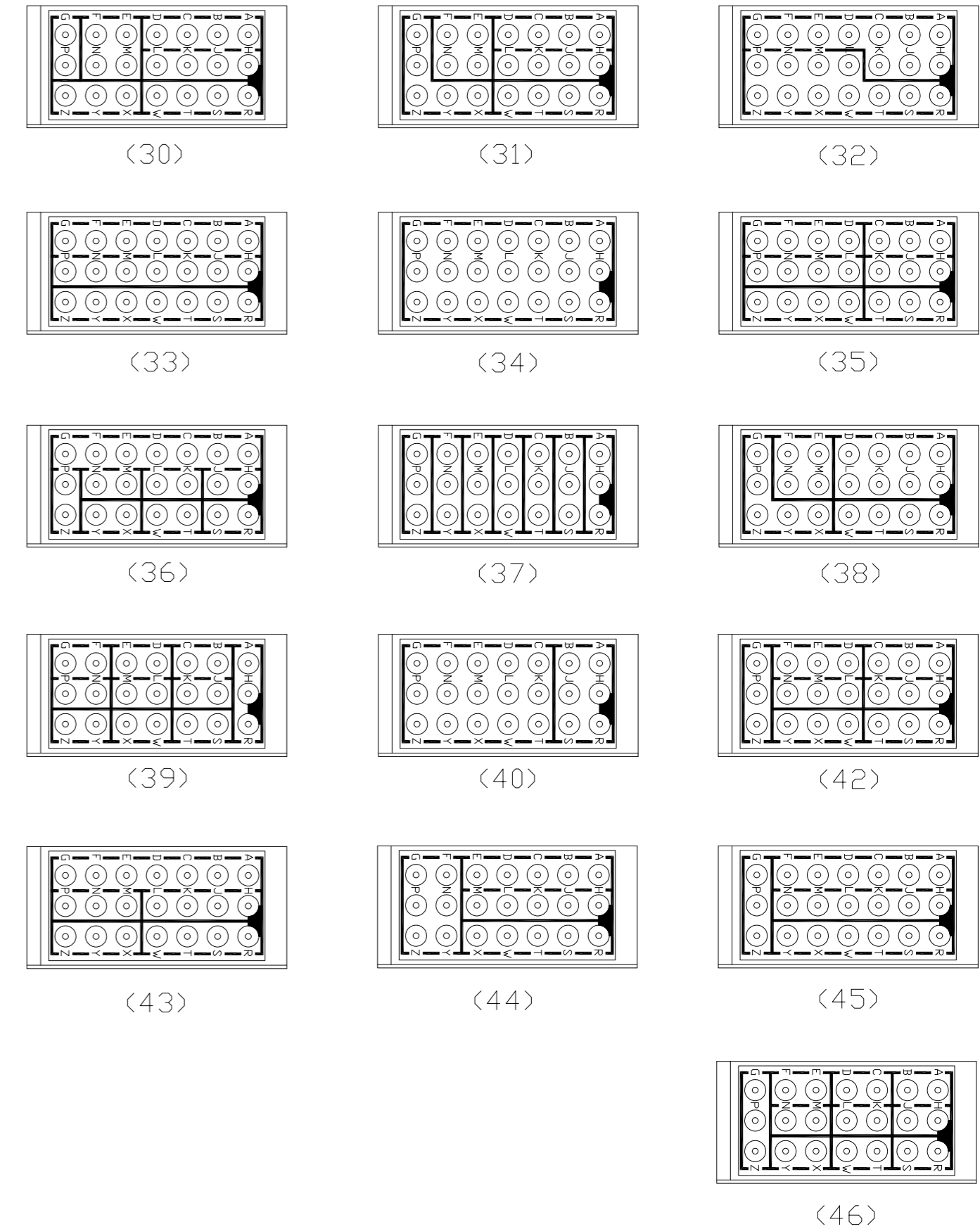
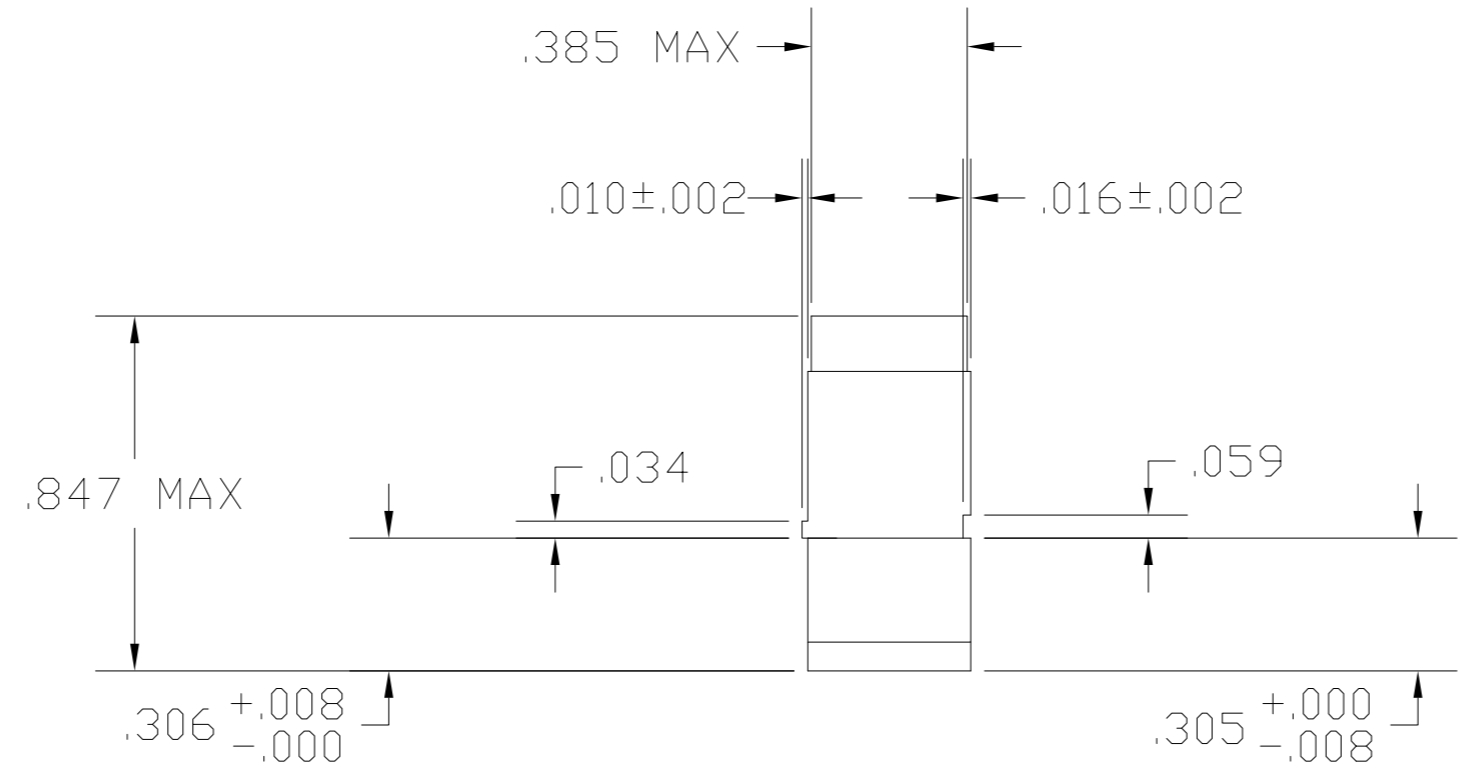
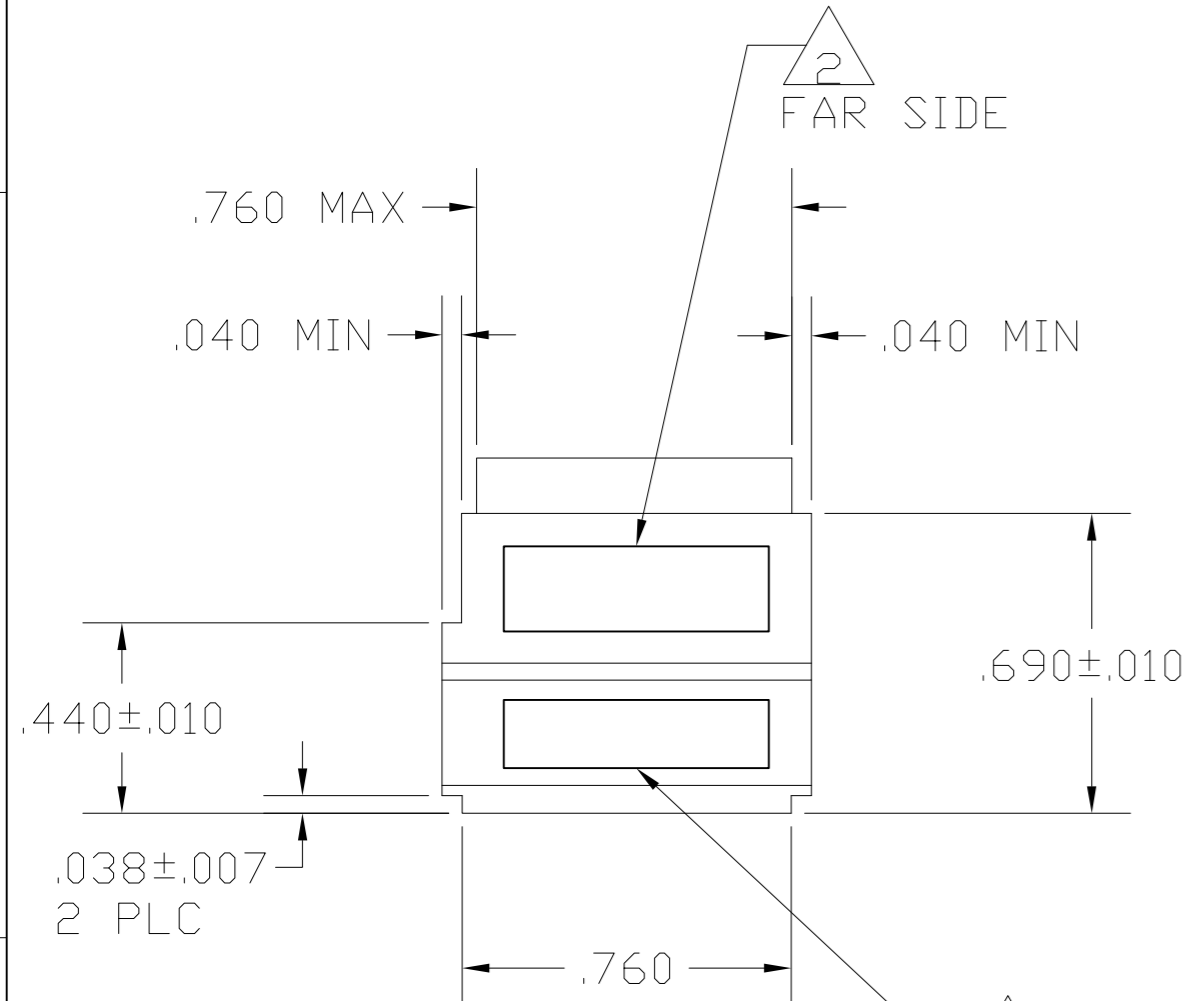
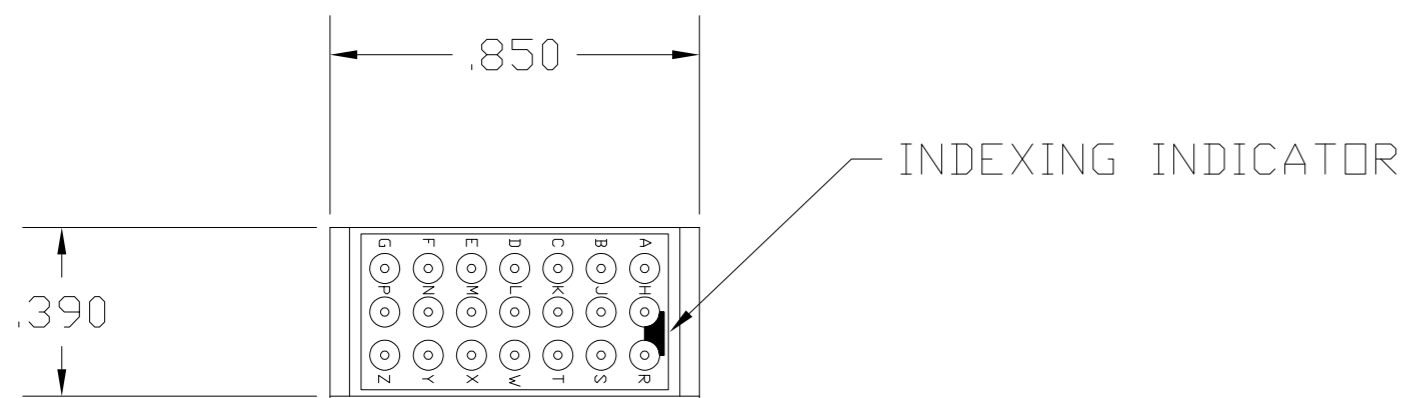


THIS DRAWING IS UNPUBLISHED.		RELEASED FOR PUBLICATION
© COPYRIGHT - By -		ALL RIGHTS RESERVED.
DESCRIPTION	MATERIAL	FINISH
MODULE ASSEMBLY	EPOXY	COLOR: BLACK
GROMMET	FLUORSILICONE RUBBER	COLOR: BLUE
CONTACT SOCKET	BERYLLIUM COPPER PER QQ-C-533	GOLD PLATE PER MIL-G-45204
RETAINING CLIP	BERYLLIUM COPPER PER QQ-C-533 OR STAINLESS STEEL PER QQ-S-766	NONE
CONTACTS	COPPER ALLOY PER MIL-C-39029/1	GOLD PLATE PER MIL-G-45204
SEALING PLUGS	F.E.P. PER MIL-P-19468	COLOR: BLACK

LDC		DIST		REVISIONS			
DF	AO	P	LTR	DESCRIPTION	DATE	DWN	APVD
		D		REVISED PER ECD-11-011660	08JUL11	PY	DE



BUSSING ARRANGEMENTS 3

- 3 BUSSING ARRANGEMENT OUTLINE DENOTES INTERNAL ARRANGEMENT OF CONTACT SOCKETS.
- 2 MARK MODULE ASSEMBLY WITH CUSTOMER PART NO., MILITARY PART NO. IF REQUIRED .060 MINIMUM HIGH CHARACTERS AT APPROXIMATE AREA SHOWN.
- 1 MARK MODULE ASSEMBLY WITH "AMP", AMP PART NO. AND DATE CODE .060 MINIMUM HIGH CHARACTERS AT APPROXIMATE AREA SHOWN.

THIS DRAWING IS A CONTROLLED DOCUMENT.		DWN	J. MECK	3-10-93	TE TE Connectivity																					
DIMENSIONS: INCHES		CHK	R. RYAN	3-31-93																						
TOLERANCES UNLESS OTHERWISE SPECIFIED:		APVD	R. RYAN	3-31-93																						
<table border="0"> <tr><td>0 PLC</td><td>±</td><td>-</td></tr> <tr><td>1 PLC</td><td>±</td><td>-</td></tr> <tr><td>2 PLC</td><td>±</td><td>-</td></tr> <tr><td>3 PLC</td><td>±</td><td>.005</td></tr> <tr><td>4 PLC</td><td>±</td><td>-</td></tr> <tr><td>ANGLES</td><td>±</td><td>-</td></tr> <tr><td>FINISH</td><td></td><td></td></tr> </table>		0 PLC	±	-		1 PLC	±	-	2 PLC	±	-	3 PLC	±	.005	4 PLC	±	-	ANGLES	±	-	FINISH			PRODUCT SPEC	-	NAME
0 PLC	±	-																								
1 PLC	±	-																								
2 PLC	±	-																								
3 PLC	±	.005																								
4 PLC	±	-																								
ANGLES	±	-																								
FINISH																										
MATERIAL	-	APPLICATION SPEC	-	SIZE	A2																					
		WEIGHT	-	CAGE CODE	00779																					
		CUSTOMER DRAWING	-	DRAWING NO	C-592629																					
				RESTRICTED TO	-																					
				SCALE	2: 1																					
				SHEET	1 of 2																					
				REV	D																					

THIS DRAWING IS UNPUBLISHED. RELEASED FOR PUBLICATION
 © COPYRIGHT - By - ALL RIGHTS RESERVED.

LDC		DIST		REVISIONS			
P	LTR	DESCRIPTION	DATE	DWN	APVD		
-	-	SEE SHEET 1	-	-	-		

Part No.	46	45	44	43	42	40	39	38	37	36	35	34	33	32	31	30	SEALING PLUG QTY	CONTACTS QTY	PART NO.
MRTB21D43				X													--	--	4-592629-9
MRTB21D39						X											--	--	4-592629-8
M81714/17-D30										X							X	X	4-592629-7
M81714/17-D45		X															X	X	4-592629-5
M81714/17-D36									X								X	X	4-592629-4
M81714/17-D43				X													X	X	4-592629-3
M81714/17-D42					X												X	X	4-592629-2
M81714/17-D41																	OBSOLETE		4-592629-1
-----				X													--	--	4-592629-0
-----																	SUPERCEDED BY 4-592629-9		3-592629-3
MRTB21D42					X												--	--	3-592629-2
MRTB21D44		X															-----	-----	3-592629-1
MRTB21D37								X									-----	-----	3-592629-0
MRTB21D36									X								-----	-----	2-592629-9
MRTB21D35										X							-----	-----	2-592629-8
MRTB21D34											X						-----	-----	2-592629-7
MRTB21D32													X				-----	-----	2-592629-6
MRTB21D31														X			-----	-----	2-592629-5
MRTB21D30															X		-----	-----	2-592629-4
G383962-1							X										X	X	2-592629-3
-----																	-----	-----	2-592629-2
77A112809-2		X															X	X	2-592629-1
-----																	-----	-----	2-592629-0
M81714/17-D44			X														X	X	1-592629-9
-----																	-----	-----	1-592629-8
M81714/17-D40					X												X	X	1-592629-7
-----																	-----	-----	1-592629-6
M81714/17-D39						X											X	X	1-592629-5
-----																	-----	-----	1-592629-4
M81714/17-D38							X										X	X	1-592629-3
-----																	-----	-----	1-592629-2
M81714/17-D37								X									X	X	1-592629-1
-----																	-----	-----	1-592629-0
M81714/17-D35										X							X	X	592629-9
-----																	-----	-----	592629-8
M81714/17-D34											X						X	X	592629-7
-----																	-----	-----	592629-6
M81714/17-D33													X				X	X	592629-5
-----																	-----	-----	592629-4
M81714/17-D32														X			X	X	592629-3
-----																	-----	-----	592629-2
M81714/17-D31															X		X	X	592629-1

MARKING



THIS DRAWING IS A CONTROLLED DOCUMENT.

DIMENSIONS INCHES	TOLERANCES UNLESS OTHERWISE SPECIFIED:
	0 PLC ± -
	1 PLC ± -
	2 PLC ± -
	3 PLC ± .005
	4 PLC ± -
	ANGLES ± -
MATERIAL	FINISH
-	-

DWN	J. MECK	3-10-93	TE Connectivity
CHK	R. RYAN	3-31-93	
APVD	R. RYAN	3-31-93	
PRODUCT SPEC	-		
APPLICATION SPEC	-		NAME
WEIGHT	-	SIZE	A2
CUSTOMER DRAWING	SCALE	2:1	CAGE CODE
	SHEET	2 of 2	DRAWING NO
	REV	D	RESTRICTED TO
			MODULE ASSY, FEED-BACK, SIZE 21, TJ
			DRAWING NO
			592629

592629