



## OD9238 Series

DC Fan - 12V, 24V  
92 x 38mm (3.62 x 1.5in)



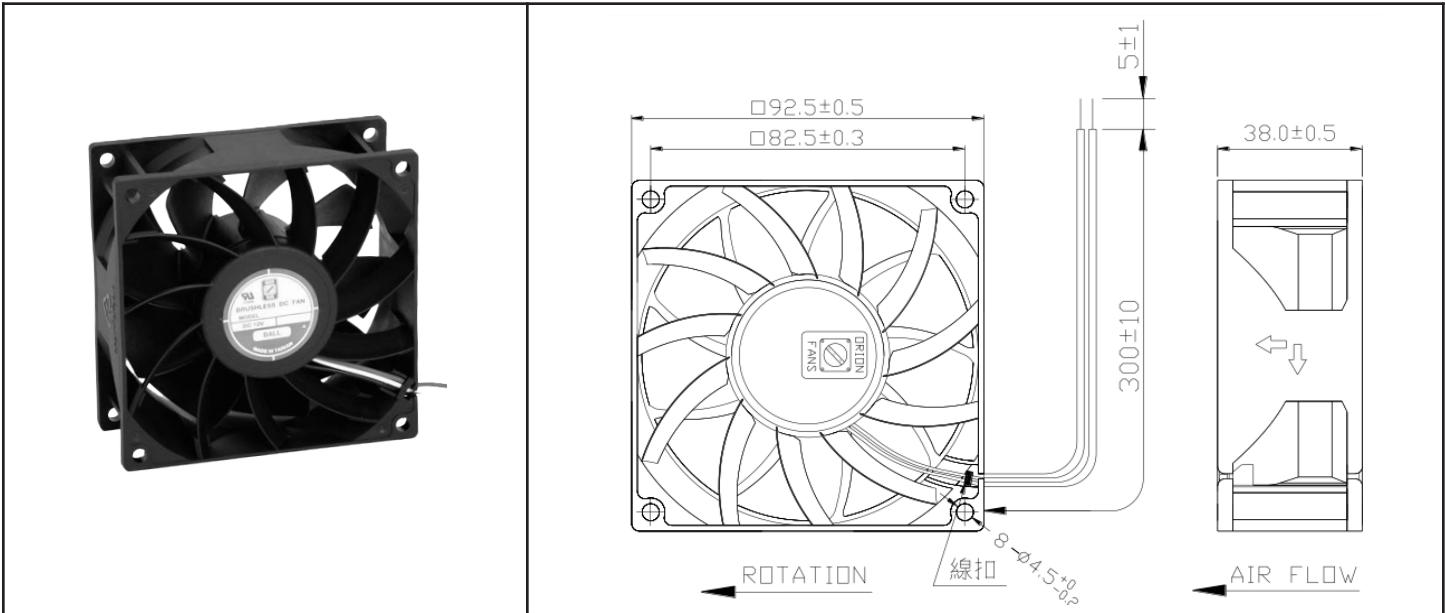
Model #	Pg #	Voltage	RPM	CFM	Noise Level	Max Static Pressure
OD9238-12MB	2	12 VDC	3600	90	47 dB	.34 H <sub>2</sub> O
OD9238-24HB	3	24 VDC	4000	90	50 dB	.40 H <sub>2</sub> O
OD9238-24HB02A	4	24 VDC	4000	90	50 dB	.40 H <sub>2</sub> O

\*\* For some models and part numbers, minimum order quantities may apply.

# OD9238-12MB



DC Fan, 12VDC  
92x38mm (3.62x1.5in)



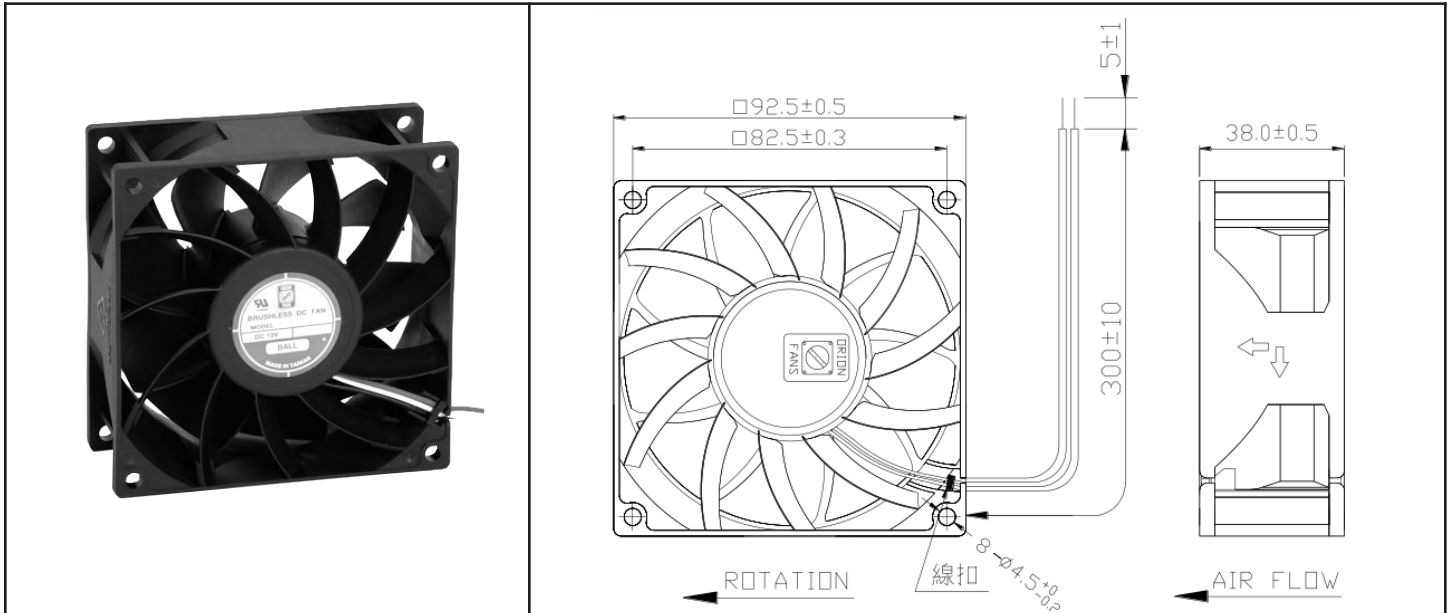
Frame & Impeller	PBT, UL94V-0 plastic	<b>Available Options</b> IP55 Other speeds and voltages Alarm PWM Tach *Connection: Wire Leads - UL1007 24AWG Red(+), Black (-),  Weight: 210 g	
Connection	2x Lead wires *		
Motor	Brushless DC, auto restart, polarity protected.		
Bearing System	Dual ball bearing		
Insulation Resistance	Min. 10M at 500VDC		
Dielectric Strength	1 second at 500VAC max leakage 500 microamp		
Temperature Range	-10C ~ +70C		
Storage Temperature	-40C ~ +80C		
Life (L10)	70,000 hours (40C)		

Model Number	OD9238-12MB
Part Number	196131001
Nominal Voltage	12 VDC
Voltage Range	7~13.2 VDC
Nominal Current	.45 A
Rated Power	12 Watts
Rated Speed (RPM)	3600
Airflow (CFM)	90
Noise Level (dB)	47
Max. Static Pressure	.34 "H <sub>2</sub> O

# OD9238-24HB



DC Fan, 24VDC  
92x38mm (3.62x1.5in)



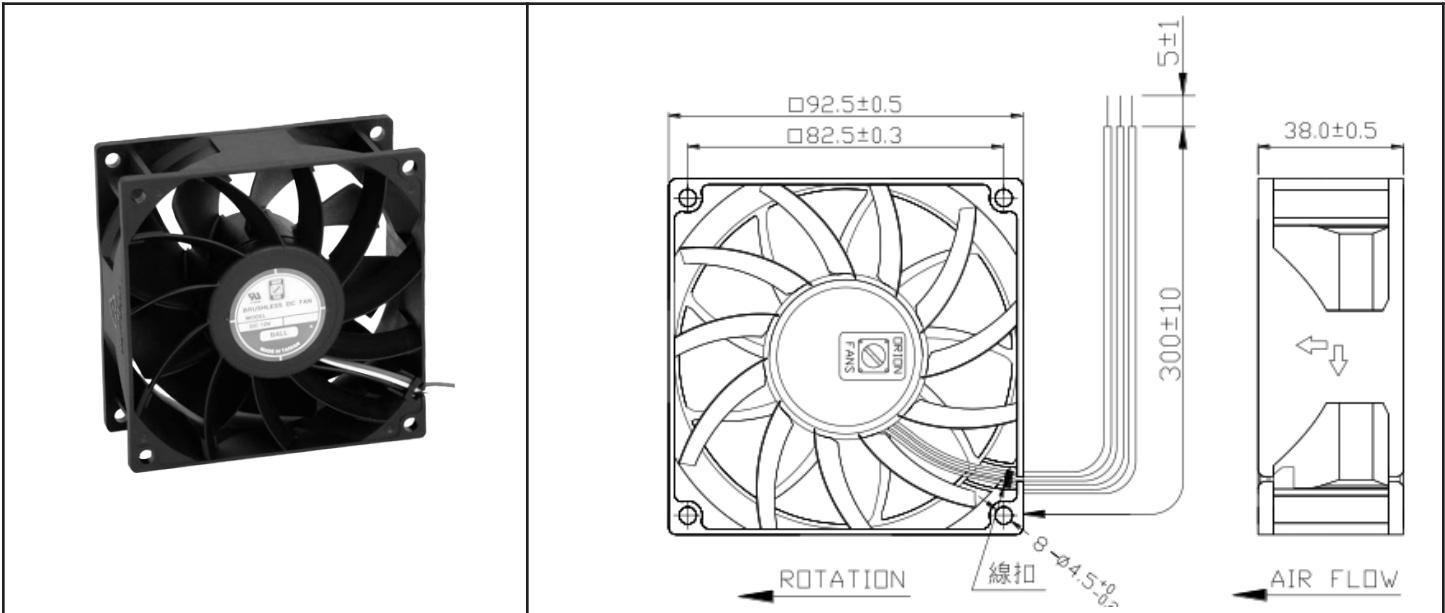
Frame & Impeller	PBT, UL94V-0 plastic	<b>Available Options</b> IP55 Other speeds and voltages Tachometer PWM Alarm *Connection: Wire Leads - UL1007 24AWG Red(+), Black (-),  Weight: 210 g	<b>FLOWRATE(CMM)</b> 
Connection	2x Lead wires *		
Motor	Brushless DC, auto restart, polarity protected.		
Bearing System	Dual ball bearing		
Insulation Resistance	Min. 10M at 500VDC		
Dielectric Strength	1 second at 500VAC max leakage 500 microamp		
Temperature Range	-10C ~ +70C		
Storage Temperature	-40C ~ +80C		
Life (L10)	70,000 hours (40C)		

Model Number	OD9238-24HB
Part Number	196241001
Nominal Voltage	24 VDC
Voltage Range	17~26.4 VDC
Nominal Current	.28 A
Rated Power	13.2 Watts
Rated Speed (RPM)	4000
Airflow (CFM)	90
Noise Level (dB)	50
Max. Static Pressure	.40 "H <sub>2</sub> O

# OD9238-24HB02A



DC Fan, 24VDC  
92x38mm (3.62x1.5in)



Frame & Impeller	PBT, UL94V-0 plastic	<b>Available Options</b> IP55 Other speeds and voltages Tachometer PWM  *Connection: Wire Leads - UL1007 24AWG Red(+), Black (-), Yellow Alarm  Weight: 210 g	
Connection	3x Lead wires *		
Motor	Brushless DC, auto restart, polarity protected.		
Bearing System	Dual ball bearing		
Insulation Resistance	Min. 10M at 500VDC		
Dielectric Strength	1 second at 500VAC max leakage 500 microamp		
Temperature Range	-10C ~ +70C		
Storage Temperature	-40C ~ +80C		
Life (L10)	70,000 hours (40C)		

Model Number	OD9238-24HB02A	<p>Output of locked signal                  *Output type.....Open collector type                  *Electrical design suggestion:                  (External signal function design is decided by customer)</p> <p>*Transistor Q1 at "ON" position                  Collector current.....I<sub>c</sub>=10mA Max                  Saturation Voltage.....V<sub>ce</sub>=1.0V Max                  (Between Collector and Emitter at I<sub>c</sub>=10mA)                  *Transistor Q1 at "OFF" position                  Release Voltage.....V<sub>ce</sub>=30V Max</p> <p>*Output waveform</p>
Part Number	196241231	
Nominal Voltage	24 VDC	
Voltage Range	17~26.4 VDC	
Nominal Current	.28 A	
Rated Power	13.2 Watts	
Rated Speed (RPM)	4000	
Airflow (CFM)	90	
Noise Level (dB)	50	
Max. Static Pressure	.40 "H <sub>2</sub> O	