

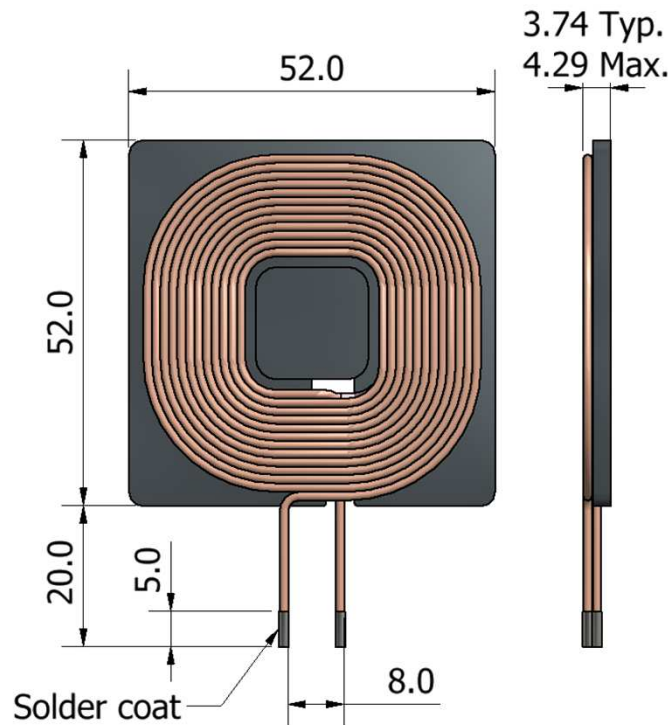
TDK Proposal for TDK STD

TDK Part No: WT525225-12F2-MA2-G

**TDK R&D center
Wireless Charging Team
2016/01/22**

(2016-01-22)

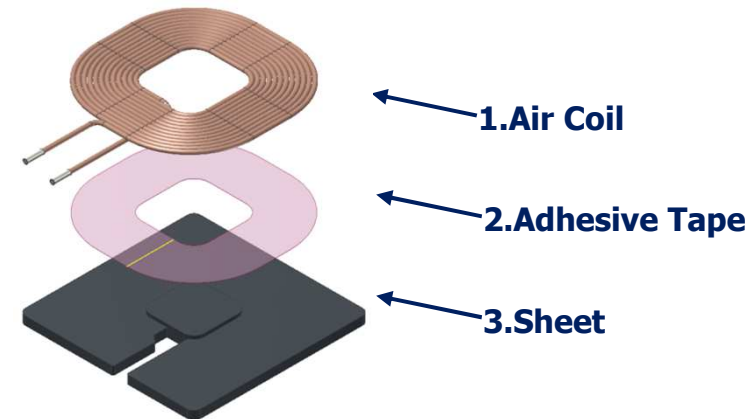
= Dimension of coil unit =



= Coil unit Assembly=

Unit : mm

Stack	TDK Item	Typ.	Max.
1	Coil+Resin	1.100	1.400
2	Adhesive Tape	0.135	0.142
3	Main Sheet (FK2)	2.500	2.750
Total Thickness		3.74	4.29



= Electrical Characteristics=

- L_s [uH] : 10.5 uH typ @100kHz
- R_s [ohm] : 0.06 Ω typ @100kHz