

MATERIALS AND FINISHES:

BODY: STAINLESS STEEL  
FINISH: PASSIVATED

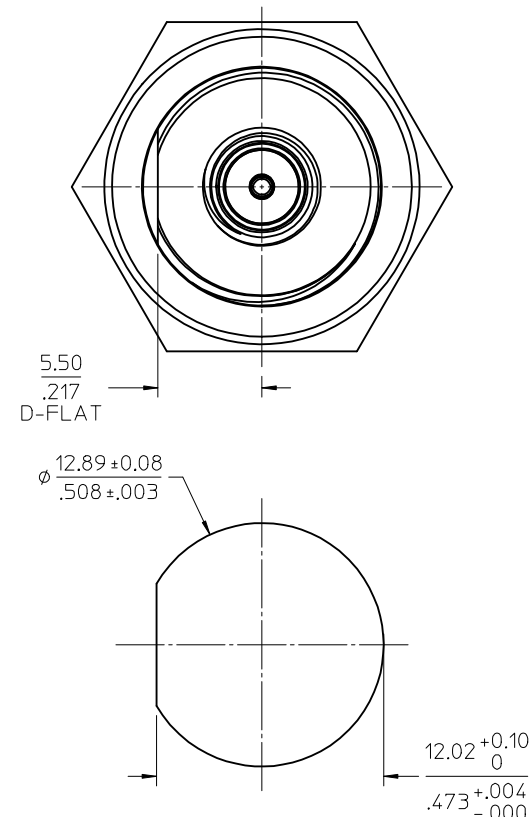
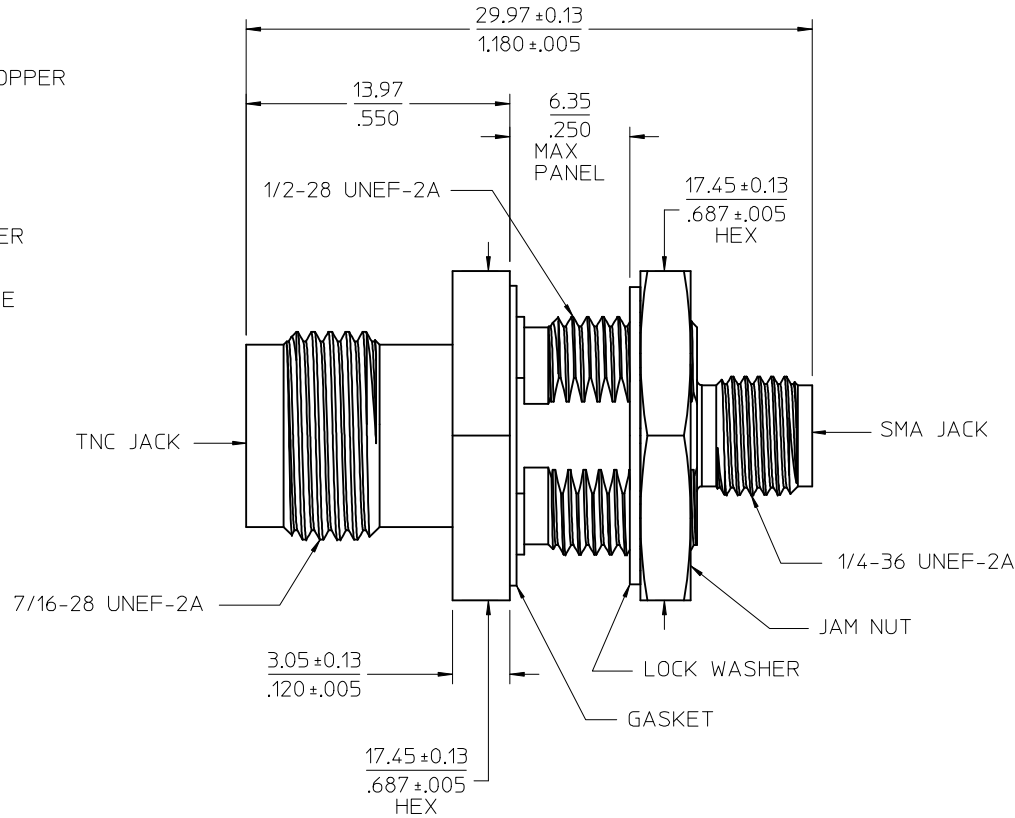
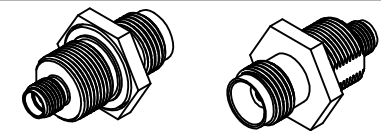
CENTER CONTACT: BERYLLIUM COPPER  
FINISH: GOLD

INSULATOR: TEFLON

GASKET, O-RING: SILICONE RUBBER

LOCKWASHER: PHOSPHOR BRONZE  
PLATED NICKEL

JAM NUT: BRASS  
PLATED NICKEL



ALL DIMENSIONS ARE REFERENCE UNLESS SPECIFIED

RECOMMENDED  
PANEL LAYOUT

73386-1800
PART NO.

<b>CHG: ADDED HEX TOL</b> EC NO: URF2015-0009 DRWN: JLEE02 2014/07/09 CHKD: SSS 2014/07/09 APPR: WSPINK 2014/07/10 REVISIONS: A3	QUALITY SYMBOLS ▽=0 ▽=0	GENERAL TOLERANCES (UNLESS SPECIFIED)		DIMENSION STYLE MM/IN		SCALE METRIC	DESIGN UNITS METRIC		THIRD ANGLE PROJECTION		
		4 PLACES ± --- + --- 3 PLACES ± --- ± --- 2 PLACES ± --- ± --- 1 PLACE ± --- ± ---		DRAWN BY DATE JLEE02 2014/05/06 CHECKED BY DATE SSS 2014/05/06 APPROVED BY DATE WSPINK 2014/06/13		TITLE BSA, TNC J TO SMA J BH 50 OHMS EWR-5388, BSA-TNC/SMA		MOLEX MOLEX INCORPORATED		SHEET NO. 1 OF 1	
		ANGULAR ± 2 °		MATERIAL NO. SEE TABLE		DOCUMENT NO. SD-73386-180		THIS DRAWING CONTAINS INFORMATION THAT IS PROPRIETARY TO MOLEX INCORPORATED AND SHOULD NOT BE USED WITHOUT WRITTEN PERMISSION		DRAFT WHERE APPLICABLE MUST REMAIN WITHIN DIMENSIONS	
		A3		SIZE C		SEE TABLE		MOLEX MOLEX INCORPORATED		SHEET NO. 1 OF 1	