

RK 90 - Keycap body, for lens 1½-module

5.55.103.032/1013

Please order lens separately.



General information

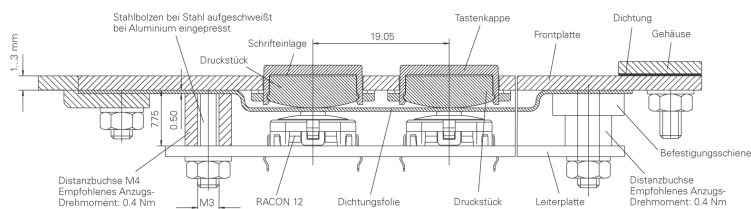
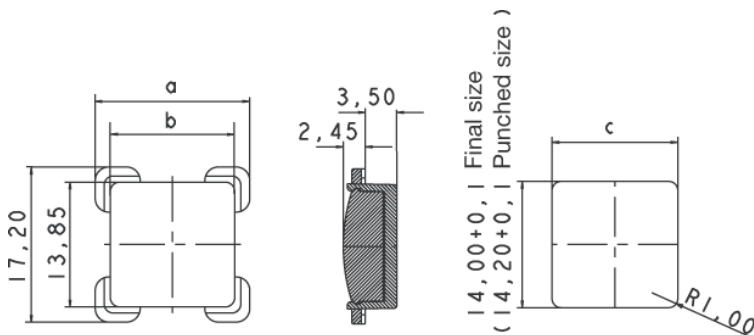
Color of lens	-
Size	1½-module
Degree of protection (with silicon seal)	IP65 (DIN EN 60529)
Illuminability	yes

Dimensions

Dimension (b) in front of front panel	13.85 x 20.85 mm
Dimension (a) behind front panel	17.20 x 24.20 mm
Dimension (c) hole patterns final size	14.00 x 21.00 mm
Dimension hole patterns punched size	14.20 x 21.20 mm

Other specifications

ROHS compliant	yes
REACH compliant	yes



Einbau von vorne

Einbau von hinten

