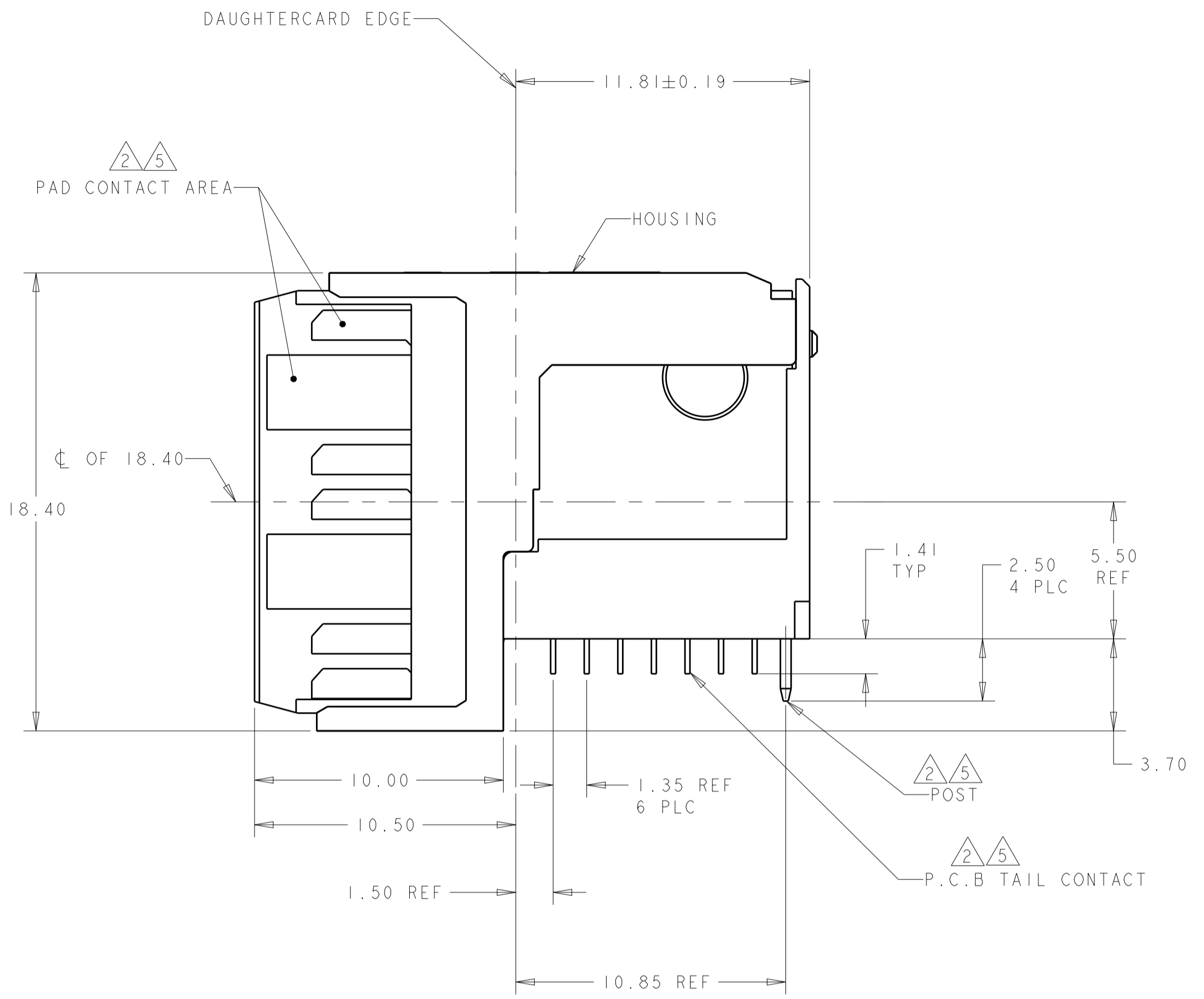
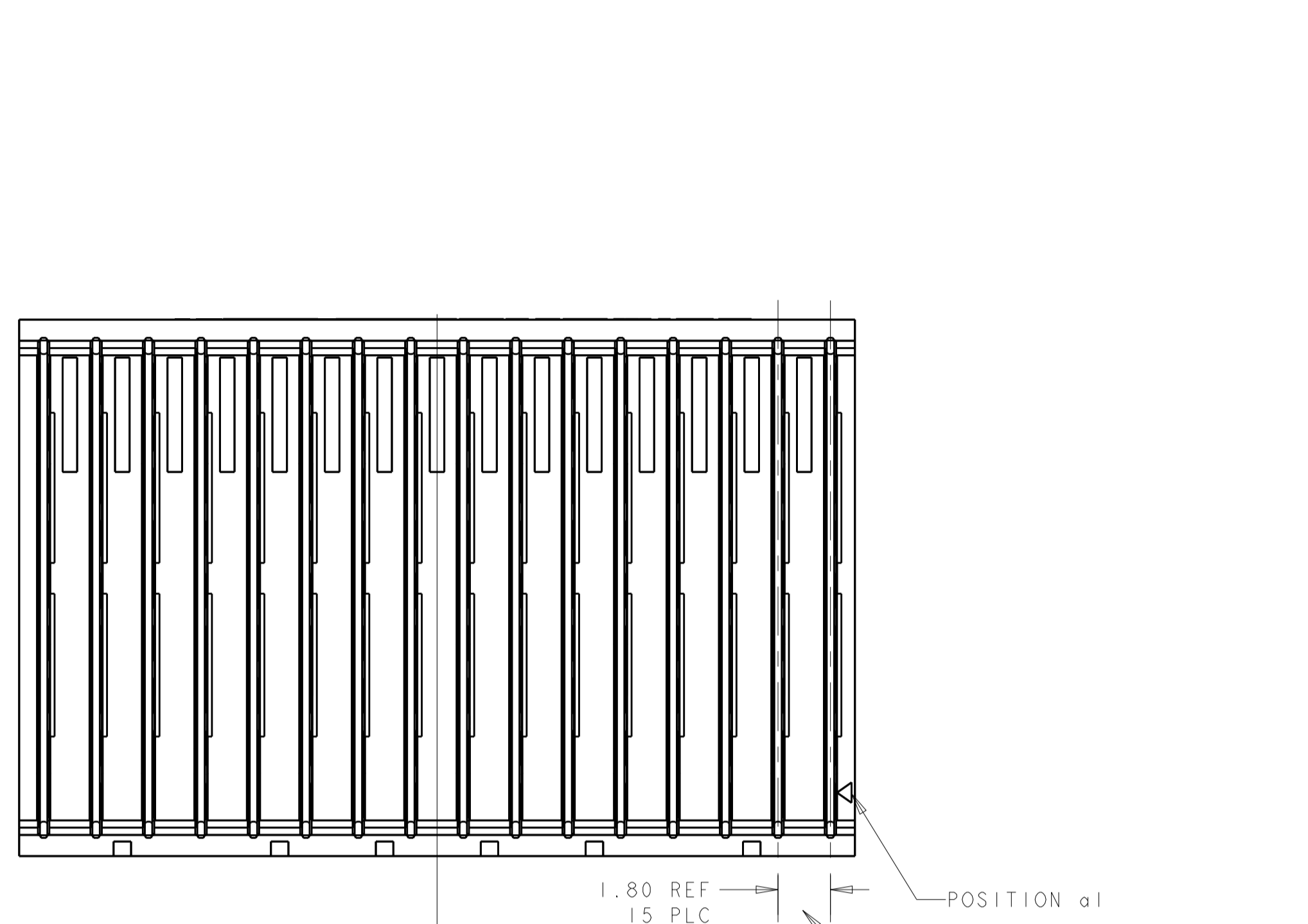


LOC		DIST		REVISIONS			
P	LTR	DESCRIPTION	DATE	DMN	APVD	CT	DH
A		RELEASED PER ECO 19-002007	2-9-19	CT	DH		



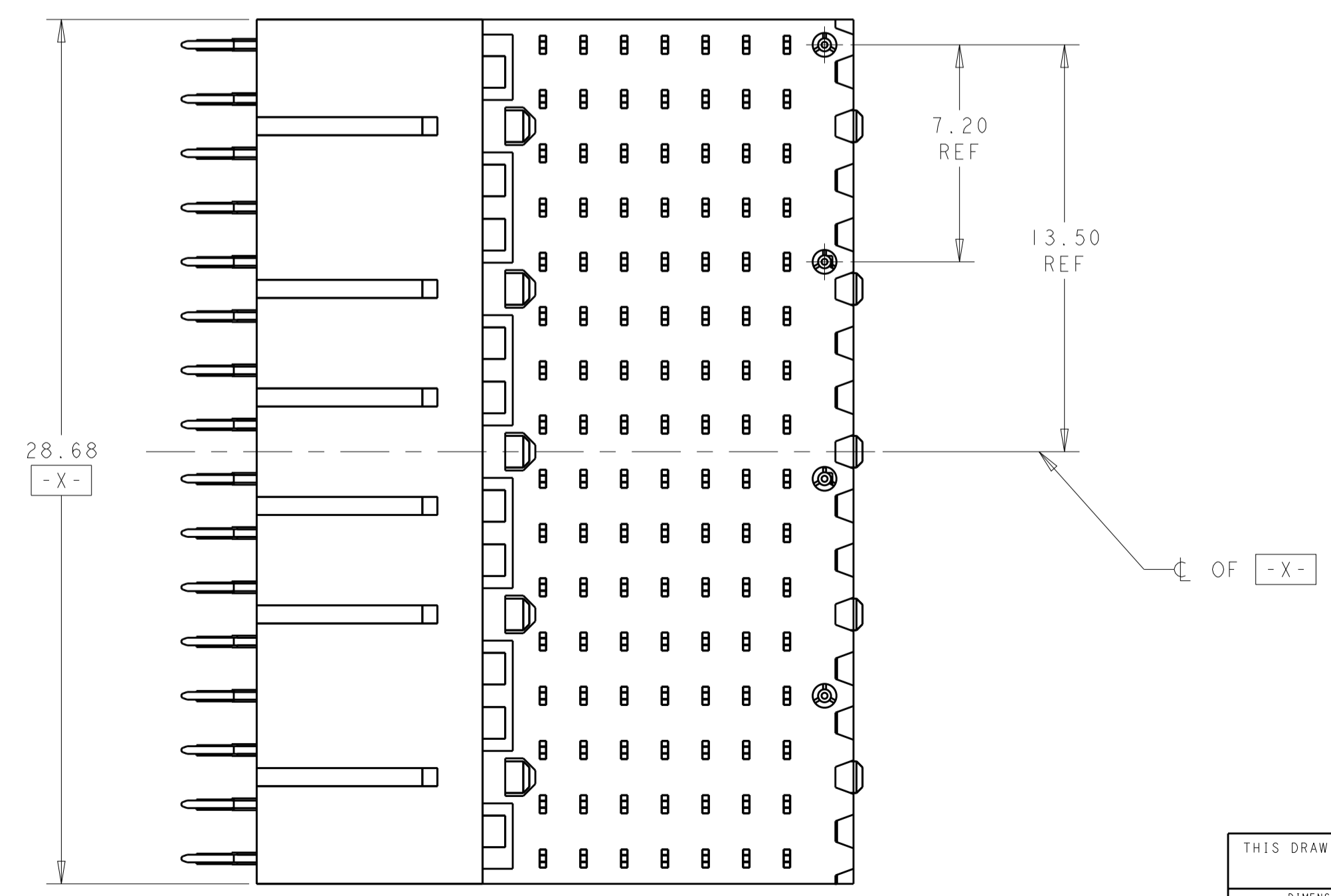
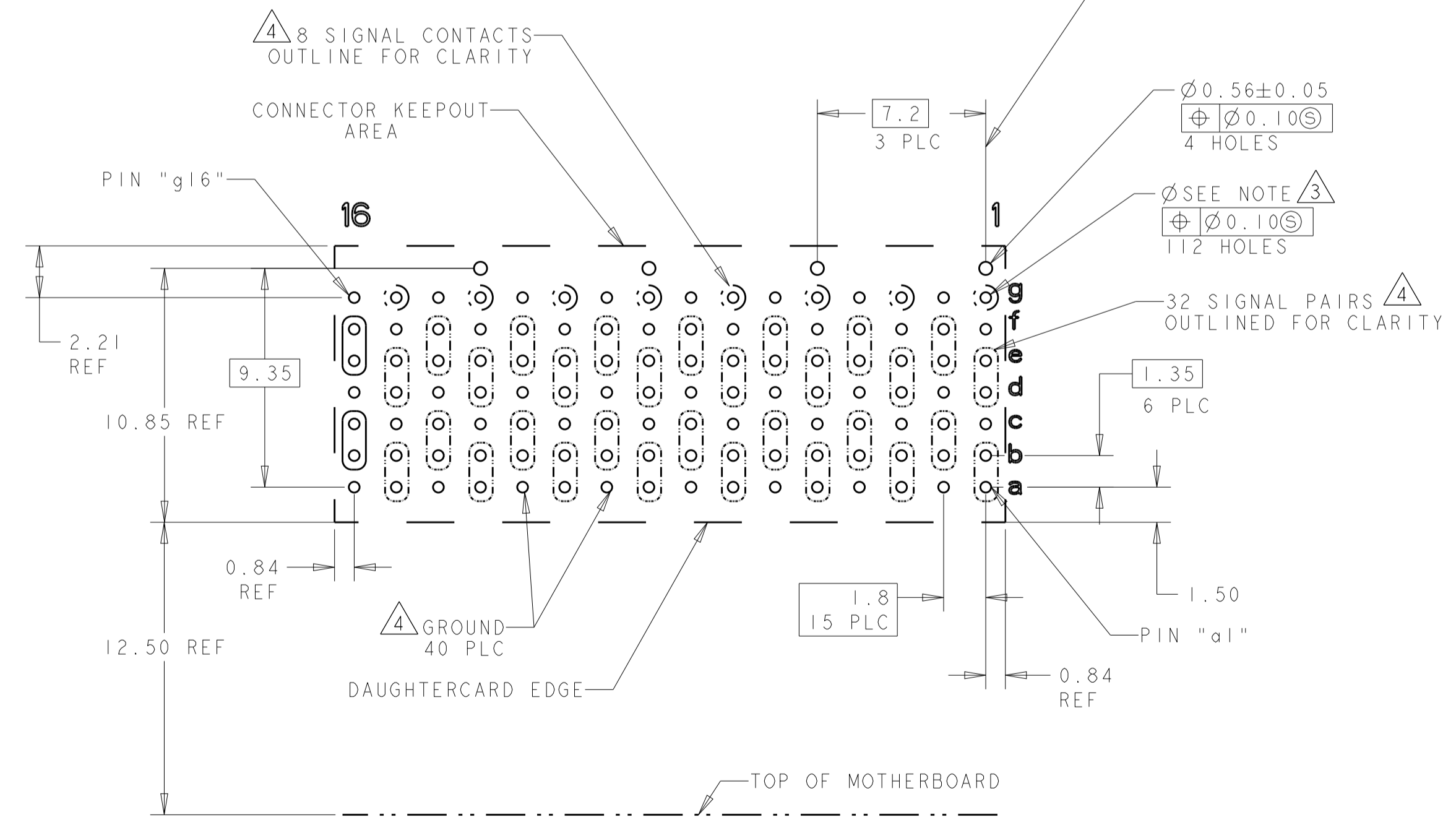
- 1 HOUSING: LCP, UL94V0. COLOR: BLACK. CONTACT: PHOSPHOR BRONZE. POST: BRASS WIRE
- 2 CONTACT: 1.27µm MIN GOLD IN PAD CONTACT AREA. 1.27µm MIN TIN-LEAD ON PCB TAIL OVER 1.27µm MIN NICKEL OVER ALL. POST: 1.27µm MIN NICKEL PLATED.
- 3 PLATED THROUGH HOLE PER 114-163004, SECTION 3.6
- 4 SEE TABLE 1 FOR INTERCONNECTIONS TO BACKPLANE CONNECTOR.
- 5 CONTACT: 1.27µm MIN GOLD IN PAD CONTACT AREA. 1.27µm MIN TIN ON PCB TAIL OVER 1.27µm MIN. NICKEL OVER ALL. POST: 1.27µm MIN NICKEL PLATED.

TABLE 1
INTERCONNECTIONS WITH BACKPLANE CONNECTOR 2102736-1

TYPICAL INTERCONNECTIONS FOR EACH EVEN-NUMBERED COLUMN (WAFER): 2, 4, 6, 8, 10, 12, 14, 16		
CONTACT USAGE	DAUGHTERCARD CONNECTOR PIN	BACKPLANE CONNECTOR PIN
SIGNAL PAIR	bx	cx
SIGNAL PAIR	cx	dx
SIGNAL PAIR	ex	gx
SIGNAL PAIR	fx	hx
GROUND	ax, dx, gx, (ALL COMMONED)	ax, bx, ex, fx, ix

TYPICAL INTERCONNECTIONS FOR EACH ODD-NUMBERED COLUMN (WAFER): 1, 3, 5, 7, 9, 11, 13, 15		
CONTACT USAGE	DAUGHTERCARD CONNECTOR PIN	BACKPLANE CONNECTOR PIN
SIGNAL PAIR	ax	ax
SIGNAL PAIR	bx	bx
SIGNAL PAIR	dx	ex
SIGNAL PAIR	ex	fx
SIGNAL PAIR	gx	ix
GROUND	cx, fx (ALL COMMONED)	cx, dx, gx, hx

NOTE: "x" DESIGNATES THE COLUMN NUMBER



PC BOARD LAYOUT (CONNECTOR SIDE)
SCALE: 5:1

THIS DRAWING IS A CONTROLLED DOCUMENT.		DMN: R. MILLER 28JUN2016	2302317-2
DIMENSIONS: mm		CHK: A. TSANG 28JUN2016	2302317-1
TOLERANCES UNLESS OTHERWISE SPECIFIED:		APVD: M. McALONIS 28JUN2016	PLATING PART NO
0 PLC	±	NAME: RIGHT-ANGLE PLUG ASSEMBLY, 7 ROW, CENTER, 20.3mm, MULTIGIG RT 2-S, DAUGHTERCARD, DIFFERENTIAL	
1 PLC	±0.5	PRODUCT SPEC: 108-2072	
2 PLC	±0.13	APPLICATION SPEC: 114-163004	
3 PLC	±	SIZE: 10.33g	
4 PLC	±	WEIGHT: 10.33g	
ANGLES	±1°	CAGE CODE: 114-163004	
MATERIAL	SEE TABLE	RESTRICTED TO: A100779C=2302317	
CUSTOMER DRAWING		SCALE: 6:1	SHEET 1 OF 1 REV A