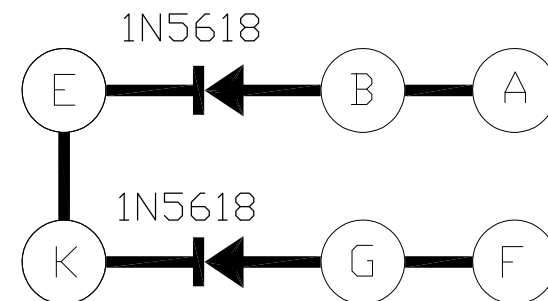
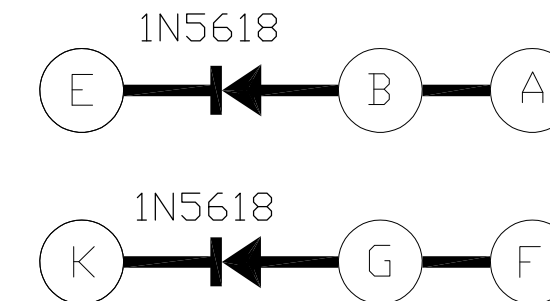


THIS DRAWING IS UNPUBLISHED.		RELEASED FOR PUBLICATION
© COPYRIGHT BY TYCO ELECTRONICS CORPORATION. ALL RIGHTS RESERVED.		
DESCRIPTION	MATERIAL	FINISH
MODULE ASSEMBLY	D.A.P. PER MIL-M-14	COLOR: GREEN
GROMMET	FLUORSILICONE RUBBER PER MIL-T-81714, CLASS B	COLOR: NATURAL
CONTACT SOCKET	BERYLLIUM COPPER PER QQ-C-533	GOLD PLATE PER MIL-G-45204
RETAINING CLIP	BERYLLIUM COPPER PER QQ-C-533 OR STAINLESS STEEL PER QQ-S-766	NONE
DIODES (QTY=2)	1N5618	- -

LOC	DIST	REVISIONS					
DF	AO	P	LTR	DESCRIPTION	DATE	DWN	APVD
		E		REV PER ECD-08-022704	23OCT08	PY	DE

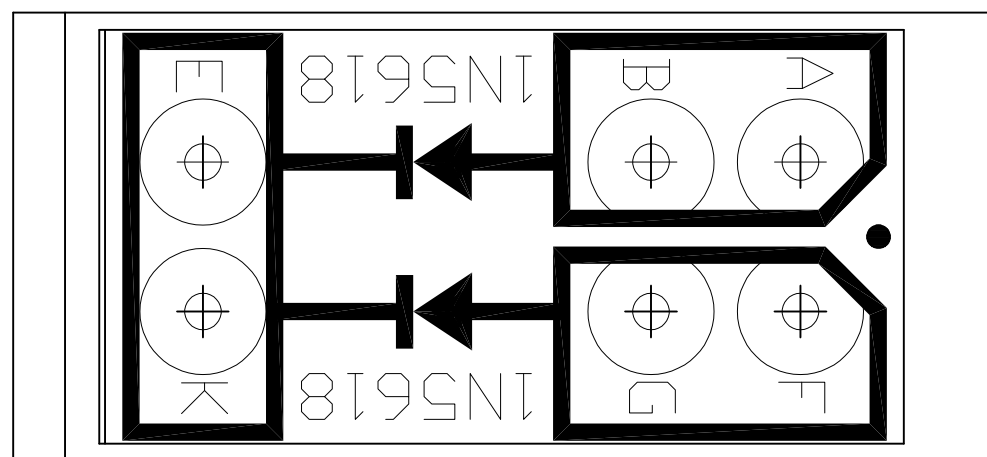


SCHEMATIC FOR -1
SCALE 4:1



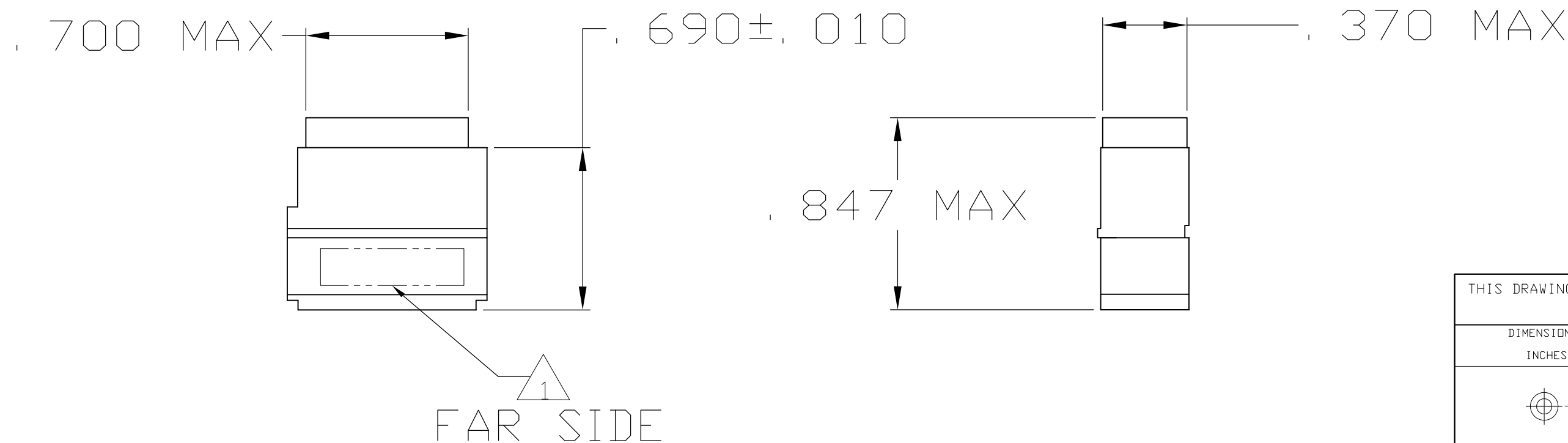
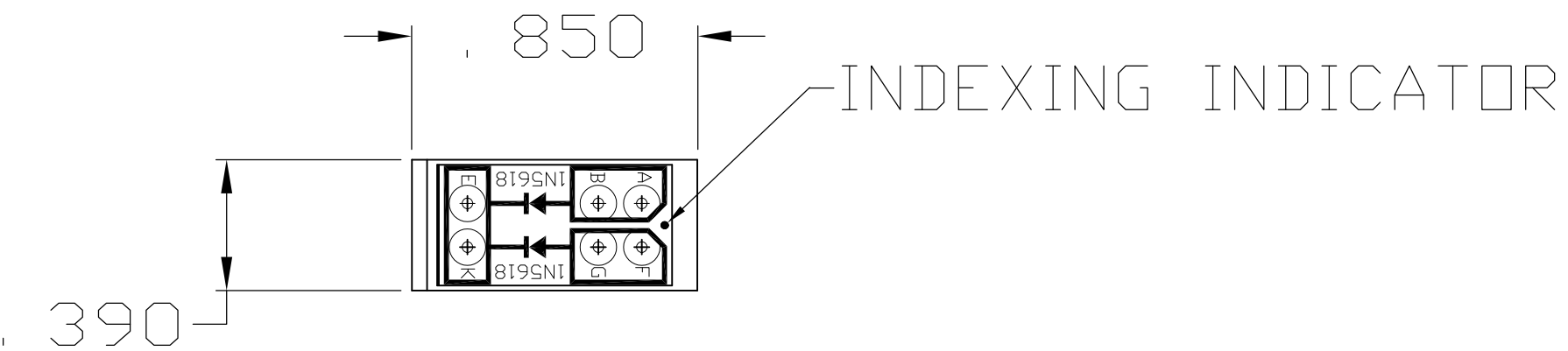
SCHEMATIC FOR -2
SCALE 4:1

WIRING SCHEMATIC ABOVE DOES NOT DETERMINE MARKING ORIENTATION



MARKING ORIENTATION REF -1 SHOWN

- MARK MODULE ASSEMBLY WITH "AMP", AMP PART NO. AND DATE CODE .060 MINIMUM HIGH CHARACTERS AT APPROXIMATE AREA SHOWN.
 - PIN CONTACTS, SEALING PLUGS AND TOOLS NOT SUPPLIED MUST ORDER SEPARATELY.
- | ITEMS | AMP P/N | MILITARY P/N |
|---------------|------------|--------------|
| PIN CONTACTS | 2-592404-1 | M39029/1-101 |
| SEALING PLUGS | 592104-1 | MS27488-20 |
| TOOLS | 592105-1 | M81969/14-11 |
- MODULE MEETS APPLICABLE REQUIREMENTS OF MIL-T-81714 CLASS "B". ENVIRONMENTS CREATED BY OPERATION OF INTERNAL ELECTRIC COMPONENTS WHICH EXCEED THE MODULE RATED PERFORMANCE IS THE RESPONSIBILITY OF THE USER. THE ELECTRONIC COMPONENT SPECIFICATION SHOULD BE CONSULTED.
- DIODE MQ1N5618, MX1N5618 OR MXV1N5618 MAY BE SUBSTITUTED FOR JAN1N5618. DIODES MAY BE A COMMERCIAL DIODE THAT HAS BEEN UP-SCREENED TO MEET THE REQUIREMENTS OF JAN1N5618



SEE SCHEMATIC	591817-2
SEE SCHEMATIC	591817-1
PART	PART NO.

THIS DRAWING IS A CONTROLLED DOCUMENT.		DWN 8-26-03 C. C. THOMAS	Tyco Electronics Corporation Harrisburg, Pa 17105-3608
DIMENSIONS: INCHES		CHK 8-27-03 D. EABY	
TOLERANCES UNLESS OTHERWISE SPECIFIED:		APVD 8-27-03 D. EABY	NAME
0 PLC ± -		PRODUCT SPEC	-
1 PLC ± -		APPLICATION SPEC	FEED-BACK MODULE ASSY, SIZE 20, TJ WITH TWO DIODES
2 PLC ± -			SIZE CAGE CODE DRAWING NO RESTRICTED TO
3 PLC ± .010		WEIGHT -	A2 00779 C-591817
4 PLC ± -		CUSTOMER DRAWING	SCALE 2:1 SHEET 1 OF 1 REV E
ANGLES ± -			
FINISH -			