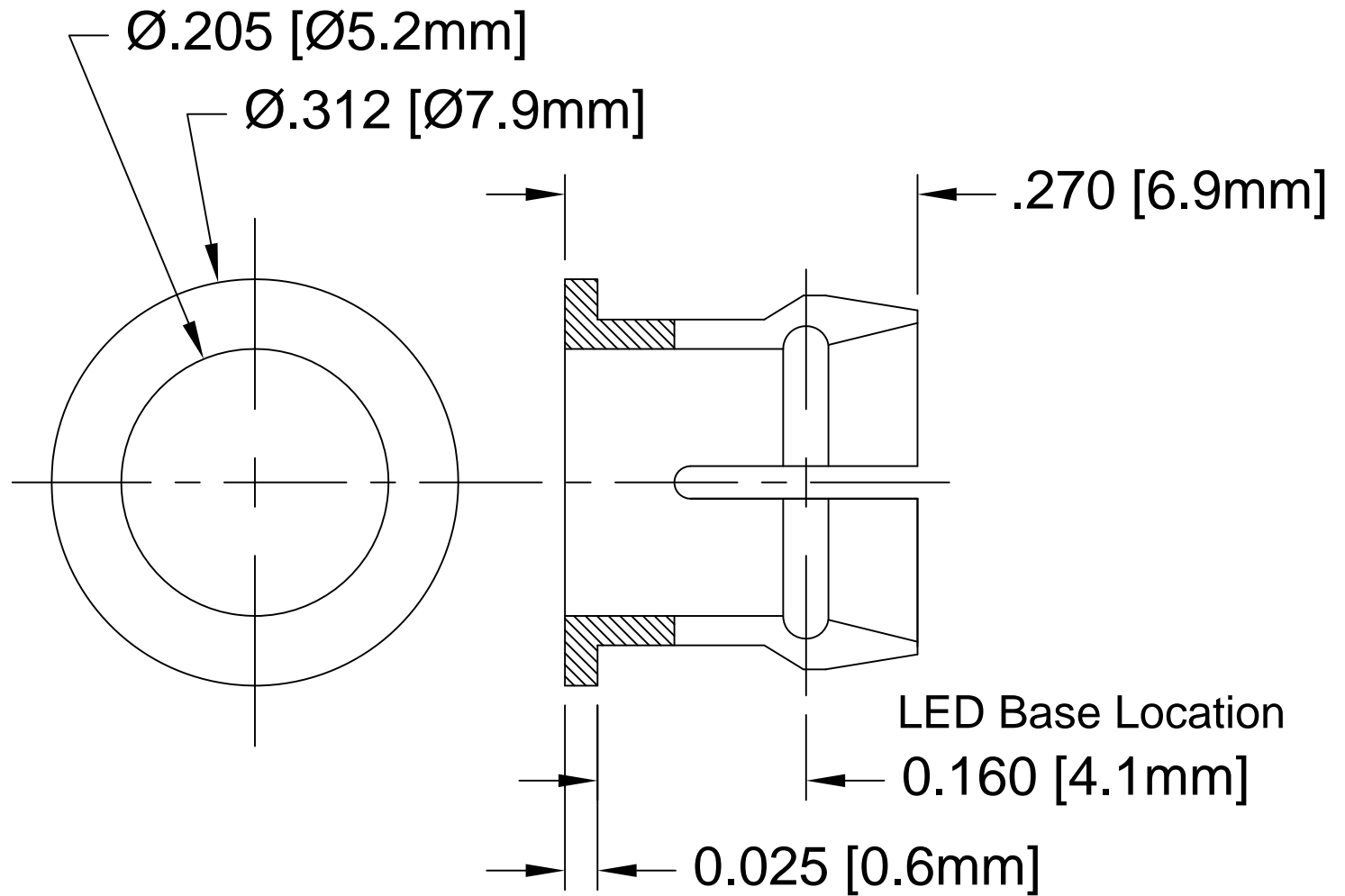


REV.	DESCRIPTION	DATE	APPROVED
A	Engineering Release	02/09/05	M. C.
B	Corrected Part Number	11/02/06	M. C.
C	Overall Length Change to 0.270"	11/29/07	M. C.
D	Removed Material Code	05/28/16	J. C.



2. MATERIAL: NYLON 6/6, 94V-0, BLACK.

1. GENERAL SPECIFICATIONS: BIVAR MOLDED COMPONENT SPECIFICATION BV00-E101.

STANDARD TOLERANCE (UNLESS OTHERWISE SPECIFIED)		BIVAR <sup>®</sup>	
DECIMALS	ANGULAR	4 THOMAS, IRVINE, CA. 92618	
.X ± .1	X° ± 1°	TEL: (949) 951-8808 FAX: (949) 951-3974	
.XX ± .01		<b>TITLE:</b> CLIP FOR SMALL FLANGE T-1¼ (5mm) LED HOLDER	
.XXX ± .005			
DESIGNED: <b>D. Green</b>	DATE: <b>02/09/05</b>	<b>PART NO:</b> C-175	REVISION: <b>D</b>
CHECKED: <b>T. Yin</b>	DATE: <b>02/09/05</b>	<b>CAGE CODE :</b> 32559	<b>SHEET # 1 OF 1</b>
CAD GENERATED DOCUMENT. DO NOT MEASURE DRAWING.			