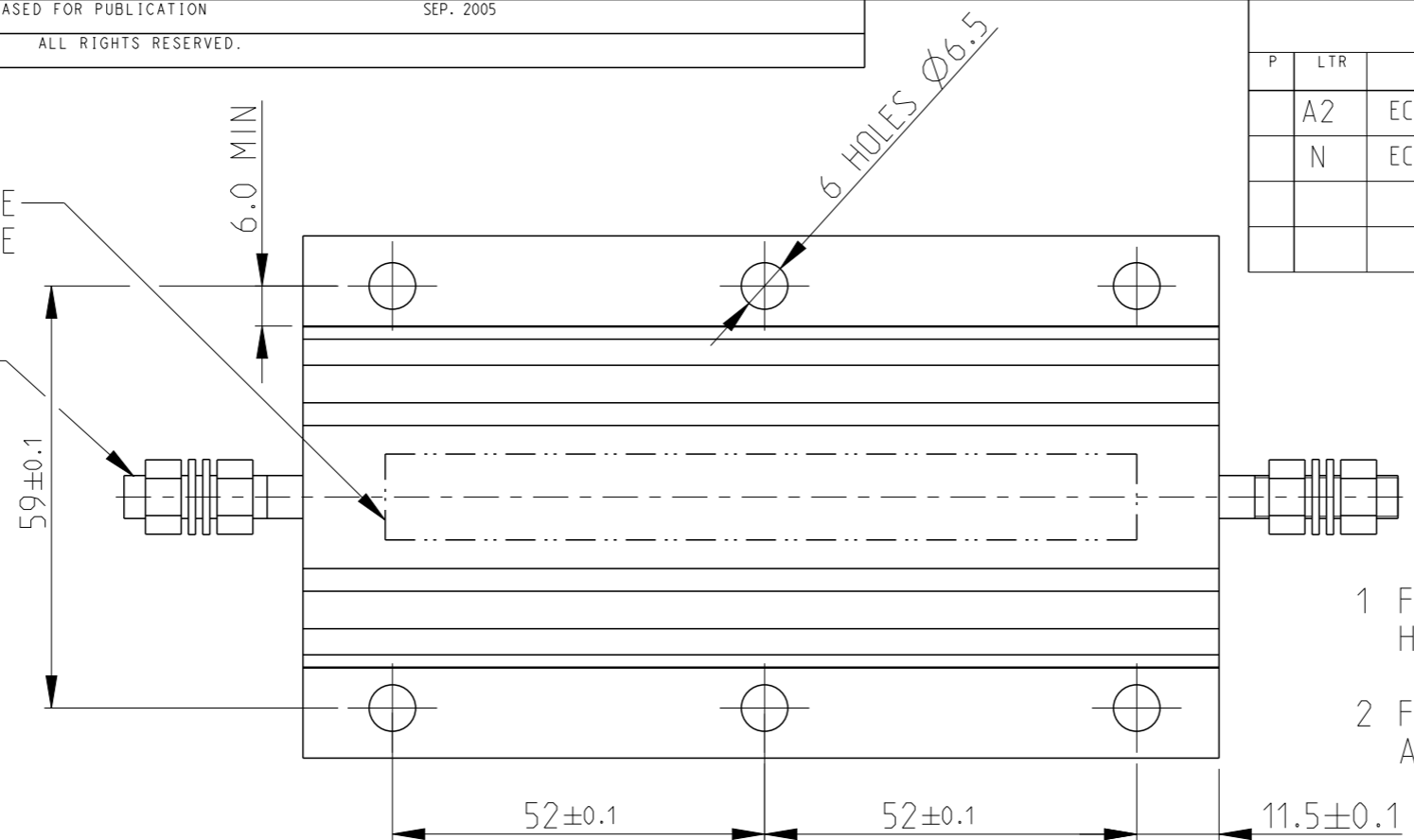


REVISIONS

P	LTR	DESCRIPTION	DATE	DWN	APVD
A2		ECR-11-020603	07AUG2012	KR	OP
N		ECR-16-003733	14MAR2016	KR	TN

LASER MARKING: TE LOGO PN VALUE TOLERANCE & DATE CODE

M6 ST/STEEL TERMINAL STUDS. EACH SUPPLIED WITH : 2 OFF M6 ST/STEEL FULL NUTS 2 OFF M6/STEEL PLAN WASHERS

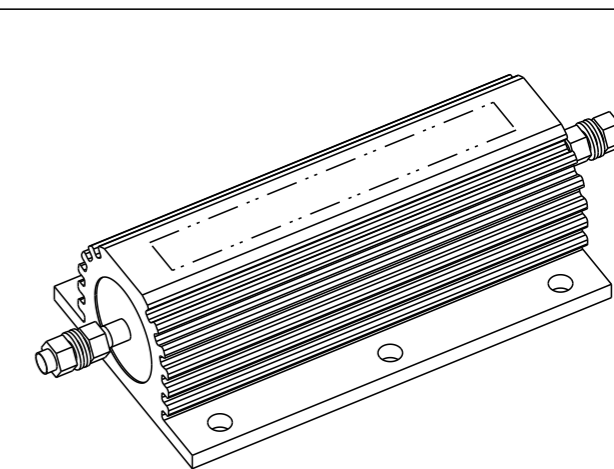
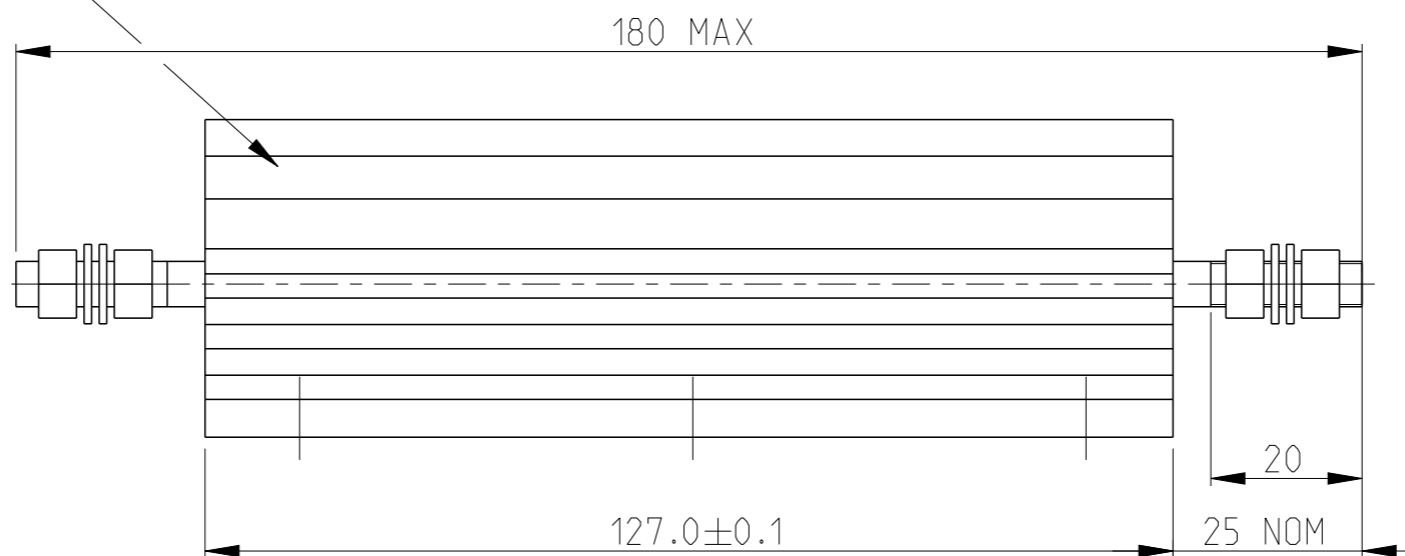
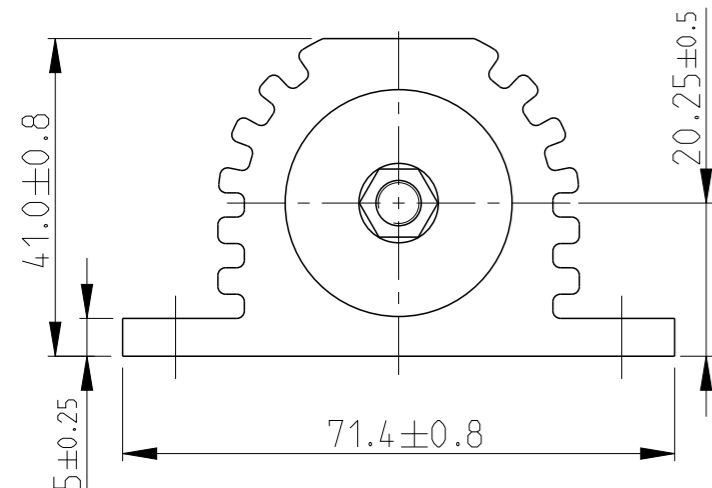


1 FOR FURTHER INFORMATION SEE DATA SHEET FOR HS SERIES-ALUMINIUM HOUSED RESISTORS

2 FOR A SPECIFIC PN FOR A RESISTANCE VALUE AND TOLERANCE, PLEASE REFER TO DMF

GOLD ANODISED ALUMINIUM HOUSINGS

RoHS Compliant



THIS DRAWING IS A CONTROLLED DOCUMENT.

DWN 28.SEP.05 DAVE KENNEDY

CHK 29.SEP.05 J CATCHPOLE

APVD 29.SEP.05 J CATCHPOLE

PRODUCT SPEC

APPLICATION SPEC

WEIGHT

CUSTOMER DRAWING

NAME HSC300

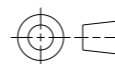
SIZE CAGE CODE DRAWING NO RESTRICTED TO

A3 00779 C=1630027

SCALE 1:1 SHEET 1 OF 1 REV N

DIMENSIONS: mm

TOLERANCES UNLESS OTHERWISE SPECIFIED:



0 PLC	±0.5
1 PLC	±0.2
2 PLC	±0.1
3 PLC	±
4 PLC	±
ANGLES	±5°

MATERIAL material\_2

FINISH finish\_spec\_2



TE Connectivity