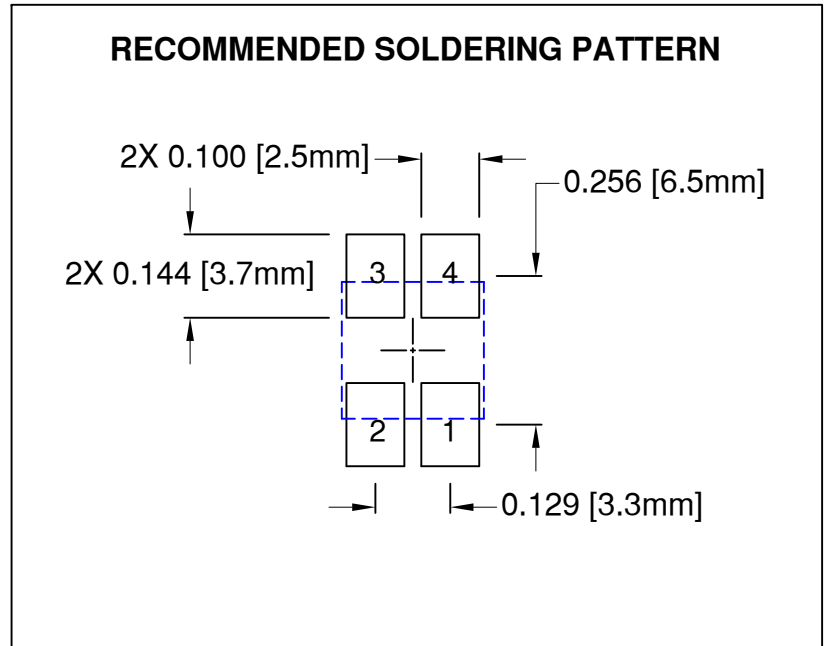
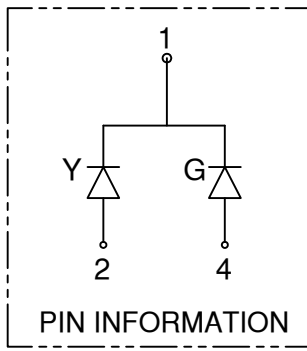
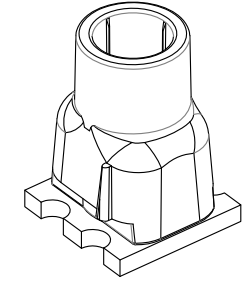
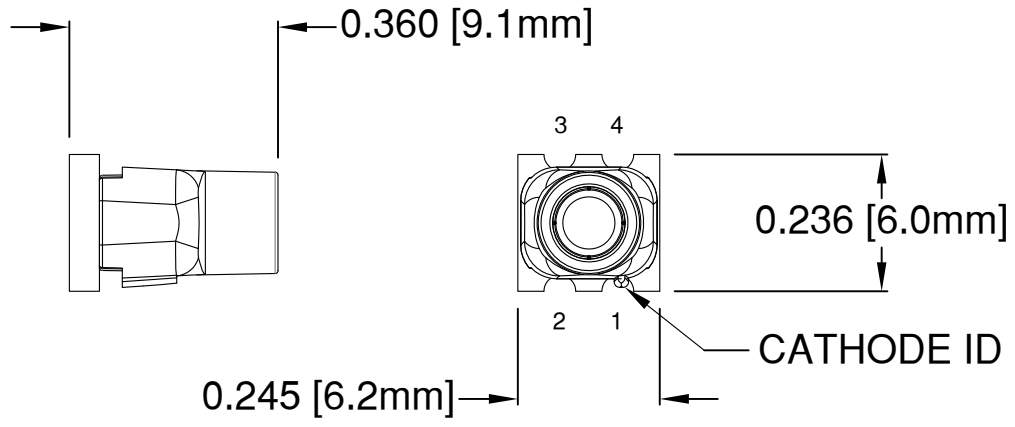


REV.	DESCRIPTION	DATE	APPROVED
B	Engineering Release	02/27/15	J. C.
C	Revised Side View, See Page 4	03/20/15	J. C.
D	Corrected Typo in Recom. Soldering Pattern	09/12/16	J. C.



ABSOLUTE MAXIMUM RATINGS at Ta=25°C	
REVERSE VOLTAGE	5V
REVERSE CURRENT	100µA
OPERATING TEMPERATURE RANGE	-35°C - 85°C
STORAGE TEMPERATURE	-35°C - 85°C
MAX SOLDERING TEMPERATURE	260°C FOR 3 SECONDS


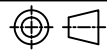
NOTES:
 2. DERATING OF FORWARD CURRENT PER SEGMENT, 0.30mA/°C at T ≥ 25°C
 1. ACCEPTS BIVAR FLEXIBLE LIGHT PIPE STYLE FLPS2031

STANDARD TOLERANCE (UNLESS OTHERWISE SPECIFIED)		 4 THOMAS, IRVINE, CA. 92618 TEL: (949) 951-8808 FAX: (949) 951-3974	
DECIMALS	ANGULAR		
.X ± .1	X° ± 1°		
.XX ± .02			TITLE: SMT FLP VERTICAL ADAPTER BI-COLOR, YELLOW/GREEN
.XXX ± .010			PART NO: SMTV01-YXXGXX CAGE CODE : 32559 SHEET # 1 OF 4
DESIGNED: A. Wright	DATE: 03/13/14	REVISION: D	CAD GENERATED DOCUMENT. DO NOT MEASURE DRAWING.
CHECKED: B. Oliver	DATE: 03/13/14		

REV.	DESCRIPTION	DATE	APPROVED
	SEE SHEET #1		

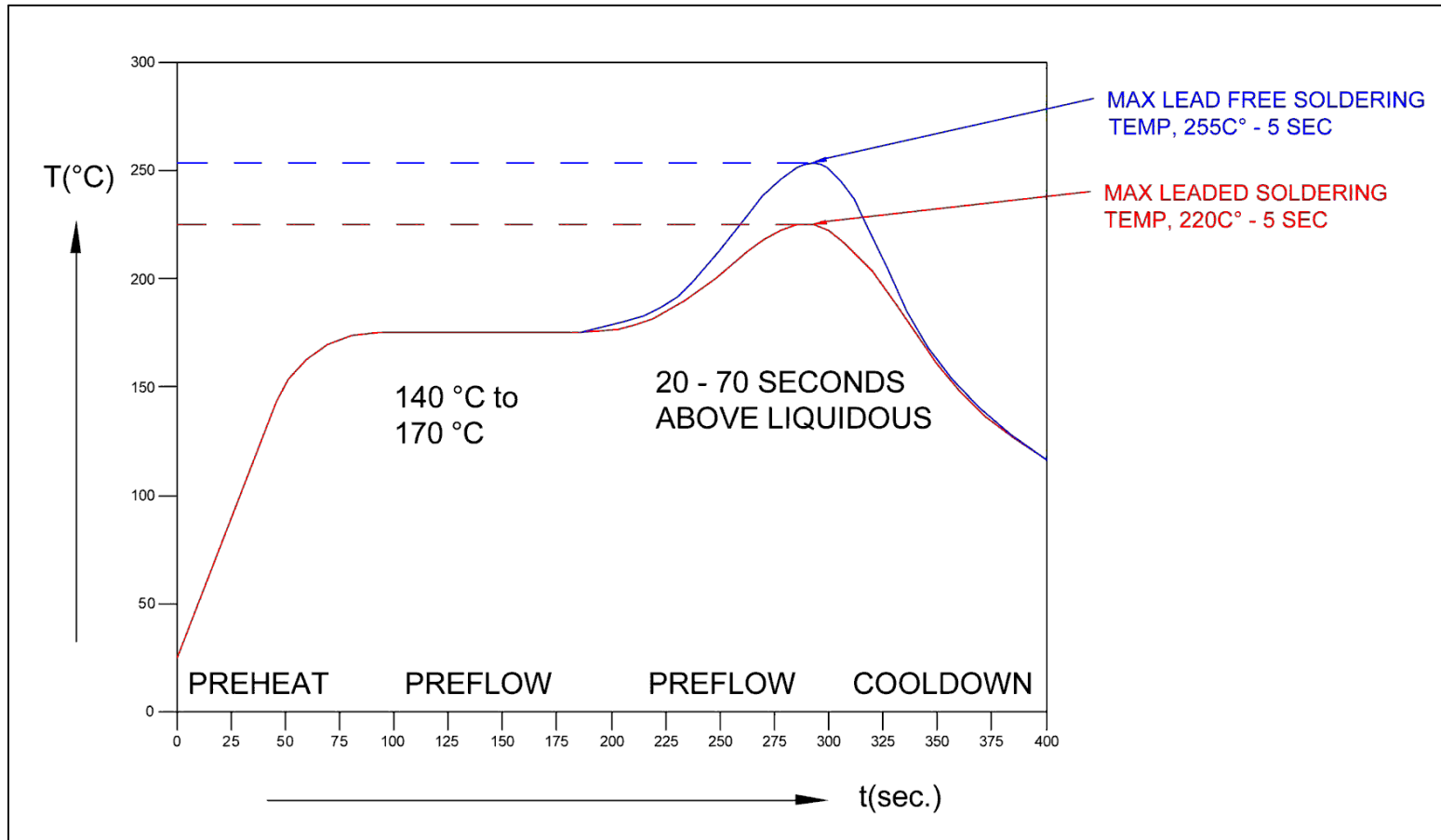
Part Number	Chip			Absolute Maximum Ratings Per Segment			Electro-Optical Data @20mA, 25°C				
	Emitted Color	λ_D [nm]			P_d [mW]	I_f [mA]	Peak I_f [mA]	V_f [V]			I_v [mcd]
		MIN	TYP	MAX				MIN	TYP	MAX	TYP
SMTV01-Y11G15	YELLOW	585	590	595	60	25	100	1.8	2.1	2.6	110
	GREEN	510	515	520	60	25	100	2.8	3.3	3.8	149
SMTV01-Y14G33	YELLOW	585	590	595	60	25	100	1.8	2.1	2.6	143
	GREEN	510	515	520	60	25	100	2.8	3.3	3.8	325

Note: 10% Duty Cycle, Pulse Width ≤ 0.1 msec for Peak I_f .

STANDARD TOLERANCE (UNLESS OTHERWISE SPECIFIED)		 BIVAR [®] 4 THOMAS, IRVINE, CA. 92618 TEL: (949) 951-8808 FAX: (949) 951-3974	
DECIMALS	ANGULAR		
.X ± .1	X° ± 1°	 TITLE: SMT FLP VERTICAL ADAPTER BI-COLOR, YELLOW/GREEN	
.XX ± .02			
.XXX ± .010		PART NO: SMTV01-YXXGXX REVISION: D	
DESIGNED: A. Wright			
CHECKED: B. Oliver		DATE: 03/13/14	
		CAGE CODE : 32559 SHEET # 2 OF 4 CAD GENERATED DOCUMENT. DO NOT MEASURE DRAWING.	


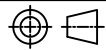
REV.	DESCRIPTION	DATE	APPROVED
	SEE SHEET #1		

Recommended Reflow Soldering Profile



NOTE:

1. Do not clean after soldering. Only use no-clean solder paste.

STANDARD TOLERANCE (UNLESS OTHERWISE SPECIFIED)		 4 THOMAS, IRVINE, CA. 92618 TEL: (949) 951-8808 FAX: (949) 951-3974			
DECIMALS	ANGULAR				
.X ± .1	X° ± 1°	 TITLE: SMT FLP VERTICAL ADAPTER BI-COLOR, YELLOW/GREEN			
.XX ± .02					
.XXX ± .010		DESIGNED: A. Wright	DATE: 03/13/14	PART NO: SMTV01-YXXGXX	REVISION: D
CHECKED: B. Oliver	DATE: 03/13/14	CAGE CODE : 32559		SHEET # 3 OF 4	
CAD GENERATED DOCUMENT. DO NOT MEASURE DRAWING.					

