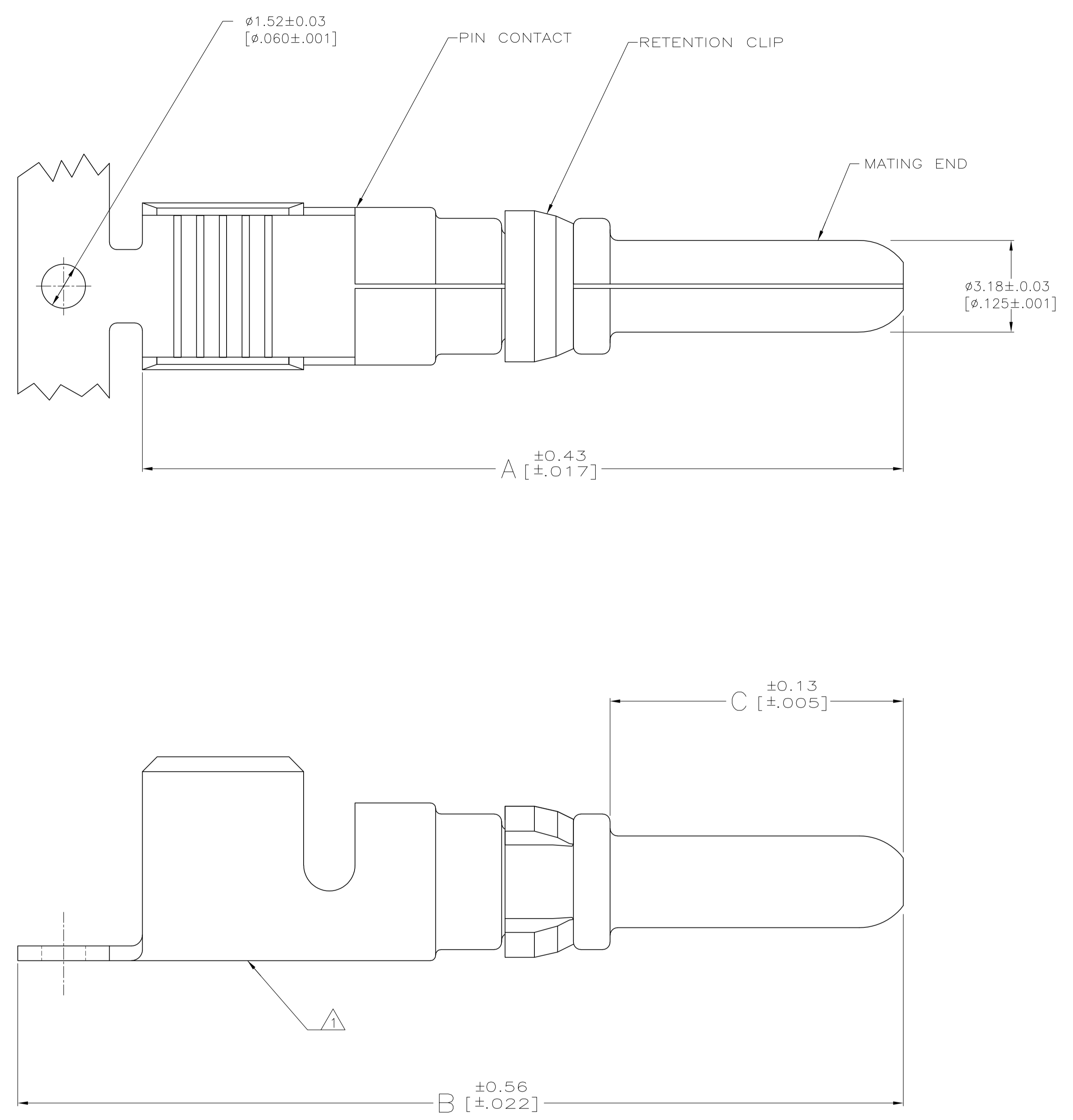
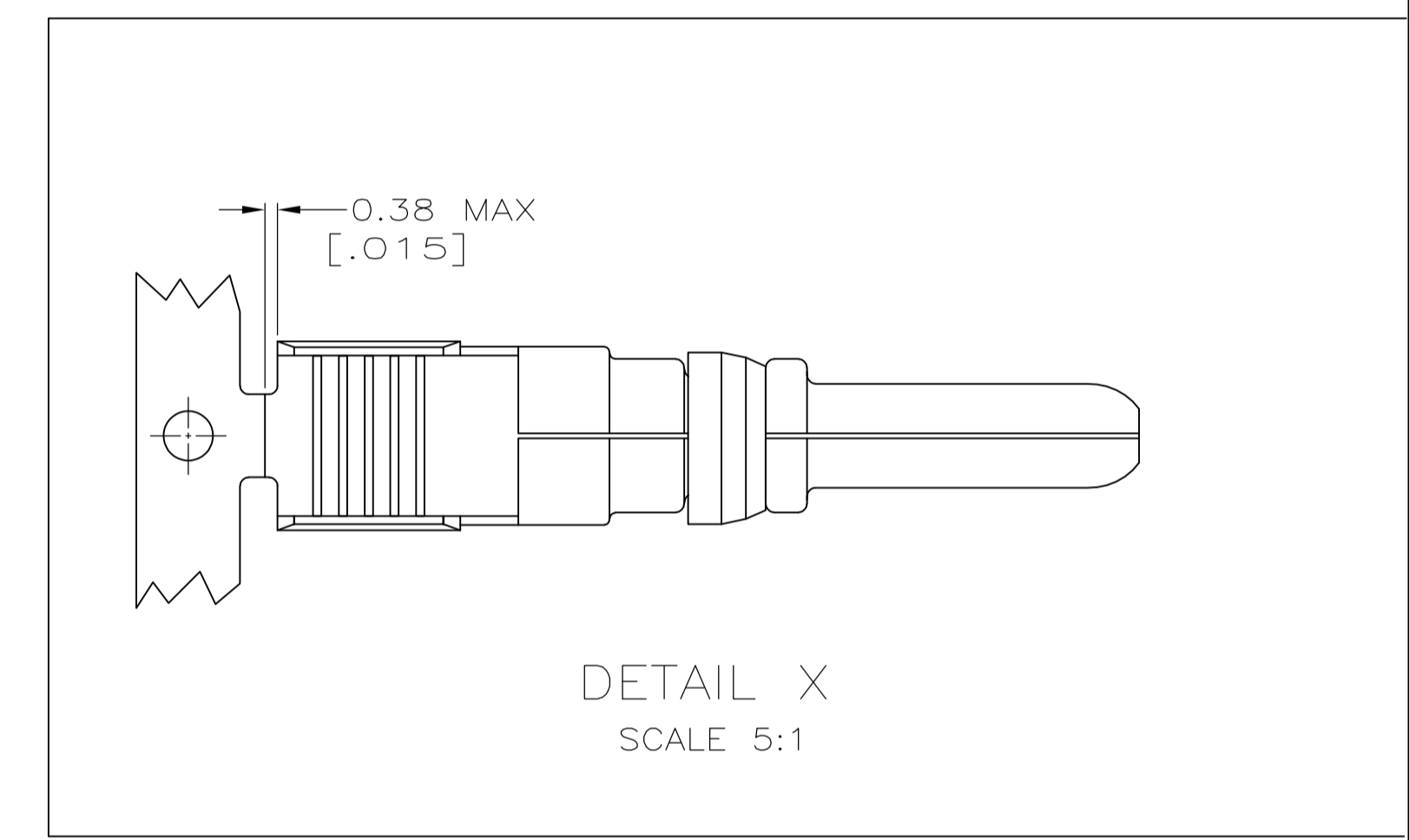


REVISIONS					
REV	BY	DESCRIPTION	DATE	APP'D	REV
B2		REVISED PER ECO-16-004223	19JUL2016	NK	MZ



- 1 WIRE SIZE AND LOGO APPEAR ON OUTSIDE OF WIRE BARREL.
- 2 RETENTION CLIP: PHOSPHOR BRONZE PER QQ-B-750.
PIN CONTACT: COPPER PER QQ-C-576.
- 3 PIN CONTACT: $0.76\mu\text{m}$ [$.000030$] MIN GOLD PER MIL-G-45204 ON CONTACT MATING END, GOLD FLASH ON REMAINDER, ALL OVER $1.27\mu\text{m}$ [$.000050$] MIN NICKEL PER QQ-N-390.
RETENTION CLIP: $2.54\mu\text{m}$ [$.000100$] MIN NICKEL PER QQ-N-290.
- 4 PIN CONTACT: $5.08\mu\text{m}$ [$.000200$] MIN SILVER PER QQ-S-365 ON CONTACT MATING END, $1.27\mu\text{m}$ [$.000050$] MIN SILVER ON REMAINDER, ALL OVER $1.27\mu\text{m}$ [$.000050$] MIN NICKEL PER QQ-N-290.
RETENTION CLIP: $2.54\mu\text{m}$ [$.000100$] MIN NICKEL PER QQ-N-290.



REV	DESCRIPTION	DATE	APP'D	REV	
3	12.32 [.485]	-	28.52 [1.123]	DETAIL X	213841-8
4	12.32 [.485]	-	28.52 [1.123]	DETAIL X	213841-7
3	12.32 [.485]	32.84 [1.293]	28.52 [1.123]	-	213841-6
4	12.32 [.485]	32.84 [1.293]	28.52 [1.123]	-	213841-5
3	10.16 [.400]	-	26.37 [1.038]	DETAIL X	213841-4
4	10.16 [.400]	-	26.37 [1.038]	DETAIL X	213841-3
3	10.16 [.400]	30.68 [1.208]	26.37 [1.038]	-	213841-2
4	10.16 [.400]	30.68 [1.208]	26.37 [1.038]	-	213841-1
FINISH	C	B	A	LOOSE PIECE	PART NUMBER

THIS DRAWING IS A CONTROLLED DOCUMENT.

DIMENSIONS: mm [INCHES]

TOLERANCES UNLESS OTHERWISE SPECIFIED:

0. PLC	±	-
1. PLC	±	-
2. PLC	±	-
3. PLC	±	-
4. PLC	±	-
ANGLES	±	-

MATERIAL: SEE TABLE

FINISH: SEE TABLE

THIS DRAWING IS A CONTROLLED DOCUMENT. DIN C. OBERMAN 21 MAR 96. CHK R. STONE 25 MAR 96. APP'D G. STEINHÄUER 26 MAR 96. NAME: PIN CONTACT ASSEMBLY 8-10 AWG, POWERBAND, METRIMATE. APPLICATION SPEC: METRIMATE. SIZE: A1. CAGE CODE: 00779. DRAWING NO: 213841. WEIGHT: -. RESTRICTED TO: CUSTOMER DRAWING. SCALE: 10:1. SHEET: 1 OF 1. REV: B2.

STE TE Connectivity