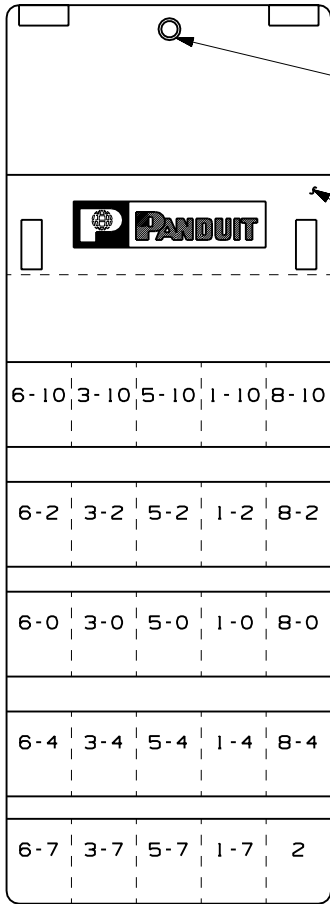


THIS COPY IS PROVIDED ON A RESTRICTED BASIS AND IS NOT TO BE USED IN ANY WAY DETRIMENTAL TO THE INTERESTS OF PANDUIT CORP.



EYELET FOR SUSPENSION FROM NAIL, SCREW OR CABLE TIE.

AUXILIARY POCKET FOR EXTRA CABLE TIES OR TOOLS

6-10 | 3-10 | 5-10 | 1-10 | 8-10 ← NYLON COLOR NO. SUFFIX

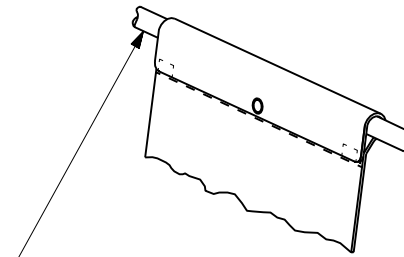
6-2 | 3-2 | 5-2 | 1-2 | 8-2

6-0 | 3-0 | 5-0 | 1-0 | 8-0

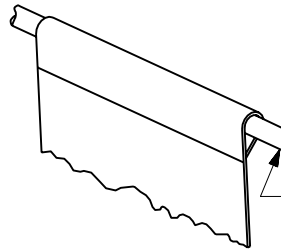
6-4 | 3-4 | 5-4 | 1-4 | 8-4

6-7 | 3-7 | 5-7 | 1-7 | 2

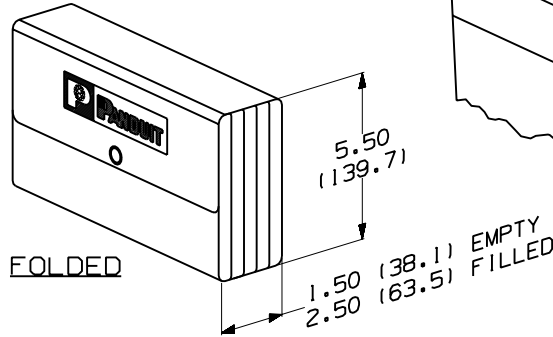
UNFOLDED



WHEN FOLDED IN THE FORWARD POSITION, POUCH CAN BE SUSPENDED ON A CABLE OR PIPE UP TO 2.00 (.51) DIA.



WHEN FOLDED IN THE BACKWARD POSITION, POUCH CAN BE SUSPENDED ON A CABLE OR PIPE UP TO 4.00 (101.6) DIA.



NOTES:

- 1) POUCH IS AVAILABLE EMPTY, PPC25X50, OR FILLED PPC25X50F PER THIS DRAWING.
- 2) POUCH IS MADE OF NYLON/VINYL AND BINDING MADE OF COLD RESISTANT NYLON ABLE TO WITHSTAND HANDLING TEMPERATURES OF -20°F OR ABOVE.

STRIPE COLOR	CABLE TIE COLOR	COLOR NO. SUFFIX
WHITE	BLUE	6-10
	ORANGE	3-10
	GREEN	5-10
	BROWN	1-10
	SLATE	8-10
RED	BLUE	6-2
	ORANGE	3-2
	GREEN	5-2
	BROWN	1-2
	SLATE	8-2
BLACK	BLUE	6-0
	ORANGE	3-0
	GREEN	5-0
	BROWN	1-0
	SLATE	8-0
YELLOW	BLUE	6-4
	ORANGE	3-4
	GREEN	5-4
	BROWN	1-4
	SLATE	8-4
VIOLET	BLUE	6-7
	ORANGE	3-7
	GREEN	5-7
	BROWN	1-7
NONE	RED	2

DIMENSIONS IN PARENTHESES ARE IN METRIC UNITS

PANDUIT CORP. TINLEY PARK, ILLINOIS

PPC-PAN POUCH™ NYLON/VINYL CABLE TIE HOLDER

UNLESS OTHERWISE SPECIFIED, DIMENSIONAL TOLERANCES ARE:  
 (.X) ± (.XXX) ±  
 (.XX) ± ANGLES ±

UNLESS OTHERWISE SPECIFIED, ALL DIMENSIONS ARE GIVEN IN INCHES, THIRD ANGLE PROJECTION.

DRAWN BY CEW

MAT'L:

SCALE NONE

4 8/11/06 JABO

REMOVED SLATE CABLE TIE WITH VIOLET STRIPE 8-7. NOT INCLUDED IN PAN POUCH

SS-19095 4

DATE 7-3-84

SEE NOTE 2

DRAWING NO.

SS-19095

DWG A SIZE

REV DATE BY CHK

DESCRIPTION

ECN - R CUST SUP

CHK'D AJ CEPKO