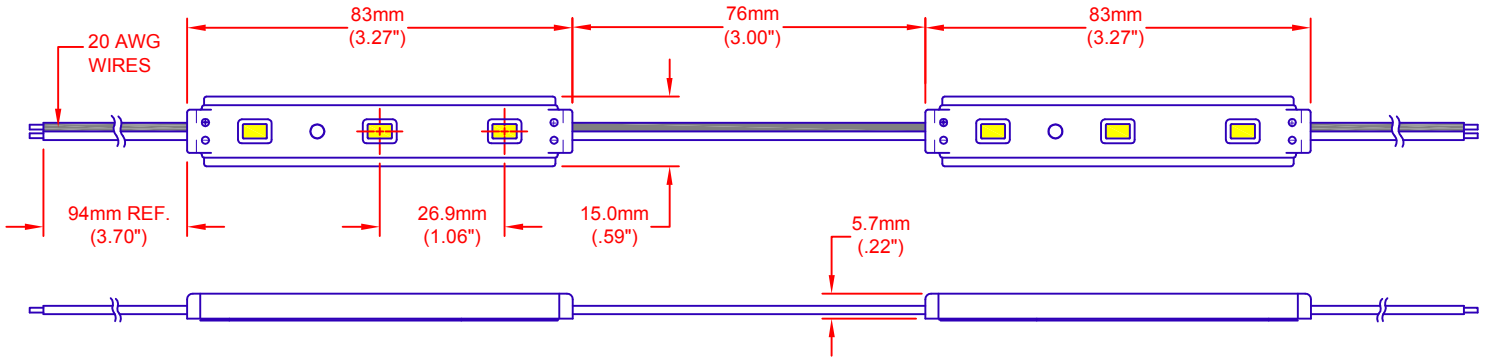


83.0mm X 15mm WATER RESISTANT LED MODULES

FEATURES

- VOLTAGE: 12V DC PER MODULE
- CURRENT: 100mA PER MODULE
- LED VIEWING ANGLE (2 θ 1/2): 120°
- MODULE THICKNESS: 6.0mm
- PACKAGE: 20 PIECES PER REEL
- WATER RESISTANCE - IP67



WIRES: WHITE WITH RED STRIP IS V+, PLAIN WHITE IS V-

Absolute Maximum Rating at TA = 25°C

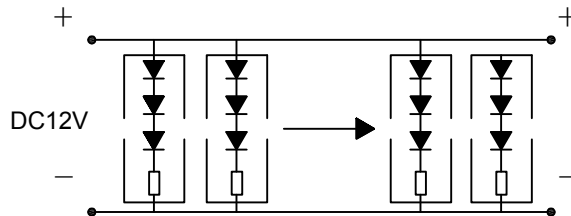
Parameter	Symbol	Absolute MAX. Rating	Unit
Forward Current	IF	100	mA
Power Dissipation	PD	1.2	W
Electrostatic Discharge	ESD	800	V
Operating Temperature	Topr	-20~+60	°C
Storage Temperature	Tstg	-25~+80	°C

Electrical/Optical Characteristics at TA = 25°C

Parameter	Symbol	Condition	Min	Typ	Max	Unit
Forward Voltage DC	VF	IF = 100mA	--	12	--	V
Color Temperature	TC	IF = 100mA	--	9500	--	K
Luminous Flux per Module	φV/Mod	IF = 100mA	--	130	--	lm/mod
Luminous Flux per Ft.	φV/Ft	--	--	260	--	lm/ft
Recommend Forward Current	IF(rec)	--	--	100	--	mA

NOTES:

- STANDARD MOUNTING INCLUDES ADHESIVE BACKING AND MOUNTING HOLE FOR A #3 SCREW (SCREWS NOT INCLUDED).
- JKL ACCESSORIES TO BE ORDERED SEPARATELY: ZPS-1235 OR ZPS-1260 POWER SUPPLIES.
- DUE TO WIRE GAUGE USED IN THE CONSTRUCTION OF THE MODULES SERIAL RUNS SHOULD BE LIMITED TO 11 FEET OR 20 MODULES.
- POWER CONSUMPTION 2.4 WATTS PER FOOT.



PLEASE REFER TO JKL APPLICATION SHEET: JKL-AS-ZM-CHANNEL-LED FOR INSTALLATION AND POWER RECOMMENDATIONS.

JKL PART NO.: ZM-8315-CW

ATTENTION



OBSERVE PRECAUTION FOR HANDLING ELECTROSTATIC DISCHARGE SENSITIVE DEVICES

METRIC	DIMENSIONS ARE IN mm & (INCHES)
	TOLERANCE UNLESS OTHERWISE SPECIFIED
THIRD ANGLE PROJECTION	1 PL +/- REF.
	2 PL +/- ANGLE +/-
DRAWN BY	APP'VD BY DATE
L. WENGSTROM	L.R. 3/23/16
- CAD DRAWING -	
MANUAL REVISIONS NOT PERMITTED	

JKL COMPONENTS CORPORATION

TITLE
COOL WHITE 3-LED CHANNEL LIGHT

A	CHANGE COLOR TEMP TO 9500 TYP.	3/23/16	DRAWN BY	APP'VD BY DATE	SIZE	FSCM NO.	DRAWING NO.	ZM-8315-CW	
	RELEASED	2/28/16	L. WENGSTROM	L.R. 3/23/16	A	55335			
REV. NO.	DESCRIPTION/ECO NUMBER	APP'VD DATE	- CAD DRAWING -		SCALE	RELEASED DATE	REVISION DATE	REV. NO.	SHEET
			MANUAL REVISIONS NOT PERMITTED		NONE	2/28/16	3/23/16	A	1 OF 1