

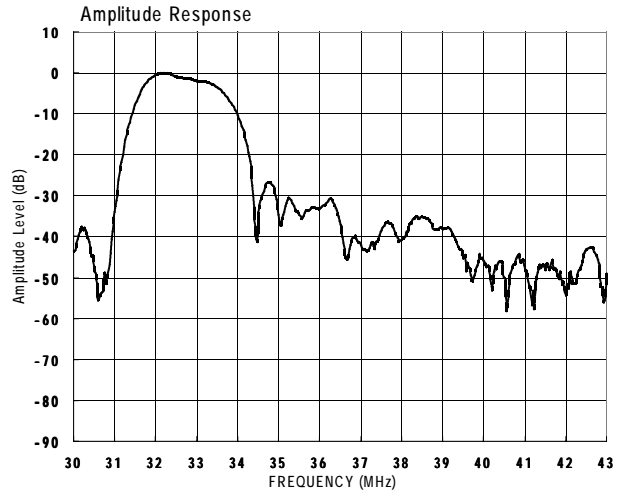
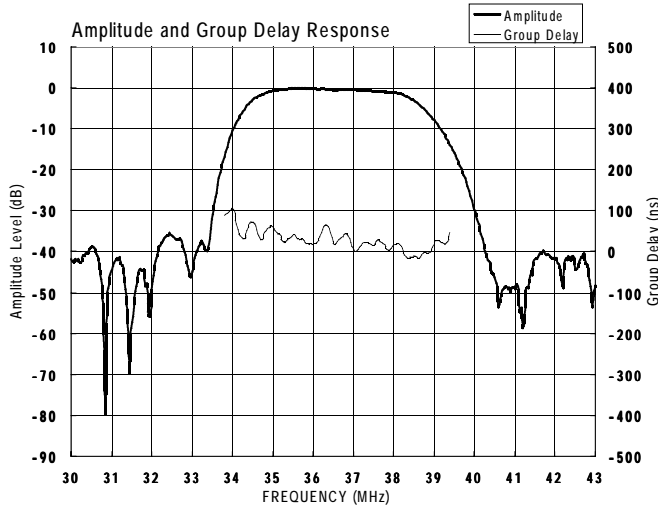
TSB6326C

APPLICATION : IF Filter for Video and Sound

IF SYSTEM : 38.9 MHz
: BG,I,DK

VIDEO-CH

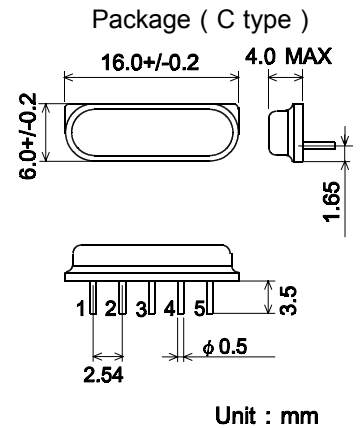
SOUND-CH



ELECTRIC CHARACTERISTICS (Ta = 25 °C)

· Drive Impedance : 50 Ω · Load Impedance : 1.2 kΩ || 5 pF

CHARACTERISTICS	Freq. (MHz)	SPECIFICATIONS		Unit	
		Video-CH	Sound-CH		
1 Amplitude Response	41.4	< -36	< -36	(dB)	
	40.4	< -36	< -36		
	38.9	-6.0 +/- 1.2	< -31		
	37.4	0 (Ref.)	-----		
	34.47	-2.3 +/- 1.2	< -24		
	33.4	< -29	-2.3 +/- 1.5		
	32.9	< -34	-1.0 +/- 1.2		
	32.4	< -29	0 (Ref.)		
	31.9	< -40	-0.3 +/- 1.5		
2 Spurious Response	25.0 ~ 31.9	< -32	-----	(dB)	
	40.4 ~ 45.0	< -31	-----		
	25.0 ~ 30.9	-----	< -30		
	38.9 ~ 45.0	-----	< -31		
3 Insertion Loss	37.4	-18.5 +/- 2.0	-----	(dB)	
	32.4	-----	-19.2 +/- 2.0		
4 Temperature Coefficient		-72		ppm/ °C	
5	Input Capacitance	1.0	18.8	(pF)	
	Input Resistance	37.4	1.4	-----	(KΩ)
		32.4	-----	1.1	
	Output Capacitance	1.0	5.1	-----	(pF)
		1.0	-----	5.3	
	Output Resistance	37.4	1.6	-----	(KΩ)
32.4		-----	1.4		



Pin Connection

NO.	FUNCTION
1	INPUT
2	GND
3	OUTPUT(Sound)
4	OUTPUT(Video)
5	OUTPUT(Video)

Equivalent Circuit

