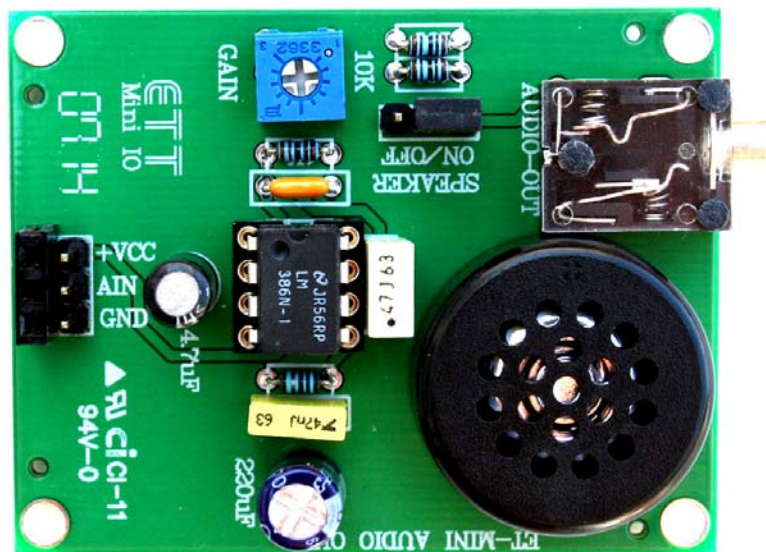


MR-MINI-AUDIO™ Mini Audio Output BOARD
User Manual

GRAVITECH.US



uResearch

GRAVITECH GROUP

Copyright © 2007 MicroResearch
GRAVITECH GROUP WWW.GRAVITECH.US

MR-MINI-AUDIO™ Mini Audio Output BOARD User Manual

Description

The MR-MINI-AUDIO is a mini amplifier with speaker board that receives input as the analog audio signal. The signal then amplifies and sends out through speaker. Moreover, there is a stereo jack that can be interfaced with headphone or external amplifier. PCB size is 2.20" x 1.70"

Specifications:

- Mini speaker model number PB-2015
- Receive signal as analog input
- Auto-cut audio of speaker PB-2015 on board when stereo jack is inserted.
- Amplifier circuit is using LM386 IC
- Adjustable gain of the amplifier circuit
- Male and Female header inputs.
- Small in size



MR-MINI-AUDIO™ Mini Audio Output BOARD User Manual

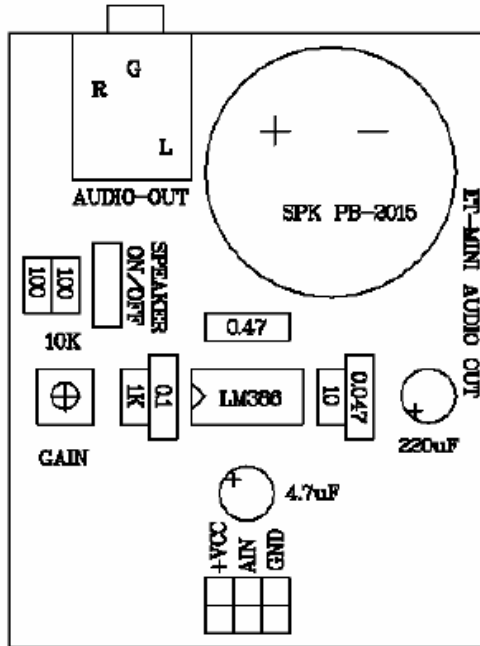


FIG 1: MR-MINI-AUDIO Board Layout

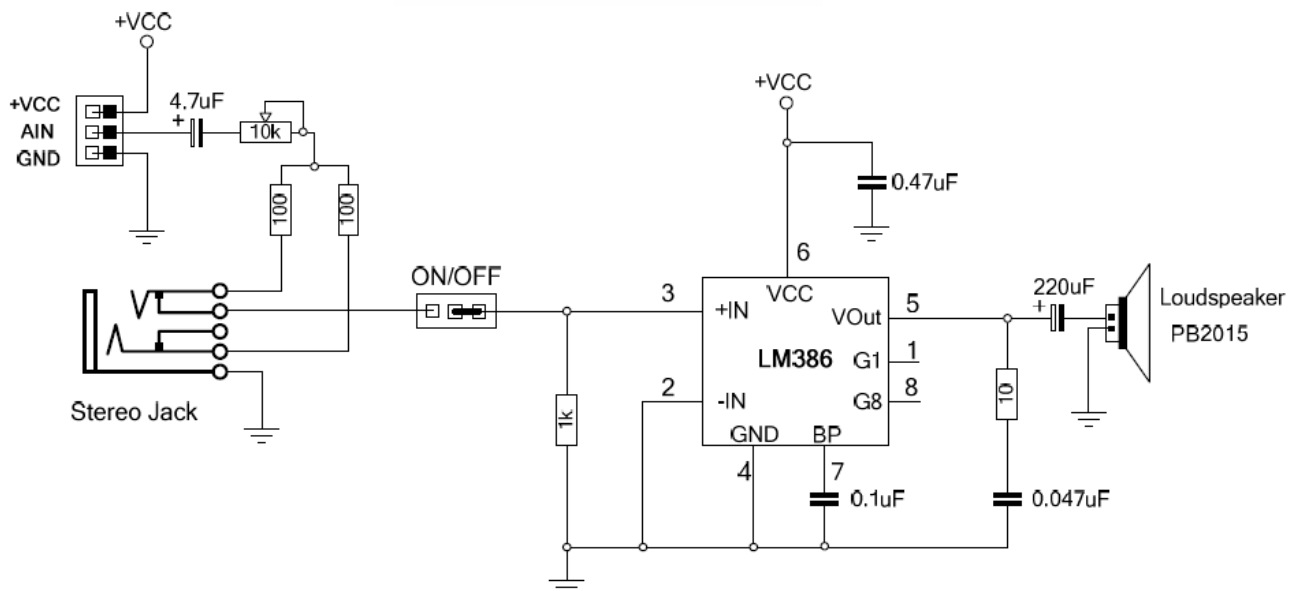


FIG 2: MR-MINI-AUDIO Schematic

MR-MINI-AUDIO™ Mini Audio Output BOARD User Manual

Notes

Contact Us

We maintain a website where you can get information on our products, obtain literature and download support files. Visit us online at:

WWW.GRAVITECH.US

Use our online Forum or e-mail your technical support questions to support@gravitech.us. We try to respond to your questions the same day.

For sales questions or to place and order, direct your e-mails to sales@gravitech.us. Refer to our website for product pricing, shipping rates, payment instructions, and for other info we need to complete your order.

Disclaimer: MicroResearch reserves the right to modify its products or literature, or to discontinue any product at any time without prior notice. The customer is responsible for determining the suitability of any device for any application developed using MicroResearch components.

Copyright © 2007 MicroResearch
GRAVITECH GROUP WWW.GRAVITECH.US