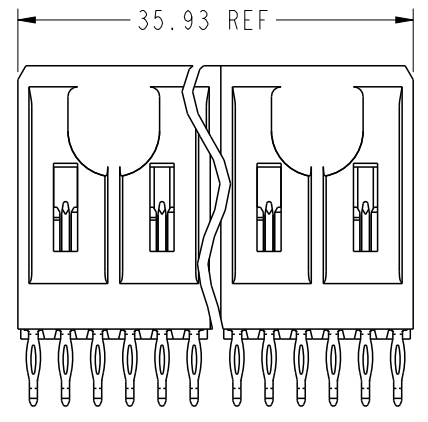
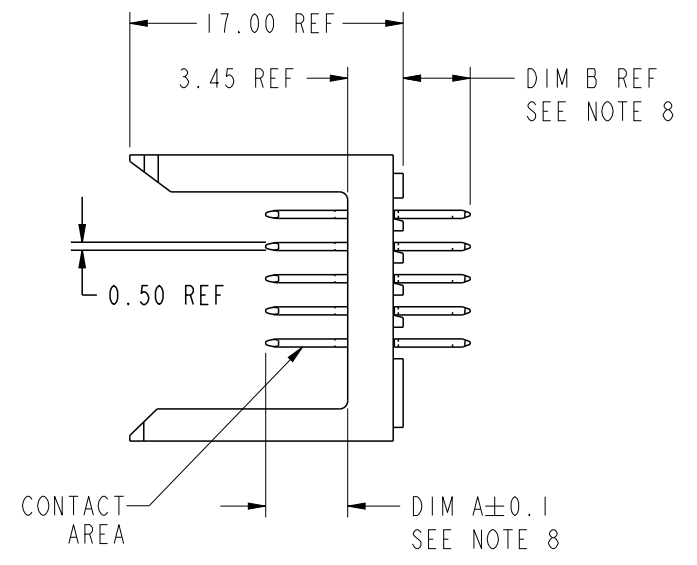
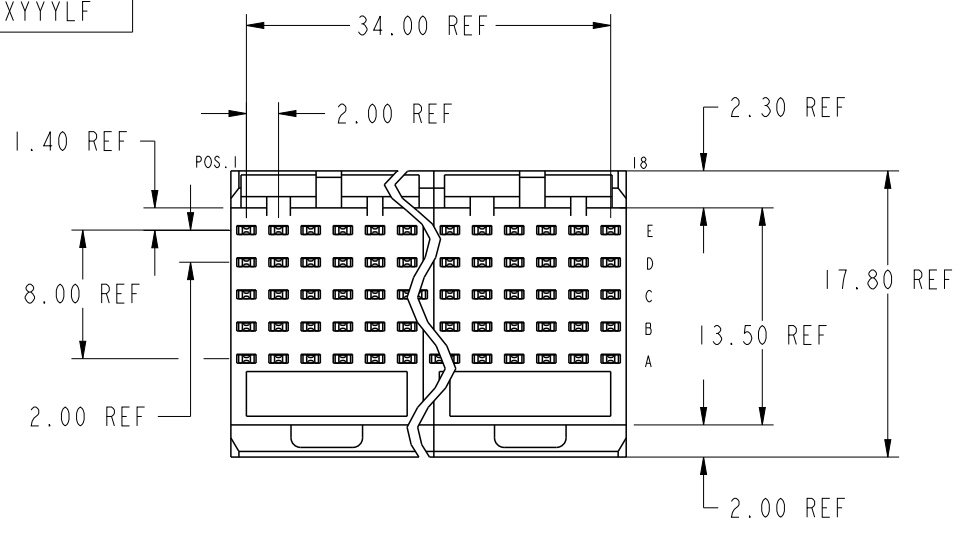


PRODUCT NUMBER  
73932-XXXX  
73932-XXXXLF



Copyright FCI.

spec ref *		dr Terran Huang 2010/07/08		projection 	MM 	size A4	scale 1:10		
tolerance std ISO 406 ISO 1101		eng Julia Wang 2012/09/19				ecn no ELX-DG-012854-1			
TOLERANCES UNLESS OTHERWISE SPECIFIED		chr -				rel level Released			
surface <input checked="" type="checkbox"/>		appr Pei-Ming Zheng 2012/09/19		product family METRAL		rev			
ISO 1302		linear	0.X ±0.3	title METRAL SIGNAL HEADER 3 MOD, 5ROW PRESS-FIT		73932			
			0.XX ±0.13			www.fci.com		V	
			0.XXX ±0.051					cat. no. -	
		angular	0° ±2°	-		sheet 1 of 5			

PrdE File - REV C - 2009-06-09

1

2

3

4

A

B

C

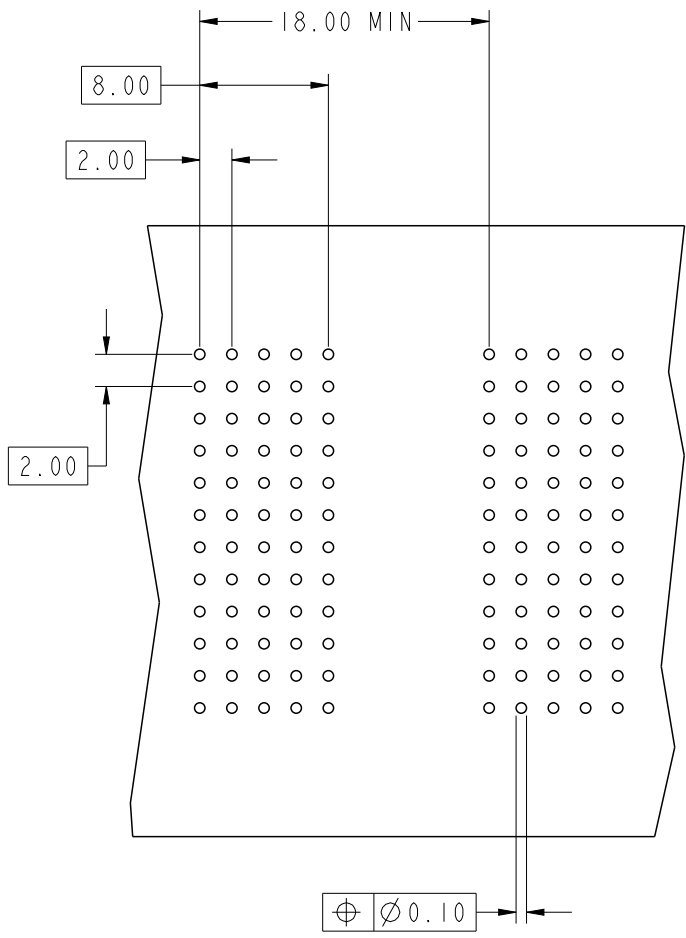
D

A

B

C

D



KEY		
CODE	DIMENSIONS	
	DIM "A" MATE	DIM "B" TAIL
1	5.00	4.30
2	5.75	4.30
3	6.50	4.30
19	8.00	4.30

REQUIRED PC BOARD LAYOUT  
 COMPONENT SIDE  
 SEE PRINT 58351 FOR  
 ADDITIONAL PCB INFORMATION

dr	Terran Huang	2010/07/08	projection 	MM 	size	A4	scale	21:10
eng	Julia Wang	2012/09/19			ecn no	ELX-DG-012854-1		
chr	-	-			rel level	Released		
appr	Pei-Ming Zheng	2012/09/19	product family	METRAL		rev	V	
	title	METRAL SIGNAL HEADER			dwg no	73932		
www.fci.com	cat. no.	-	Product - Customer Drw			sheet 2 of 5		

2

3

4



Copyright FCI.



Copyright FCI.

METRAL P/N	ROW	CONTACT CODE MOD. 1					MOD. 2						MOD. 3					
		1	2	3	4	5	6	7	8	9	10	11	12	13	14	15	16	17
73932-X001	E	3	3	3	3	3	3	3	3	3	3	3	3	3	3	3	3	3
	D	3	3	3	3	3	3	3	3	3	3	3	3	3	3	3	3	3
-----	C	3	3	3	3	3	3	3	3	3	3	3	3	3	3	3	3	3
73932-X001LF	B	3	3	3	3	3	3	3	3	3	3	3	3	3	3	3	3	3
	A	3	3	3	3	3	3	3	3	3	3	3	3	3	3	3	3	3

METRAL P/N	ROW	CONTACT CODE MOD. 1					MOD. 2						MOD. 3					
		1	2	3	4	5	6	7	8	9	10	11	12	13	14	15	16	17
73932-X002	E	-	-	-	-	-	-	-	-	-	-	-	-	-	-	-	-	-
	D	2	2	2	2	2	2	2	2	2	2	2	2	2	2	2	2	2
-----	C	2	2	2	2	2	2	2	2	2	2	2	2	2	2	2	2	2
73932-X002LF	B	2	2	2	2	2	2	2	2	2	2	2	2	2	2	2	2	2
	A	2	2	2	2	2	2	2	2	2	2	2	2	2	2	2	2	2

METRAL P/N	ROW	CONTACT CODE MOD. 1					MOD. 2						MOD. 3						
		1	2	3	4	5	6	7	8	9	10	11	12	13	14	15	16	17	18
73932-X003	E	2	-	2	-	2	-	2	-	2	-	2	-	2	-	2	-	2	-
	D	-	-	-	-	-	-	-	-	-	-	-	-	-	-	-	-	-	-
-----	C	2	-	2	-	2	-	2	-	2	-	2	-	2	-	2	-	2	-
73932-X003LF	B	-	-	-	-	-	-	-	-	-	-	-	-	-	-	-	-	-	-
	A	2	-	2	-	2	-	2	-	2	-	2	-	2	-	2	-	2	-

METRAL P/N	ROW	CONTACT CODE MOD. 1					MOD. 2						MOD. 3					
		1	2	3	4	5	6	7	8	9	10	11	12	13	14	15	16	17
73932-X004	E	3	3	3	3	3	3	3	3	3	3	3	3	3	3	3	3	3
	D	3	3	3	3	3	3	3	3	3	3	3	3	3	3	3	3	3
-----	C	19	19	19	19	19	19	19	19	19	19	19	19	19	19	19	19	19
73932-X004LF	B	3	3	3	3	3	3	3	3	3	3	3	3	3	3	3	3	3
	A	3	3	3	3	3	3	3	3	3	3	3	3	3	3	3	3	3

METRAL P/N	ROW	CONTACT CODE MOD. 1					MOD. 2						MOD. 3					
		1	2	3	4	5	6	7	8	9	10	11	12	13	14	15	16	17
73932-X005	E	1	1	1	1	1	1	1	1	1	1	1	1	1	1	1	1	1
	D	1	1	1	1	1	1	1	1	1	1	1	1	1	1	1	1	1
-----	C	1	1	1	1	1	1	1	1	1	1	1	1	1	1	1	1	1
73932-X005LF	B	1	1	1	1	1	1	1	1	1	1	1	1	1	1	1	1	1
	A	1	1	1	1	1	1	1	1	1	1	1	1	1	1	1	1	1

METRAL P/N	ROW	CONTACT CODE MOD. 1					MOD. 2						MOD. 3					
		1	2	3	4	5	6	7	8	9	10	11	12	13	14	15	16	17
73932-X006	E	3	3	3	3	3	3	3	3	3	3	3	3	3	3	3	3	3
	D	1	3	3	3	3	3	3	3	3	3	3	3	3	3	3	3	3
-----	C	19	19	19	19	19	19	19	19	19	19	19	19	19	19	19	19	19
73932-X006LF	B	3	3	3	3	3	3	3	3	3	3	3	3	3	3	3	3	3
	A	3	3	3	3	3	3	3	3	3	3	3	3	3	3	3	3	3

METRAL P/N	ROW	CONTACT CODE MOD. 1					MOD. 2						MOD. 3					
		1	2	3	4	5	6	7	8	9	10	11	12	13	14	15	16	17
73932-X007	E	2	2	2	2	2	2	2	2	2	2	2	2	2	2	2	2	2
	D	2	2	2	2	2	2	2	2	2	2	2	2	2	2	2	2	2
-----	C	1	2	2	2	2	1	2	2	2	1	3	2	2	2	2	2	2
73932-X007LF	B	2	2	2	2	2	2	2	2	2	2	2	2	2	2	2	2	2
	A	2	2	2	2	2	2	2	2	2	2	2	2	2	2	2	2	2

METRAL P/N	ROW	CONTACT CODE MOD. 1					MOD. 2						MOD. 3					
		1	2	3	4	5	6	7	8	9	10	11	12	13	14	15	16	17
73932-X008	E	2	2	2	2	2	2	2	2	2	2	2	2	2	2	2	2	2
	D	2	2	2	2	2	2	2	2	2	2	2	2	2	2	2	2	2
-----	C	2	2	2	2	2	2	2	2	2	2	2	2	2	2	2	2	2
73932-X008LF	B	2	2	2	2	2	2	2	2	2	2	2	2	2	2	2	2	2
	A	2	2	2	2	2	2	2	2	2	2	2	2	2	2	2	2	2

dr	Terran Huang	2010/07/08	projection 	MM 	size	A4	scale	1:10
eng	Julia Wang	2012/09/19			ecn no	ELX-DG-012854-1		
chr	-	-			rel level	Released		
appr	Pei-Ming Zheng	2012/09/19	product family	METRAL	rev	V		
		title	METRAL SIGNAL HEADER		dwg no	73932		
www.fci.com		cat. no.	-	Product - Customer Drw	sheet	3 of 5		



Copyright FCI.

METRAL P/N	ROW	CONTACT CODE MOD. 1					MOD. 2						MOD. 3					
		1	2	3	4	5	6	7	8	9	10	11	12	13	14	15	16	17
73932-X009	E	2	2	2	2	2	2	2	2	2	2	2	2	2	2	2	2	2
	D	2	2	2	2	2	2	2	2	2	2	2	2	2	2	2	2	2
-----	C	1	2	2	2	2	1	2	2	2	1	2	2	2	2	2	2	2
73932-X009LF	B	2	2	2	2	2	2	2	2	2	2	2	2	2	2	2	2	2
	A	2	2	2	2	2	2	2	2	2	2	2	2	2	2	2	2	2

METRAL P/N	ROW	CONTACT CODE MOD. 1					MOD. 2						MOD. 3					
		1	2	3	4	5	6	7	8	9	10	11	12	13	14	15	16	17
73932-X010	E	2	2	2	2	2	2	2	2	2	2	2	2	2	2	2	2	2
	D	2	2	2	2	2	2	2	2	2	2	2	2	2	2	2	2	2
-----	C	1	2	2	2	2	1	2	2	2	1	2	2	2	2	2	2	2
73932-X010LF	B	2	2	2	2	2	2	2	2	2	2	2	2	-	-	2	-	-
	A	2	2	2	2	2	2	2	2	-	2	2	-	2	2	-	2	2

METRAL P/N	ROW	CONTACT CODE MOD. 1					MOD. 2						MOD. 3					
		1	2	3	4	5	6	7	8	9	10	11	12	13	14	15	16	17
73932-X011	E	2	2	2	2	2	2	-	2	2	-	2	2	2	2	2	2	2
	D	2	2	2	2	2	2	-	2	2	-	2	2	2	2	2	2	2
-----	C	1	2	2	2	2	1	2	2	2	1	2	2	2	2	2	2	2
73932-X011LF	B	2	2	2	2	2	2	2	2	2	-	2	2	-	2	2	2	2
	A	2	2	2	2	2	2	2	2	-	2	2	-	2	2	2	2	2

dr	Terran Huang	2010/07/08	projection 	MM 	size	A4	scale	1:10
eng	Julia Wang	2012/09/19			ecn no	ELX-DG-012854-1		
chr	-	-			rel level	Released		
appr	Pei-Ming Zheng	2012/09/19	product family	METRAL		rev	V	
		title	METRAL SIGNAL HEADER			dwg no	73932	
		cat. no.	-	Product - Customer Drw			sheet 4 of 5	

PRODUCT NUMBER

73932-XXXX

73932-XXXXLF

NOTES:

1. FOR DIM A AND B SEE SHEET 2 AND UP.

2. BODY MATERIAL: LIQUID CRYSTAL

POLYMER 30 % GLASS.

FLAME RETARDANT ACC. UL 94-V0.

3. PIN MATERIAL:  
PHOSPHOR BRONZE.

4. PLATING ON PRESS-FIT TAIL:  
73932-XXY IS SnPb  
73932-XXYLF IS SN (LEAD FREE)  
PLATING ON CONTACT AREA CONFORMS TO PERFORMANCE  
LEVEL SHOWN IN TABLE BELOW.

5. PRODUCT MARKING:  
PART NUMBER DESIGNATION & BATCH I.D.

6. ALL PRODUCTS WITH PART NUMBERS SHOWN IN  
SUBSEQUENT TABLES WILL BE PACKAGED IN TUBES.  
IF TRAY PACKAGING IS REQUIRED, A SUFFIX "P"  
WILL BE ADDED TO THE END OF THE PART NUMBER.  
EXAMPLE: XXXXX-XXXP

7. PRODUCT SPECIFICATION GS-12-180  
APPLICATION SPECIFICATION BUS-20-073

8. AFTER INSERTION INTO CIRCUIT BOARD WITH  
QUALIFIED TOOL.

9. THE PRODUCTS WHERE THE PART NUMBER ENDS IN LF MEET THE  
EUROPEAN UNION DIRECTIVES AND OTHER COUNTRY REGULATIONS  
AS DESCRIBED IN GS-22-008.

ALL PRODUCTS EXCEPT THOSE WITH PART NUMBERS CONTAINING  
(DRAWING NO.)-N1--- OR (DRAWING NO.)-N5---WILL WITHSTAND EXPOSURE  
TO 260°C FOR 60 SECONDS IN A CONVECTION, INFRA-RED OR  
VAPOR PHASE REFLOW OVEN. PART NUMBERS (DRAWING NO.)-N1---  
AND (DRAWINGS NO.)-N5---WILL NOT WITHSTAND REFLOW AND Au CONTACT  
SURFACE OF THE CONTACTS SHALL BE EXPOSED TO A MAXIMUM 140°C FOR  
NO LONGER THAN 15 SECONDS IN A WAVE SOLDER APPLICATION.

PLATING IN CONTACT AREA		NOTES
DASH NUMBER	PERFORMANCE LEVEL	
-N1YYY	TELCORDIA CO (NXT)	-
-N5YYY	TELCORDIA UE (NXT)	-
-1YYY	TELCORDIA CO	-
-2YYY	TELECOM CLASS	-
-3YYY	IEC CLASS I	-
-5YYY	TELCORDIA UE	-
-9YYY	TELCORDIA CO	-
-N1YYYYLF	TELCORDIA CO (NXT) IEC CLASS I	SEE NOTE 9
-N5YYYYLF	TELCORDIA UE (NXT)	SEE NOTE 9
-1YYYYLF	TELCORDIA CO IEC CLASS I	SEE NOTE 9
-2YYYYLF	TELECOM CLASS	SEE NOTE 9
-5YYYYLF	TELCORDIA UE	SEE NOTE 9

dr	Terran Huang	2010/07/08	projection 	MM 	size	A4	scale	1:1:10
eng	Julia Wang	2012/09/19			ecn no	ELX-DG-012854-1		
chr	-	-			rel level	Released		
appr	Pei-Ming Zheng	2012/09/19	product family	METRAL		rev	V	
		title	METRAL SIGNAL HEADER			dwg no	73932	
www.fci.com		cat. no.	-			Product - Customer Drw		sheet 5 of 5