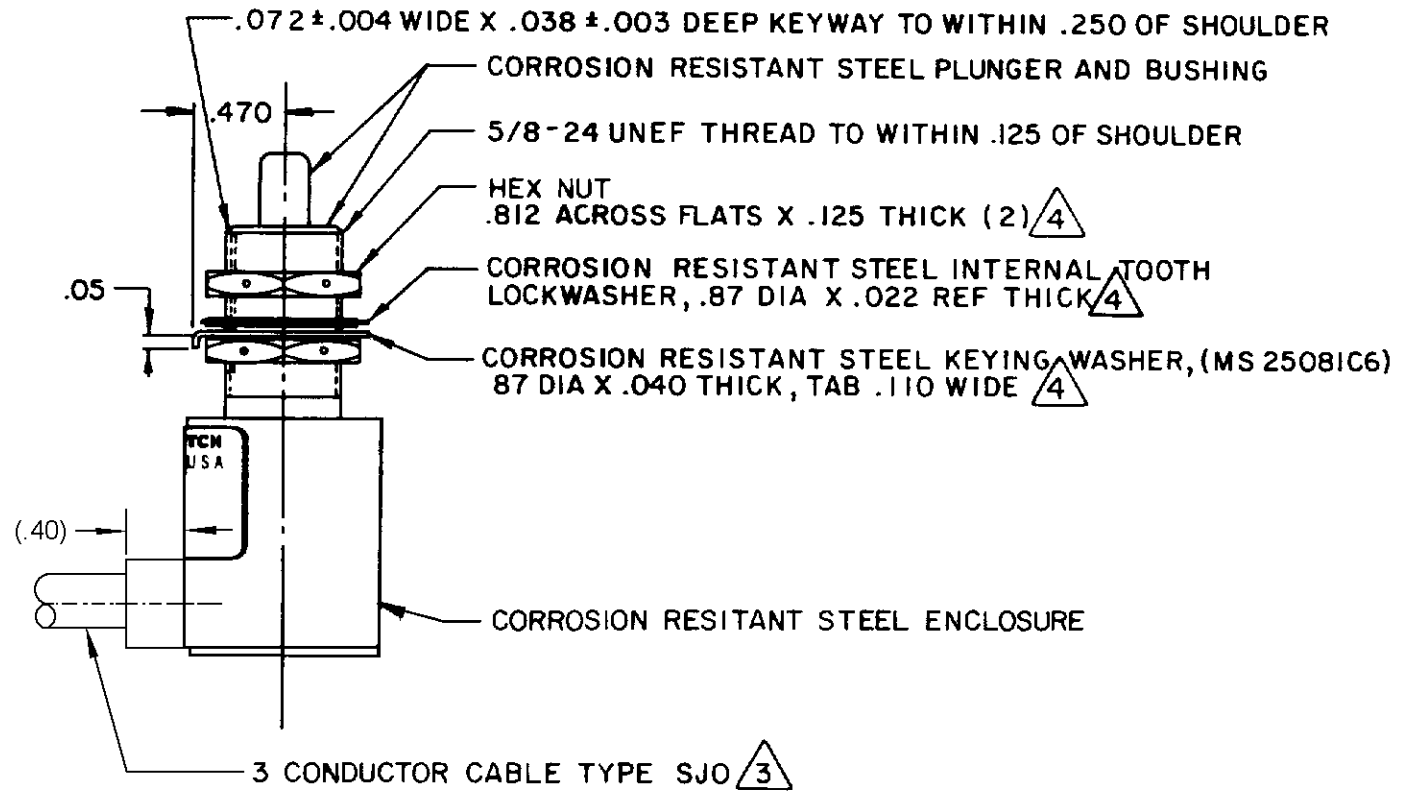
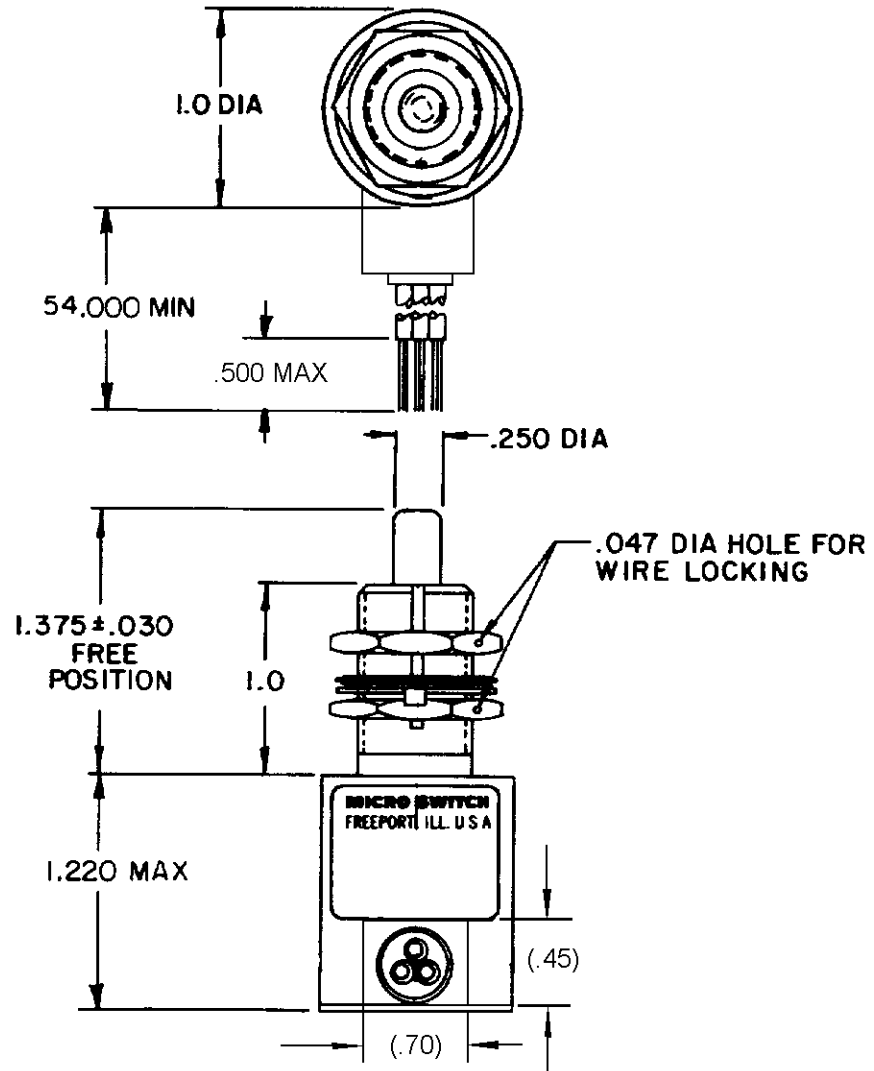
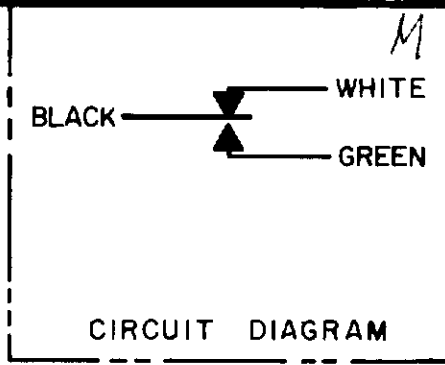


MICRO SWITCH
 FREEPORT ILLINOIS U S A
 A DIVISION OF HONEYWELL
 FED MFG CODE 81928

SWITCH - ENCLOSED

CATALOG LISTING
1CH111



RASTER
 FO-32851-B
 DRAWN
 J A S 30 SEPT 86
 CHECK KAG 3 OCT 86
 J A S 30 SEPT 86
 CHECK KAG 3 OCT 86
 KSR 27 OCT 05
 E 0016449
 18 MAY 94
 D 77804-B
 28 OCT 92
 L J F
 C 074101
 28 JAN 93
 L J F
 B 0073770
 15 APR 88
 Y S R
 A 0063259
 15 APR 88
 Y S R
 ISSUE X X X
 X X X
 X X X
 DRAWING NUMBER M 1CH111
 REPLACES 27OCT05 PR-15094

THIS DRAWING COVERS A PROPRIETARY ITEM AND IS THE PROPERTY OF MICRO SWITCH A DIVISION OF HONEYWELL THIS DRAWING IS NOT TO BE COPIED OR USED WITHOUT THE APPROVAL OF MICRO SWITCH		SCALE FULL																									
DO NOT SCALE PRINT		TOLERANCES																									
APPLY TO DESIGN UNITS. CONVERSIONS ARE ONLY FOR REFERENCE UNLESS NOTED TOLERANCES ARE ?		<table border="1"> <tr> <th>DIM</th> <th>TOL</th> <th>DIM</th> <th>TOL</th> </tr> <tr> <td>mm</td> <td>mm/in</td> <td>in</td> <td>mm/in</td> </tr> <tr> <td>NO PLACES</td> <td>± .04</td> <td>± .001</td> <td>± .001</td> </tr> <tr> <td>ONE PLACE</td> <td>± .016</td> <td>± .002</td> <td>± .002</td> </tr> <tr> <td>TWO PLACES</td> <td>± .008</td> <td>± .001</td> <td>± .001</td> </tr> <tr> <td>THREE PLACES</td> <td>± .004</td> <td>± .0005</td> <td>± .0005</td> </tr> </table>		DIM	TOL	DIM	TOL	mm	mm/in	in	mm/in	NO PLACES	± .04	± .001	± .001	ONE PLACE	± .016	± .002	± .002	TWO PLACES	± .008	± .001	± .001	THREE PLACES	± .004	± .0005	± .0005
DIM	TOL	DIM	TOL																								
mm	mm/in	in	mm/in																								
NO PLACES	± .04	± .001	± .001																								
ONE PLACE	± .016	± .002	± .002																								
TWO PLACES	± .008	± .001	± .001																								
THREE PLACES	± .004	± .0005	± .0005																								
DESIGN UNITS <input type="checkbox"/> METRIC <input checked="" type="checkbox"/> US CUSTOMARY		THIRD ANGLE PROJECTION																									
WEIGHT 8.6 OZ MAX																											
<table border="1"> <tr> <th>CHARACTERISTICS</th> <th>ELECTRICAL DATA</th> </tr> <tr> <td>OPERATING FORCE ----- 6-12 LB</td> <td>CONTACT ARRANGEMENT</td> </tr> <tr> <td>FULL OVERTRAVEL FORCE ----- 30 LB MAX</td> <td>S P D T</td> </tr> <tr> <td>RELEASE FORCE ----- 4 LB MIN</td> <td>LOAD</td> </tr> <tr> <td>PRETRAVEL ----- .040 MAX</td> <td>28 VDC</td> </tr> <tr> <td>DIFFERENTIAL TRAVEL ----- 0.20 MAX</td> <td>SEA LEVEL</td> </tr> <tr> <td>OVERTRAVEL ----- .250 MIN</td> <td>50,000 FT.</td> </tr> <tr> <td></td> <td>RES</td> </tr> <tr> <td></td> <td>IND</td> </tr> <tr> <td></td> <td>MOTOR</td> </tr> </table>		CHARACTERISTICS	ELECTRICAL DATA	OPERATING FORCE ----- 6-12 LB	CONTACT ARRANGEMENT	FULL OVERTRAVEL FORCE ----- 30 LB MAX	S P D T	RELEASE FORCE ----- 4 LB MIN	LOAD	PRETRAVEL ----- .040 MAX	28 VDC	DIFFERENTIAL TRAVEL ----- 0.20 MAX	SEA LEVEL	OVERTRAVEL ----- .250 MIN	50,000 FT.		RES		IND		MOTOR						
CHARACTERISTICS	ELECTRICAL DATA																										
OPERATING FORCE ----- 6-12 LB	CONTACT ARRANGEMENT																										
FULL OVERTRAVEL FORCE ----- 30 LB MAX	S P D T																										
RELEASE FORCE ----- 4 LB MIN	LOAD																										
PRETRAVEL ----- .040 MAX	28 VDC																										
DIFFERENTIAL TRAVEL ----- 0.20 MAX	SEA LEVEL																										
OVERTRAVEL ----- .250 MIN	50,000 FT.																										
	RES																										
	IND																										
	MOTOR																										

- NOTES
- SWITCH SEALED PER MIL-PRF-8805 SYMBOL 3
 - CIRCUIT DIAGRAM, CATALOG LISTING AND DATE CODE ARE SHOWN ON NAMEPLATE
- 3 WIRE LEADS COLOR CODED TO SHOW LEAD IDENTIFICATION
- 4 HARDWARE MAY BE PACKAGED UNASSEMBLED PER MIL-PRF-8805