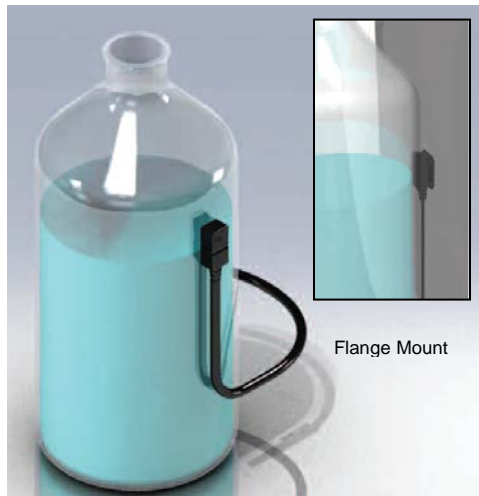


# SL-630 Series



- High/low liquid level monitor
- “Peel and stick” to the outside of a wide range of plastic containers
- Never comes in contact with liquid – no risk of contamination or volume displacement
- Proven ultrasonic technology
- Repeatability:  $\pm 0.1$ ” (2.54 mm)

## DESCRIPTION

The Non-Invasive Sonic Eye™ is a cost effective ultrasonic sensor for plastic containers. The sensor is designed to adhere to the outside of plastic containers of various sizes from 2” (50.8mm) to 10” (254mm) with a wall thickness up to 0.25” (6.35mm) as a high/low level liquid level monitor. The sensor sticks to the outside of the container, never coming in contact with the liquid, so there is no contamination or volume displacement.

## FEATURES

### Standard Features

- Non-invasive miniature sensor designed to stick to outside of container
- Integral electronics with disposable mounting
- Effective on plastic bottles with diameters ranging from 2” (50.8 mm) to 10” (254 mm)
- Independent of color, transparency, shape and size of bottom of container
- No displacement of liquid volume
- Eliminates fluid contamination problem
- No calibration required

### Optional Features

- 3.3 volt input power
- Relay output
- 1” diameter containers & glass/metal containers

## APPLICATIONS

- Chemical Analyzer
- Immuno Chemistry
- Chromatography
- Kidney Dialysis
- Clinical Chemistry
- Medical Laser System
- Hemodialysis
- Semiconductor
- Waste Management

## PERFORMANCE SPECIFICATIONS

Parameter	Typical Value	Parameter	Typical Value
Repeatability	± 0.1" (2.54 mm)	Protection	Transient, reverse polarity
Response Time	200 milliseconds (for special response times consult factory)	Effective Plastic Bottle Diameter	2" (50.8 mm) to 10" (254 mm)
Input Power	5 to 24 VDC	Wall Thickness	Up to 0.25" (6.35 mm)
Leakage Current	Less than 50 µA	Sensor Material	ULTEM® (plastic)
Output	TTL (high) – dry condition	Temperature	-20 to 158 °F (30 to 70 °C)
Mounting	Reusable sensor/disposable mounting tape	Cable Length	12" (305 mm) (for longer lengths consult factory)

## MECHANICAL DIMENSIONS in inches

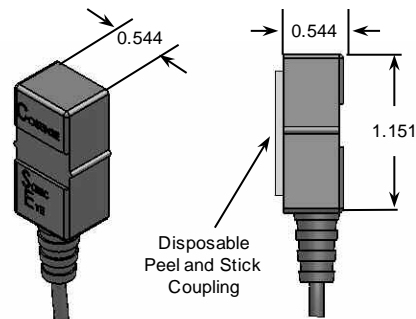


Figure 1: SL-630 series element with peel and stick disposable mounting tape.

NOTES: Clean area on container before installing. Remove backing from tape and adhere to container. Press sensor to container firmly.

## WIRING DIAGRAM

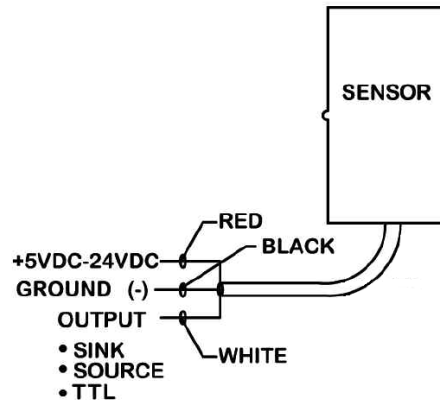


Figure 3: Wiring diagram for SL-630 series elements.

## ORDERING INFORMATION

# SL-630 Series

Input	Output	Part Number
5 VDC – 24 VDC	TTL*	SL630-C01

\*Custom outputs available. Consult factory for details.

---

## TECHNICAL CONTACT INFORMATION

---

### North America

Measurement Specialties, Inc.  
1000 Lucas Way  
Hampton, VA 23666  
Tel: 1-800-745-8008  
Fax: 1-757-766-4297  
Sales: [piezo@meas-spec.com](mailto:piezo@meas-spec.com)

### Europe

MEAS Deutschland GmbH  
Hauert 13  
44227 Dortmund  
Germany  
Sales & Customer Service: +49 (0)231 9740 21  
Technical Support: +44 (0)138 38700 01  
Email: [piezoeurope@meas-spec.com](mailto:piezoeurope@meas-spec.com)

### Asia

Measurement Specialties (China) Ltd.  
No. 26 Langshan Road,  
High-Tech Park (North)  
Nanshan District, Shenzhen 518057  
Tel: +86 755 3330 5068  
Email: [sales.china@meas-spec.com](mailto:sales.china@meas-spec.com)

The information in this sheet has been carefully reviewed and is believed to be accurate; however, no responsibility is assumed for inaccuracies. Furthermore, this information does not convey to the purchaser of such devices any license under the patent rights to the manufacturer. Measurement Specialties, Inc. reserves the right to make changes without further notice to any product herein. Measurement Specialties, Inc. makes no warranty, representation or guarantee regarding the suitability of its product for any particular purpose, nor does Measurement Specialties, Inc. assume any liability arising out of the application or use of any product or circuit and specifically disclaims any and all liability, including without limitation consequential or incidental damages. Typical parameters can and do vary in different applications. All operating parameters must be validated for each customer application by customer's technical experts. Measurement Specialties, Inc. does not convey any license under its patent rights nor the rights of others.