

SPECIFICATIONS

RESISTANCE RANGE _____ 100 TO 100K OHMS
 RESISTANCE TOLERANCE _____ ±5%
 ACCURACY _____ ±0.35% OF VOLTAGE RATIO
 REPEATABILITY _____ ±0.02% OR RESOLUTION OF POT
 RESOLUTION _____ SEE POT SPECIFICATIONS
 POWER RATING _____ 2 WATTS
 OPERATING TEMPERATURE _____ -30°C TO +85°C
 TEMPERATURE COEFFICIENT _____ ±20 PPM/°C
 TURNS _____ 10 (000 TO 999 COUNTS)
 TERMINALS _____ GOLD PLATED LUGS

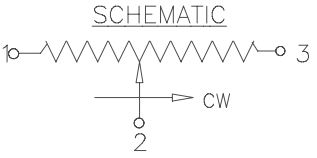
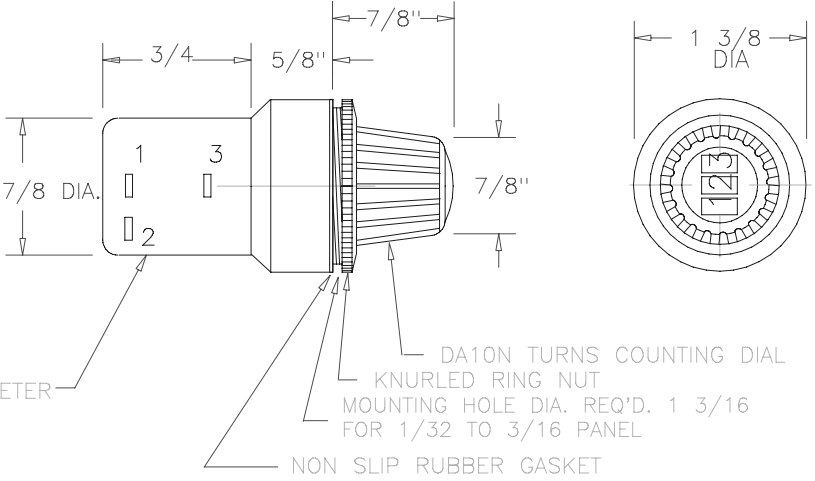
HOUSING MATERIAL _____ HIGH TEMP. BLACK PLASTIC

REV.	BY	DATE	PART NO.
A	BT	1-16-93	ADDED SPECIFICATIONS
B	AT	2-20-02	ADDED 1 TURN POTENTIOMETER

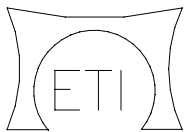
NOTES:

1. USE ETI SYSTEMS POTENTIOMETERS MODEL MW22B.
2. POTENTIOMETERS MAY BE 1,3,5,10 TURNS. ALSO MULTIPLE GANGS.
3. DIAL AVAILABLE WITHOUT POT, ASK FOR DA10N
4. THREADS WILL ACCEPT PANEL THICKNESS OF 3/16 MAX.
5. SEE POTENTIOMETER CATALOG FOR ADDITIONAL SPECIFICATIONS.

*MODEL WITH MW20B IS DW20.



MW22 POTENTIOMETER

SCALE NONE DATE: 5-8-87 BY	THIS DOCUMENT CONTAINS PROPRIETARY DATA OF POLARIS INDUSTRIAL ENTERPRISES, INC. NO DISCLOSURE, REPRODUCTION, OR USE OF ANY PART THERE OF MAY BE MADE EXCEPT BY WRITTEN PERMISSION.	 CARLSBAD CALIFORNIA
APPR'VD BT CODE IDENT: 19477	TITLE POT/DIAL COMBINATION	PART NO. DW22