

5

4

3

2

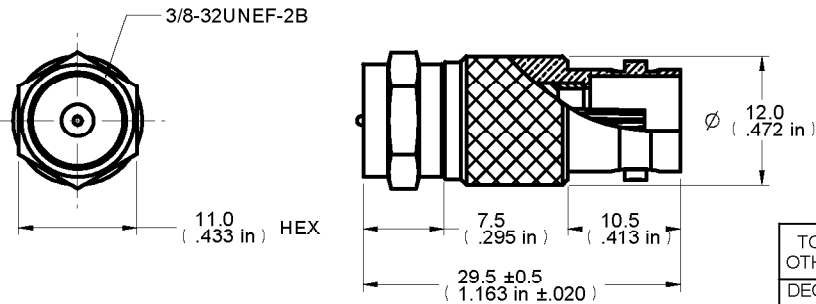
1

| | | | | | |
|-------------------------------------|------------------|--------|--------|--------|--|
| DRAWING NO. 28-81007-CUST | | | | | |
| REVISIONS | | | | | |
| 01 | OFFICIAL RELEASE | | | | |
| | 10-21-09 | Y U | Y U | T H | Betty 2009.12.11 10:29:32 +08'00' |



Description: 75 Ohm BNC Female to F Male
 Part No: 28-81007
 Application: Adapter
 Crimp Tool: N/A
 Impedance: 75 Ohm
 Frequency Range: 0-750 Mhz
 Material: Body Brass Nickel plated
 Contact Beryllium Gold plated
 Insulator Teflon
 Nut Brass Nickel plated
 RoHS Compliance: Yes
 Technical Detail: F End Refer to Emerson Document P/N 25-0000
 BNC End Refer to Emerson Document P/N 27-0000

| | | | | | |
|-------------------------------|----------|-----------|----|------------------|------------|
| 受控 CONTROLLED DOCUMENT | | | | | |
| 编号 P/N | 28-81007 | 版本 Rev | 01 | 日期 Rel'd Date | DEC 17, 09 |



DIM OUTLINE

CUSTOMER COPY

| | | | | |
|---|--------|-------------------------------|------------------|---|
| TOLERANCE UNLESS OTHERWISE SPECIFIED | | DRAWN BY BETTY.YU | DATE 10-21-09 | Connectivity Solutions |
| DECIMALS | mm | CHECKED BY BETTY.YU | DATE 10-21-09 | |
| X | ± 0.5 | APPROVED BY THOMAS | DATE 10-21-09 | TITLE 75 OHM BNC FEMALE TO F MALE |
| X.X | ± 0.3 | U/M | mm | |
| X.XX | ± 0.1 | | | |
| ANGLES | ± 0.5° | | | |
| THIS DRAWING WAS PRODUCED BY COMPUTER, DO NOT SCALE DRAWING OR UPDATE MANUALLY. | | | | SHEET 1 OF 1 |
| | | | | DRAWING NO. 28-81007-CUST |
| | | | | SIZE A |

5

4

3

2

1