

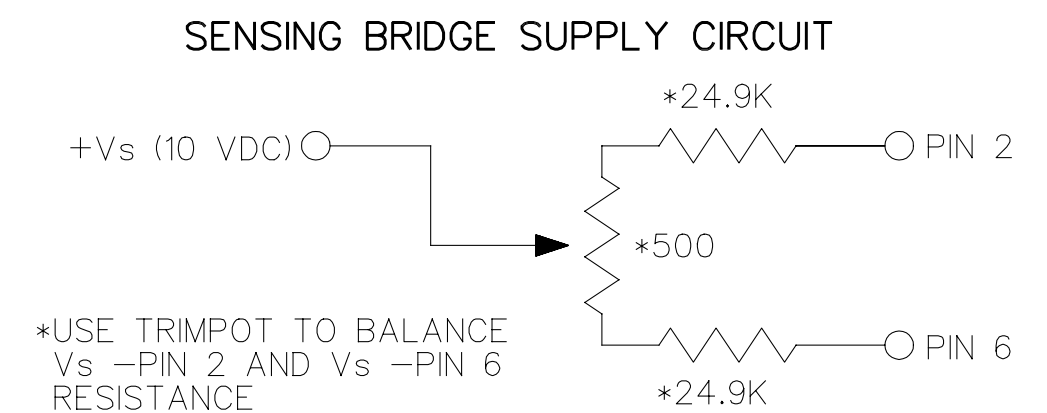
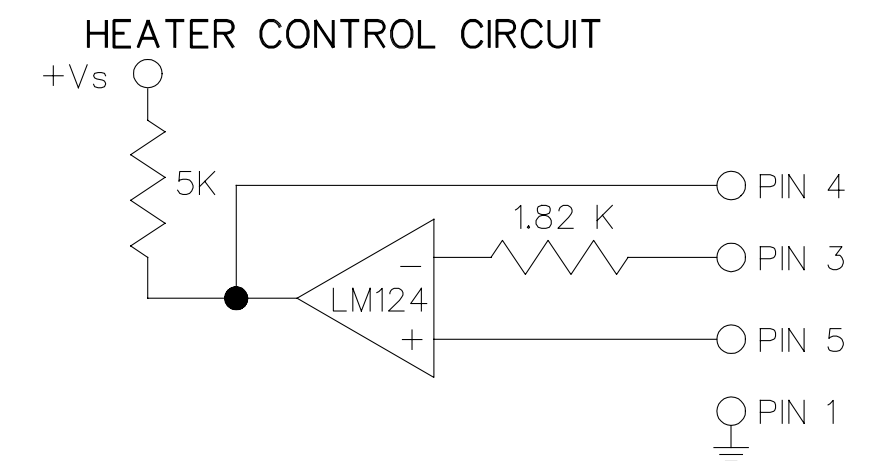
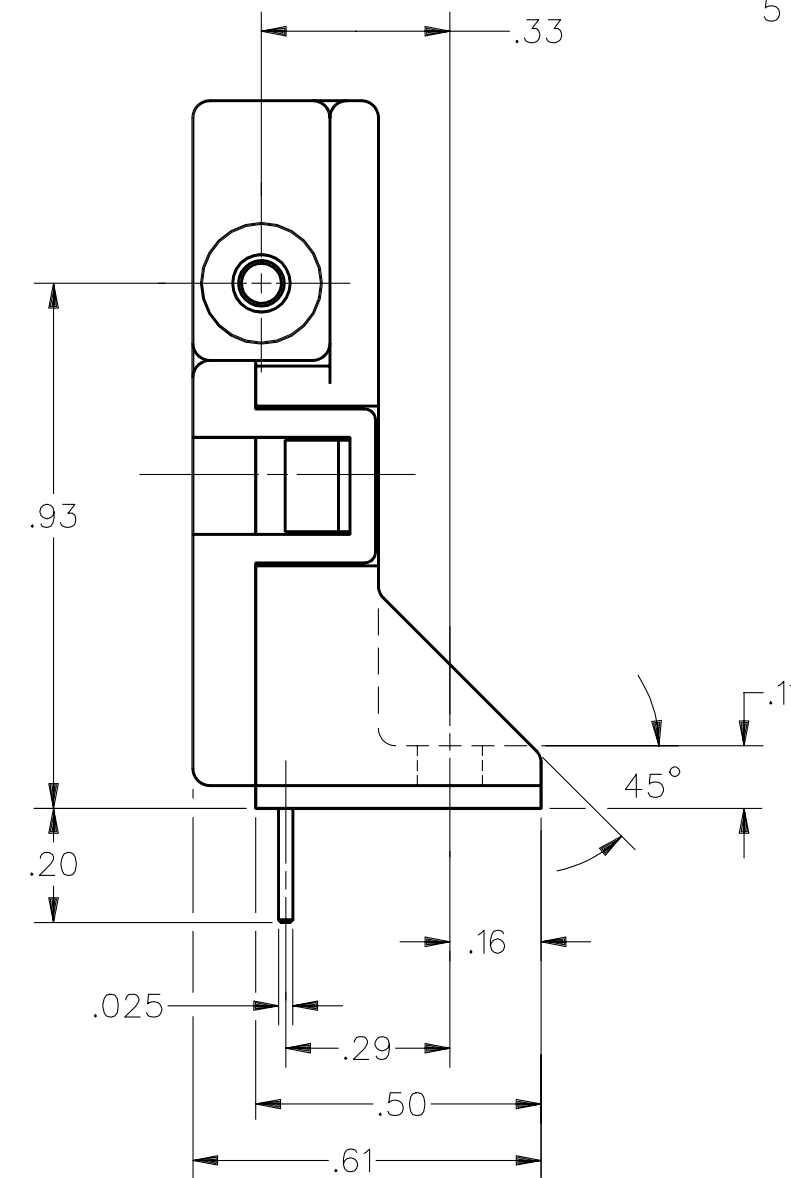
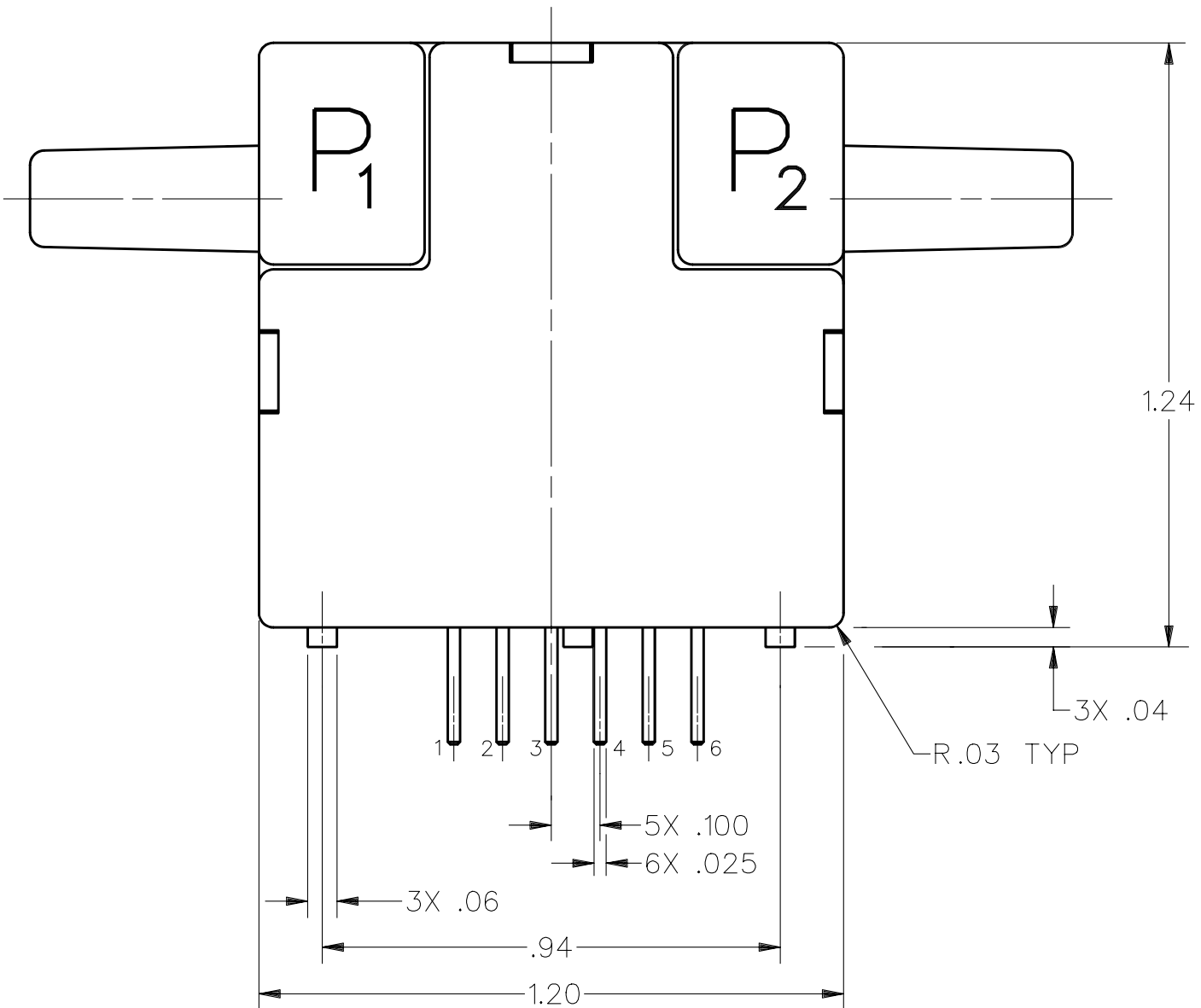
SPECIFICATIONS:	AWM2150V
RECOMMENDED EXCITATION (MAX VOLTAGE) /2	10.00±.01VDC (15.00 VDC MAX)
POWER CONSUMPTION	30mW
OUTPUT VOLTAGE TRIM POINT	11.8mV @ 25 sccm
NULL VOLTAGE SHIFT (-25°C TO +85°C)	±0.14mV MAX
OUTPUT VOLTAGE SHIFT (+25°C TO -25°C) /4	+5% READING MAX
(+25°C TO +85°C) /4	-5% READING MAX
REPEATABILITY & HYSTERESIS /3	±1% READING
RESPONSE TIME /1	3.0 msec MAX
OPERATING TEMPERATURE RANGE	-25°C TO +85°C
STORAGE TEMPERATURE RANGE	-40°C TO +90°C
TERMINATION (ON .100 CENTERS)	0.025 SQ. IN.
WEIGHT	10.8 GRAMS
SHOCK RATING	100G PEAK
OVERPRESSURE	25 psi MAX
SENSOR RESISTANCE	5 K-OHMS TYP
SENSOR CURRENT (PIN 2-PIN 1, PIN 6-PIN 1)	0.6 mA MAX

AWM2150V FLOW SPECIFICATIONS

FLOW (Sccm)	NOMINAL (mV)	TOL. (±mV)
50	20.5	2.5
25	11.8	1.5
15	7.4	1.4
5	2.5	1.0
0	0.0	0.7
5	-2.5	1.5
15	-7.4	2.5
25	-11.8	4
50	-20.5	7

- NOTES
- 1 RESPONSE TIME IS TYPICALLY 1 msec FROM 10%-90%
 - 2 OUTPUT VOLTAGE IS RATIO METRIC TO SUPPLY VOLTAGE
 - 3 REPEATABILITY & HYSTERESIS TOLERANCES REFLECT INHERENT INACCURACIES OF THE MEASUREMENT EQUIPMENT
 - 4 TEMPERATURE SHIFTS IN THE MASSFLOW DEVICES ARE DUE TO THE CHANGE OF THE SECOND ORDER TCR COEFFICIENT OVER TEMPERATURE
 - 5 - POSITIVE FLOW DIRECTION IS DEFINED AS PROCEEDING FROM P1 TO P2 AND RESULTS IN POSITIVE OUTPUT (PIN 6 > PIN 2). NEGATIVE FLOW DIRECTION IS DEFINED CONVERSELY AND RESULTS IN NEGATIVE OUTPUT (PIN 6 < PIN 2)

DRAWING NUMBER: AWM2150V
 ISSUE: 4
 PAGE: 1 OF 1
 RELEASE NO: PR-19274
 REPLACES: PR-19274
 REVISIONS:
 A: RELEASE APR-1974
 B: KDR 27 JUN 95
 C: CO-83279 9 SEP 96
 D: CO-83694 29 APR 97
 DDM/CAD
 DRAWN: KDR
 CHECK: TSM
 DATE: 27 JUN 95



MASTER REDUCED
ANSI Y14.5M-1982 APPLIES

THIS DRAWING COVERS A PROPRIETARY ITEM AND IS THE PROPERTY OF MICRO SWITCH, A DIVISION OF HONEYWELL. THIS DRAWING IS NOT TO BE COPIED OR USED WITHOUT THE APPROVAL OF MICRO SWITCH.		CATALOG LISTING AWM2150V
MICRO SWITCH a Honeywell Division	MASS AIRFLOW SENSOR	WEIGHT

THIRD ANGLE PROJECTION

SCALE 3 : 1

DO NOT SCALE PRINT

UNLESS OTHERWISE SPECIFIED TOLERANCES ARE

ONE PLACE	(.0)	±.030
TWO PLACES	(.00)	±.015
THREE PLACES	(.000)	±.005
ANGLES		±