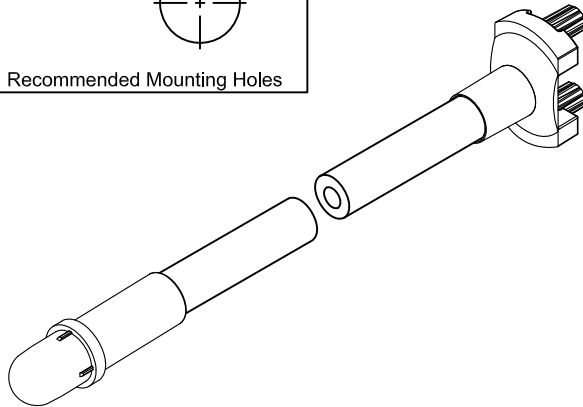
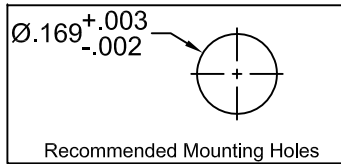
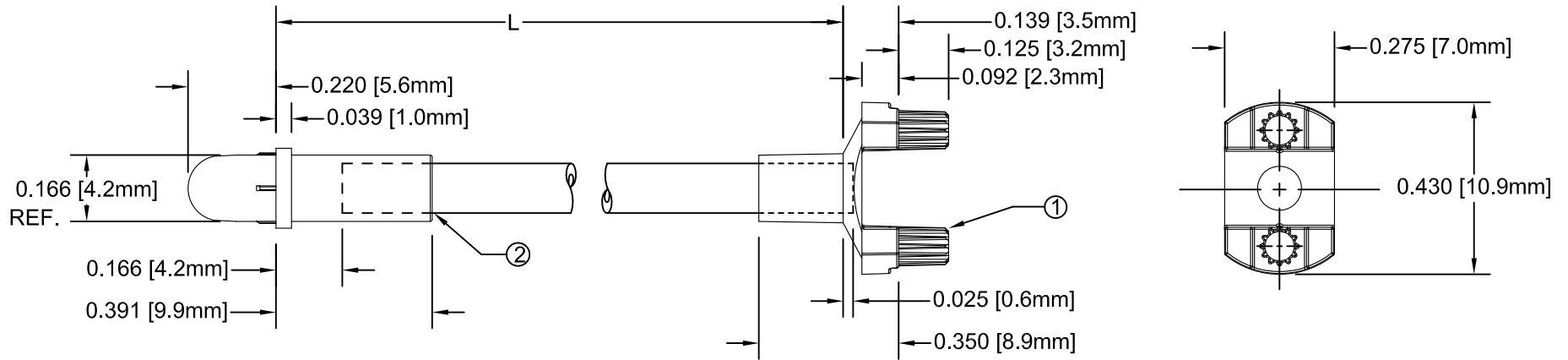


ITEM	Q'TY	PART NUMBER	PART DESCRIPTION
1	1	SMFLP2	Flexible Light Pipe 2mm Adapter, Surface Mount
2	1	FLPD-XX.X	Flexible Light Pipe Lens Cap Assembly, 2mm, Dome Face

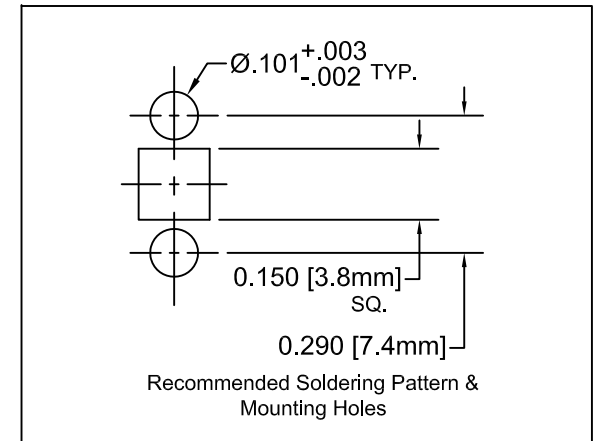
REV.	DESCRIPTION	DATE	APPROVED
A	Engineering Release	09/14/09	T. Y.
B	Updated Table For Length "L"	11/14/12	T. Y.

NOTE: SMFLP2 ADAPTER SHIPPED NON-ASSEMBLED



" L " *	Tolerance
1.0" ~ 16.0"	±0.050"
16.1" ~ 40.0"	±0.15"
40.1" ~ 80.0"	±0.30"
80.1" ~ 3,940.0"	±0.5%

* Available in 0.1" increments only



STANDARD TOLERANCE (UNLESS OTHERWISE SPECIFIED)		BIVAR [®] 4 THOMAS, IRVINE, CA. 92618 TEL: (949) 951-8808 FAX: (949) 951-3974	
DECIMALS	ANGULAR		
.X ±.1	X° ± 1°		TITLE: FLEXIBLE LIGHT PIPE ASSY, DOME FACE, SM ADAPTER
.XX ±.02			
.XXX ±.010			
DESIGNED: Brian Oliver	DATE: 09/14/09	PART NO: SMFLP2D-X.X	REVISION: B
CHECKED: Fred Jensen	DATE: 09/14/09	CAGE CODE : 32559	SHEET # 1 OF 1
CAD GENERATED DOCUMENT, DO NOT MEASURE DRAWING.			