

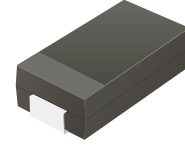
## ACDBB340-HF Thru. ACDBB3100-HF

Reverse Voltage: 40 to 100 Volts

Forward Current: 3.0 Amp

RoHS Device

Halogen free

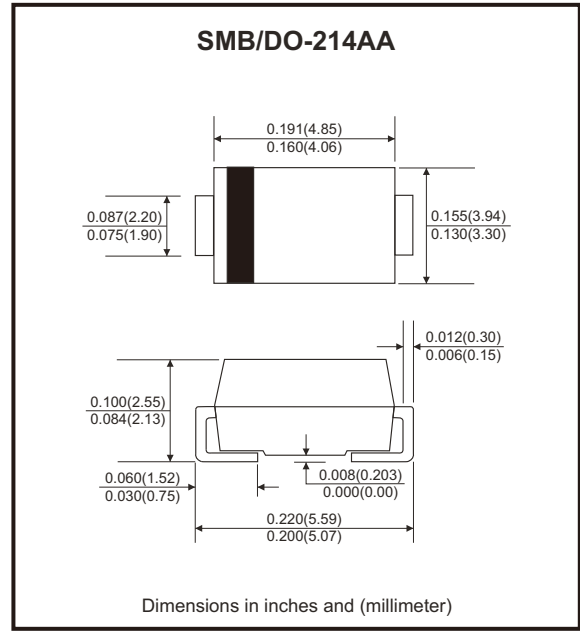


### Features

- High current capability.
- Ideal for automated placement.
- Low reverse current.
- Comply with AEC-Q101

### Mechanical data

- Case: DO-214AA / SMB, molded plastic.
- Epoxy: UL flammability classification rate 94V-0 .
- Terminals: Lead free plating (Tin finish).  
Solderable per MIL-STD-202, Method 208.
- Polarity: Color band denotes cathode end.



### Circuit Diagram



### Maximum Ratings (at TA=25°C unless otherwise noted)

Parameter	Symbol	ACDBB340-HF	ACDBB360-HF	ACDBB3100-HF	Unit
Max. Repetitive peak reverse voltage	V <sub>RRM</sub>	40	60	100	V
Max. RMS voltage	V <sub>RMS</sub>	28	42	70	V
Max. DC blocking voltage	V <sub>DC</sub>	40	60	100	V
Max. Average forward rectified current	I <sub>F</sub>	3			A
Peak forward surge current, 8.3ms single half sine-wave superimposed on rated load	I <sub>FSM</sub>	80			A
Max. Instantaneous forward voltage I <sub>F</sub> =3A @ 25°C	V <sub>F</sub>	0.50	0.70	0.85	V
Max. DC reverse current @T <sub>j</sub> =25°C at rated DC blocking voltage @T <sub>j</sub> =100°C	I <sub>R</sub>	0.5 10		0.2 5	mA
Typical junction capacitance (Note 1)	C <sub>j</sub>	150		100	pF
Typical thermal resistance (Note 2)	R <sub>θJC</sub>	35			°C/W
Operating temperature range	T <sub>J</sub>	-55 to +125		-55 to +150	°C
Storage temperature range	T <sub>STG</sub>	-55 to +150			°C

Note: 1. Measured at 1.0MHz and applied reverse voltage of 4.0V DC  
2. Device mounted on FR4 substrate, 0.4" x 0.5", 2oz, single-sided, PC boards with 0.2" x 0.25" copper pad.

Company reserves the right to improve product design , functions and reliability without notice.

REV: A

## Rating and Characteristic Curves (ACDBB340-HF Thru. ACDBB3100-HF)

Fig.1 - Typical Forward Current Derating Curve

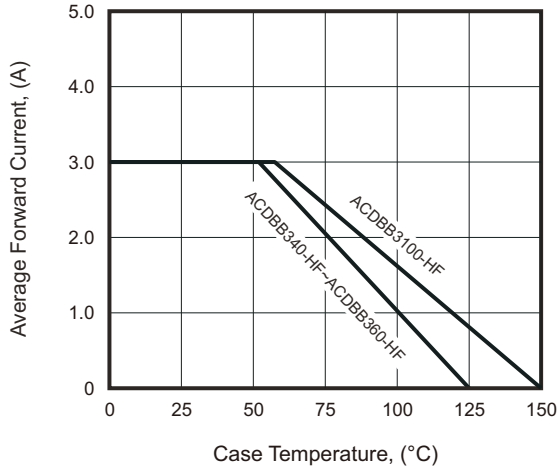


Fig.2 - Typical Forward Characteristics

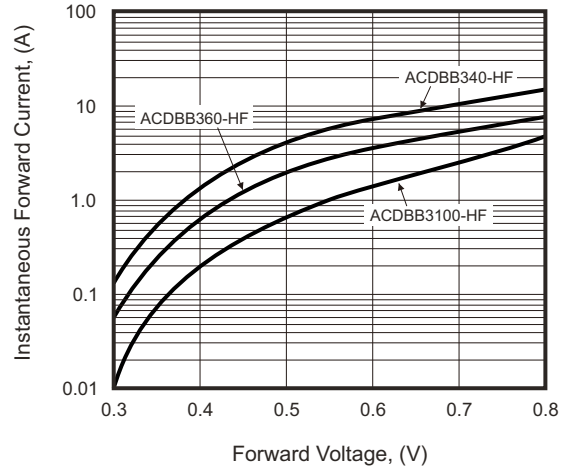


Fig.3 - Maximum Non-Repetitive Forward Surge Current

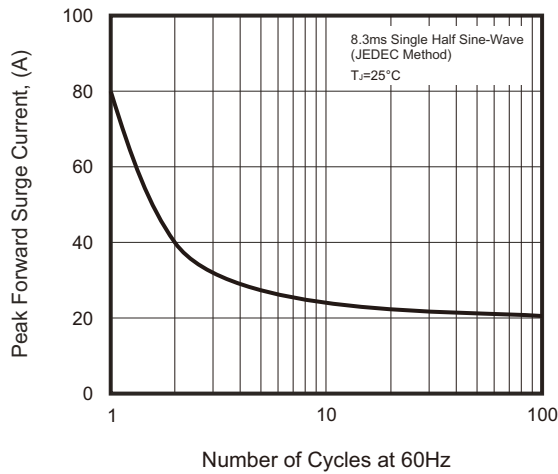


Fig.4 - Typical Reverse Characteristics

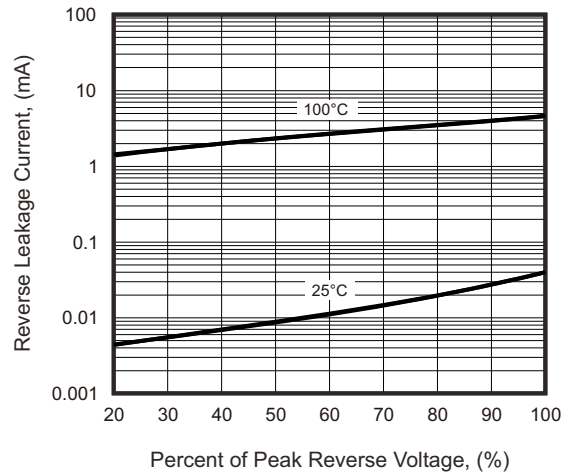
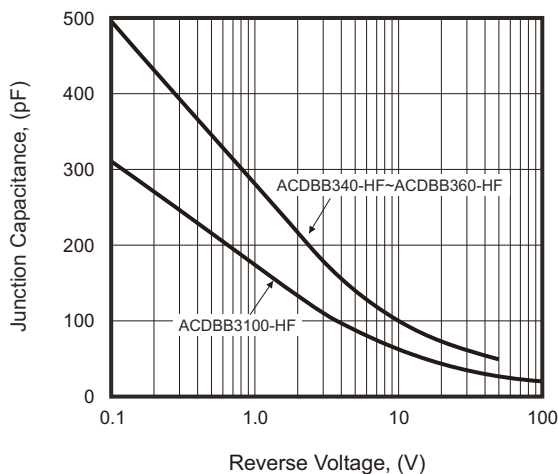


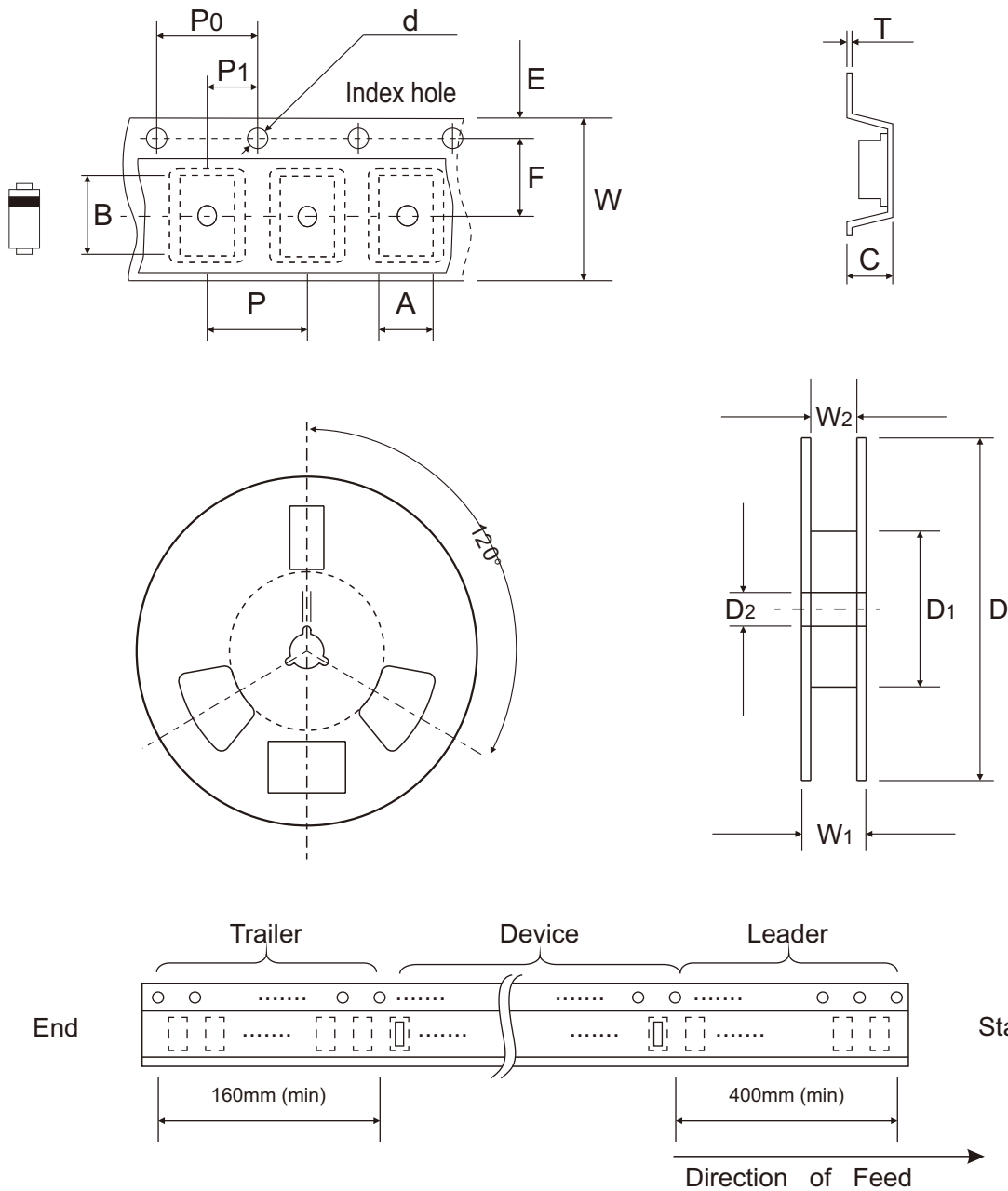
Fig.5 - Typical Junction Capacitance



Company reserves the right to improve product design, functions and reliability without notice.

REV: A

## Reel Taping Specification



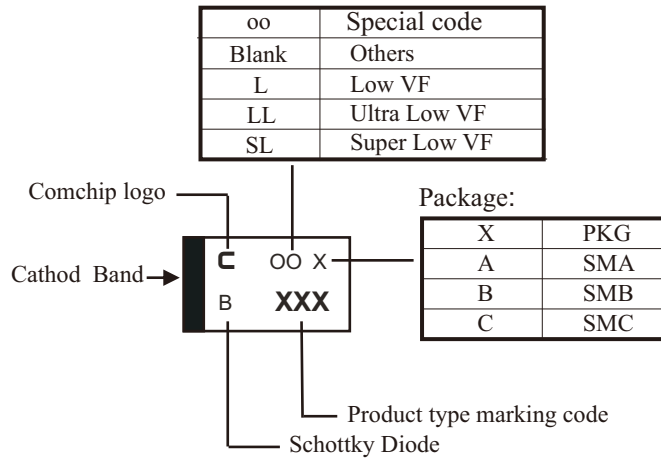
DO-214AA (SMB)	SYMBOL	A	B	C	d	D	D1	D2	E
	(mm)	4.00 Max.	5.90 Max.	3.00 Max.	1.50 ± 0.10	330.00 ± 2.00	50.00 Min.	13.50 ± 1.00	1.75 ± 0.10
	(inch)	0.157 Max.	0.232 Max.	0.118 Max.	0.059 ± 0.004	12.992 ± 0.079	1.969 Min.	0.531 ± 0.039	0.069 ± 0.004
DO-214AA (SMB)	SYMBOL	F	P	P0	P1	T	W	W1	W2
	(mm)	5.50 ± 0.05	8.00 ± 0.10	4.00 ± 0.10	2.00 ± 0.05	0.60 Max.	12.00 ± 0.30	18.40 Max.	14.40 Max.
	(inch)	0.217 ± 0.002	0.315 ± 0.004	0.157 ± 0.004	0.079 ± 0.002	0.024 Max.	0.472 ± 0.012	0.724 Max.	0.567 Max.

Company reserves the right to improve product design, functions and reliability without notice.

REV: A

## Marking Code

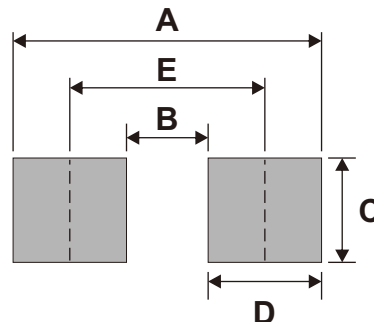
Part Number	Marking Code
ACDBB340-HF	340
ACDBB360-HF	360
ACDBB3100-HF	3100



**XXX/XXXX = Product type marking code**

## Suggested PAD Layout

SIZE	DO-214AA(SMB)	
	(mm)	(inch)
A	6.80	0.268
B	1.80	0.071
C	2.30	0.091
D	2.50	0.098
E	4.30	0.169



## Standard Packaging

Case Type	REEL PACK	
	REEL ( pcs )	Reel Size (inch)
DO-214AA (SMB)	3,000	13