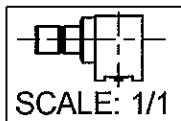
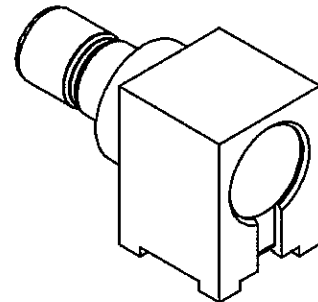
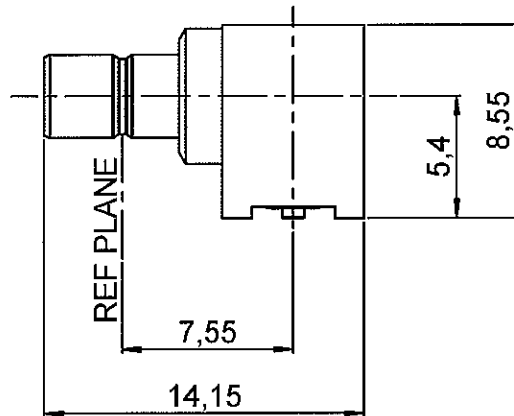
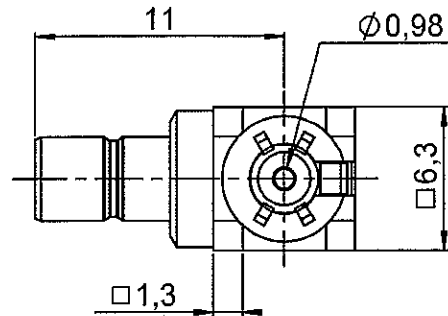


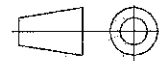
**RIGHT ANGLE RECEPTACLE
FOR PCB SMT TYPE REEL OF 500**

R114.664.120

Series : SMB



All dimensions are in mm.



COMPONENTS	MATERIALS	PLATINGS (µm)
BODY	BRASS	GOLD 0.2 OVER NICKEL 2
CENTER CONTACT	BRASS	GOLD 0.5 OVER NICKEL 2
OUTER CONTACT	-	-
INSULATOR	PTFE	-
GASKET	-	-
OTHERS PARTS	BRASS	GOLD 0.2 OVER NICKEL 2
-	-	-
-	-	-

Issue : 0551 A

In the effort to improve our products, we reserve the right to make changes judged to be necessary.



**RIGHT ANGLE RECEPTACLE
FOR PCB SMT TYPE REEL OF 500**

R114.664.120

Series : SMB

PACKAGING

Standard	Unit	Other
500		Contact us

SPECIFICATION

ELECTRICAL CHARACTERISTICS

Impedance		50 Ω
Frequency		0-4 GHz
VSWR	1.2 + 0,0000	x F(GHz) Maxi
Insertion loss		NA √F(GHz) dB Maxi
RF leakage	- (NA - F(GHz) dB Maxi
Voltage rating		335 Veff Maxi
Dielectric withstanding voltage		1000 Veff mini
Insulation resistance		1000 MΩ mini

ENVIRONMENTAL

Operating temperature	-65/+165 °C
Hermetic seal	NA Atm.cm3/s
Panel leakage	NA

OTHERS CHARACTERISTICS

Assembly instruction

Others :

MECHANICAL CHARACTERISTICS

Center contact retention		
Axial force – Mating end	10	N mini
Axial force – Opposite end	10	N mini
Torque	NA	N.cm mini
Recommended torque		
Mating	NA	N.cm
Panel nut	NA	N.cm
Mating life	500	Cycles mini
Weight	1,6600	g

Issue : 0551 A

In the effort to improve our products, we reserve the right to make changes judged to be necessary.



**RIGHT ANGLE RECEPTACLE
FOR PCB SMT TYPE REEL OF 500**

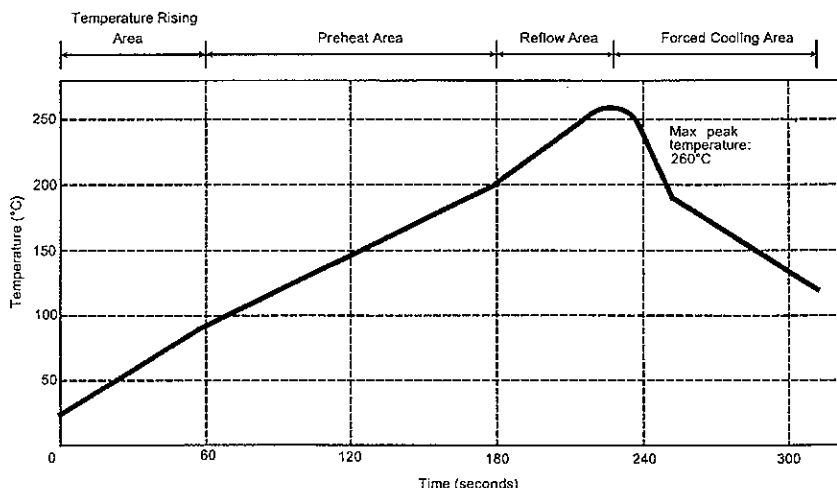
R114.664.120

Series : SMB

SOLDER PROCEDURE

1. Deposit solder paste 'Sn Ag4 Cu0.5' on mounting zone by screen printing application.
We advise a thickness of 200 micromm (7.800 microinch) .Verify that the edges of the zone are clean.
2. Deposit the receptacle on the mounting zone with an automatic machine of 'pick and place' type. Video camera is preferred for positioning of the component . Adhesive agents are forbidden on the receptacle.
3. Soldering by infra-red reflow.
We give under, the typical profile to use.
4. Cleaning of printed circuit boards by CFC solvents (or a substitute product according to the United Nation's environmental program) .
We advise the vapor-phase method, with or without any ultrasonic waves. This cleaning is imperative for using the receptacle.
5. Verification of solder joints and position of the component by visual inspection.

TEMPERATURE PROFILE



Parameter	Value	Unit
Temperature rising Area	1 - 4	°C/sec
Max Peak Temperature	260	°C
Max dwell time @260°C	10	sec
Min dwell time @235°C	20	sec
Max dwell time @235°C	60	sec
Temperature drop in cooling Area	-1 to - 4	°C/sec
Max dwell time above 100°C	420	sec

Issue : 0551 A

In the effort to improve our products, we reserve the right to make changes judged to be necessary.



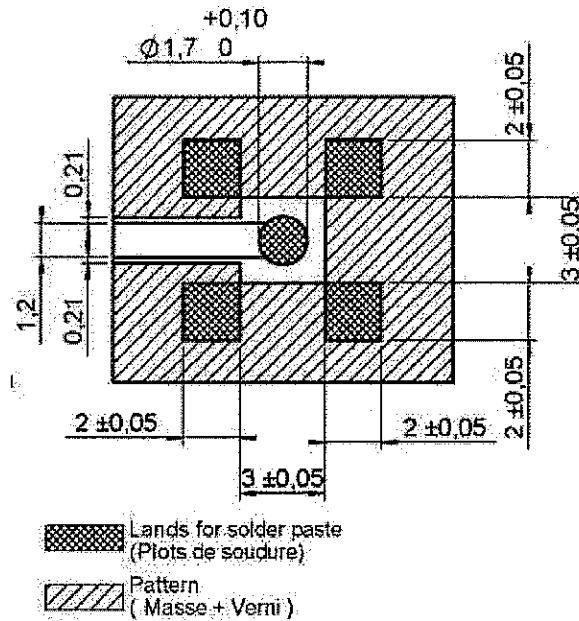
RADIALL®

**RIGHT ANGLE RECEPTACLE
FOR PCB SMT TYPE REEL OF 500**

R114.664.120

Series : SMB

SMB SERIES INFORMATIONS



COPLANAR LINE :

Pattern and signal are on the same side .

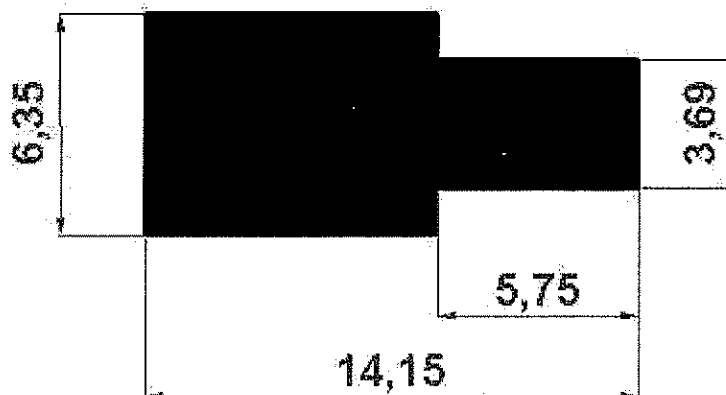
Thickness of PCB : .063(1.6mm)

The material of PCB is the epoxy resin of glass fabrics bacs .

(Er = 4.8) .

The solder resist should be printed except for the land pattern on the PCB .

SHADOW OF SMB RECEPTACLE FOR VIDEO CAMERA



Issue : 0551 A

In the effort to improve our products, we reserve the right to make changes judged to be necessary.

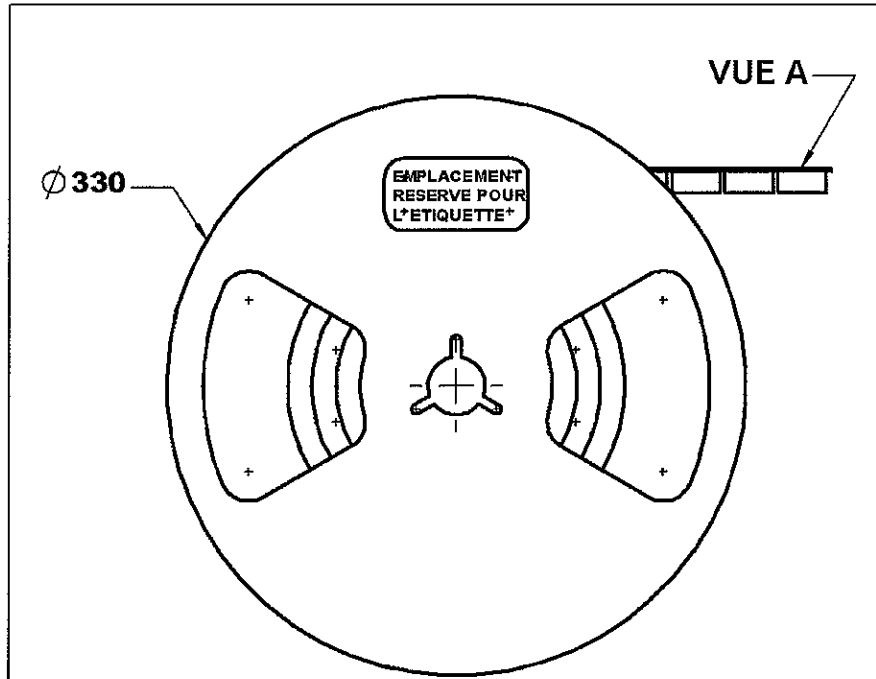


RIGHT ANGLE RECEPTACLE
FOR PCB SMT TYPE REEL OF 500

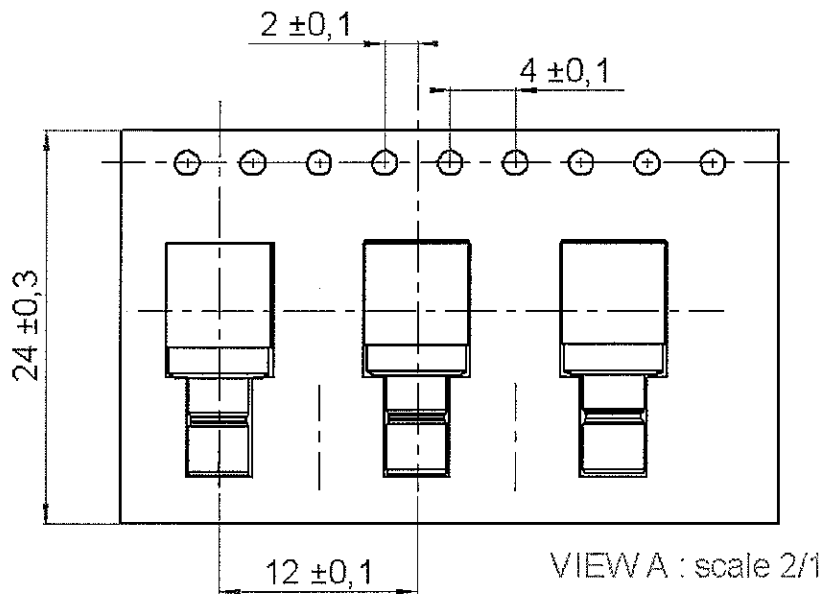
R114.664.120

Series : SMB

PACKAGING



bobine Ech :0.7



VUE A : scale 2/1

Issue : 0551 A

In the effort to improve our products, we reserve the right to make changes judged to be necessary.

