

SIZE	GENERAL PURPOSE		
	PLAIN	POWDER COATED	NYLON COATED
C	459-0030	461-0030	462-0030
SEALED			
C	460-0030	453-0030	454-0030

Tel No. +44(0)1724273200 Website www.dem-uk.com



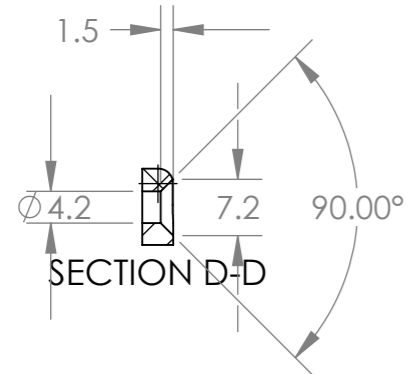
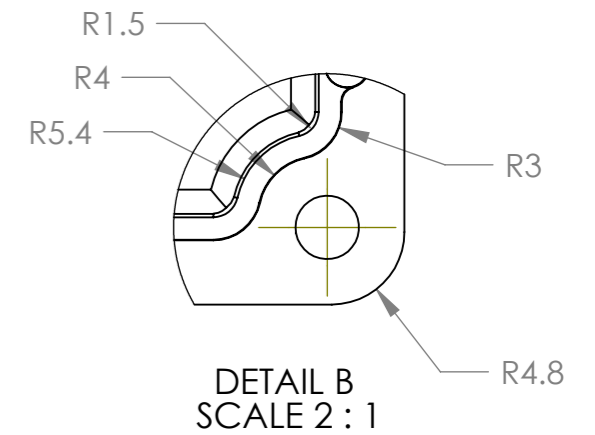
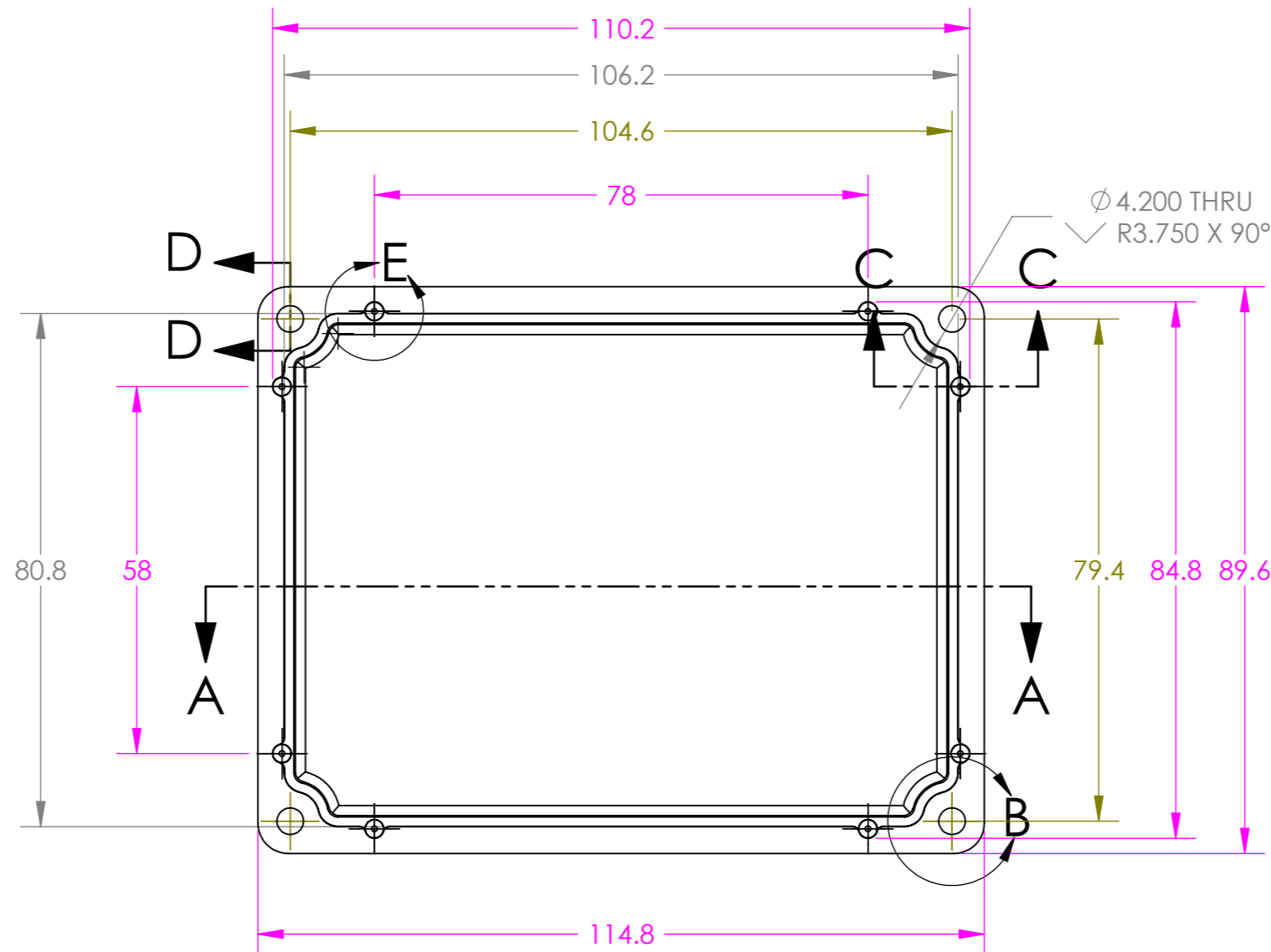
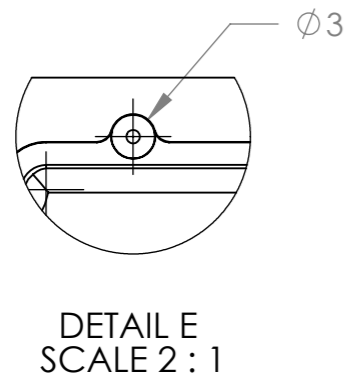
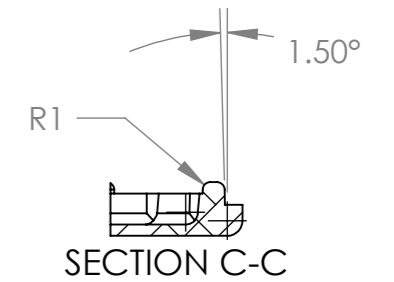
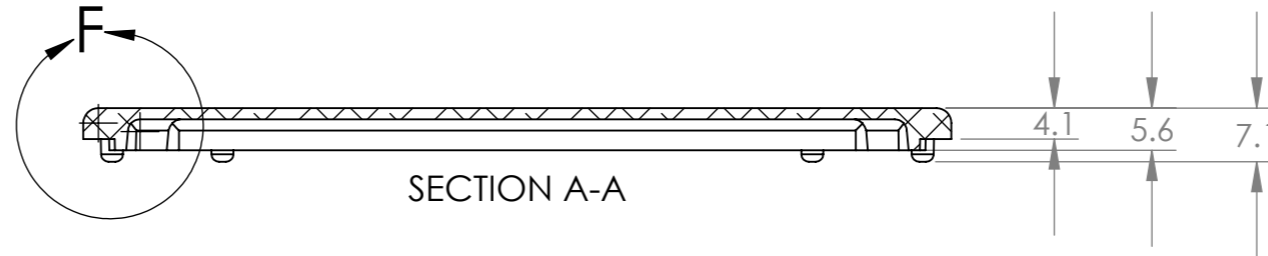
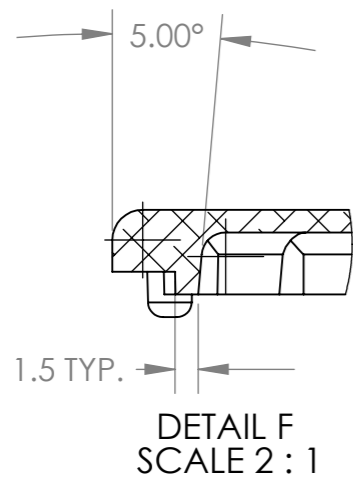
PROPRIETARY AND CONFIDENTIAL
THE INFORMATION CONTAINED IN THIS DRAWING IS THE SOLE PROPERTY OF ALPHA 3 MANUFACTURING.
ANY REPRODUCTION IN PART OR AS A WHOLE WITHOUT THE WRITTEN PERMISSION OF ALPHA 3 MANUFACTURING IS PROHIBITED.

DEM Manufacturing, Deltron Emcon House
Hargreaves Way, Sawcliffe Ind. Park,
Scunthorpe, North Lincolnshire, DN15 8RF, UK

UNLESS OTHERWISE SPECIFIED:
DIMENSIONS ARE IN MILLIMETRES
LINEAR TOLERANCE:
NO DECIMAL PLACES ±0.5mm
1 DECIMAL PLACE ±0.25mm
2 DECIMAL PLACES ±0.125mm
ANGULAR TOLERANCE: ±1°

FINISH
DEBURR AND BREAK SHARP EDGES
DRAWN BY B.SILLENCÉ
APPROVED BY WC
THIRD ANGLE PROJECTION
IF IN DOUBT ASK DO NOT SCALE DRAWING
MATERIAL DieCast Aluminium Alloy

TITLE **PROCUREMENT SPECIFICATION FOR 'C' SIZE DIECAST BOX**
DRAWING NO. **C BOX**
SHEET 1 OF 1
SCALE 1:1.5
A3
ISSUE **01**
Release



Tel No. +44(0)1724273200 Website www.dem-uk.com



PROPRIETARY AND CONFIDENTIAL
THE INFORMATION CONTAINED IN THIS DRAWING IS THE SOLE PROPERTY OF ALPHA 3 MANUFACTURING.
ANY REPRODUCTION IN PART OR AS A WHOLE WITHOUT THE WRITTEN PERMISSION OF ALPHA 3 MANUFACTURING IS PROHIBITED.

DEM Manufacturing, Deltron Emcon House
Hargreaves Way, Sawcliffe Ind. Park,
Scunthorpe, North Lincolnshire, DN15 8RF, UK

UNLESS OTHERWISE SPECIFIED:
DIMENSIONS ARE IN MILLIMETRES
LINEAR TOLERANCE:
NO DECIMAL PLACES ±0.5mm
1 DECIMAL PLACE ±0.25mm
2 DECIMAL PLACES ±0.125mm
ANGULAR TOLERANCE: ±1°

FINISH	·	DEBURR AND BREAK SHARP EDGES
MATERIAL	DieCast Aluminium Alloy	
IF IN DOUBT ASK DO NOT SCALE DRAWING		

DRAWN BY	B.SILLENCE
APPROVED BY	B.SILLENCE
THIRD ANGLE PROJECTION	

SHEET 1 OF 1
SCALE 1:1
A3

TITLE		PROCUREMENT SPECIFICATION FOR 'C' SIZE BOX LID	
DRAWING NO.	C LID	ISSUE	07
		Release	