



# **IS34MW01G084/164**

# **IS35MW01G084/164**

**1Gb SLC-4b ECC**  
**1.8V X8/X16 NAND FLASH MEMORY STANDARD NAND**  
**INTERFACE**

## 1Gb (x8/x16) 1.8V NAND FLASH MEMORY with 4b ECC

### FEATURES

- **Flexible & Efficient Memory Architecture**
  - Memory Cell: 1bit/Memory Cell
  - Organization: 128Mb x8 /64Mb x16
  - X8:
    - Memory Cell Array: (128M + 4M) x 8bit
    - Data Register: (2K + 64) x 8bit
    - Page Size: (2K + 64) Byte
    - Block Erase: (128K + 4K) Byte
  - X16:
    - Memory Cell Array: (64M + 2M) x 16bit
    - Data Register: (1K + 32) x 16bit
    - Page Size: (1K + 32) Word
    - Block Erase: (64K + 2K) Word
- **Highest performance**
  - Read Performance:
    - Random Read: 25us (Max.)
    - Serial Access: 45ns (Max.)
  - Write Performance:
    - Program time: 300us - typical
    - Block Erase time: 3ms – typical
- **Low Power with Wide Temp. Ranges**
  - Single 1.8V (1.7V to 1.95V) Voltage Supply
  - 15 mA Active Read Current
  - 10  $\mu$ A Standby Current
  - Temp Grades:
    - Industrial: -40°C to +85°C
    - Extended: -40°C to +105°C
    - Automotive, A1: -40°C to +85°C
    - Automotive, A2: -40°C to +105°C
- **Reliable CMOS Floating Gate Technology**
  - ECC Requirement: X8 - 4bit/512Byte  
X16 - 4bit/256Word
  - Endurance: 100K Program/Erase cycles
  - Data Retention: 10 years
- **Efficient Read and Program modes**
  - Command/Address/Data Multiplexed I/O Interface
  - Command Register Operation
  - Automatic Page 0 Read at Power-Up Option;
    - Boot from NAND support
    - Automatic Memory Download
  - NOP: 4 cycles
  - Cache Program/Read Operation
  - Copy-Back Operation
  - EDO mode
  - OTP operation
  - Bad-Block-Protect
- **Advanced Security Protection**
  - Hardware Data Protection:
    - Program/Erase Lockout during Power Transitions
- **Industry Standard Pin-out & Packages**
  - T =48-pin TSOP 1 (Call Factory)
  - B =63-ball VFBGA

## **GENERAL DESCRIPTION**

The IS34/35MW1G084/164 are 128Mx8/64Mx16 bit with spare 4Mx8/2Mx16 bit capacity. The devices are offered in 1.8V Vcc Power Supply. Its NAND cell provides the most cost-effective solution for the solid state mass storage market. The memory is divided into blocks that can be erased independently so it is possible to preserve valid data while old data is erased.

The device contains 1,024 blocks, composed by 64 pages consisting in two NAND structures of 32 series connected Flash cells. A program operation allows to write the 2,112-Byte page in typical 300us and an erase operation can be performed in typical 3ms on a 128K-Byte for X8 device block (or 64K-Word for x16 device block).

Data in the page mode can be read out at 45ns cycle time per Word. The I/O pins serve as the ports for address and command inputs as well as data input/output.

The copy back function allows the optimization of defective blocks management: when a page program operation fails, the data can be directly programmed in another page inside the same array section without the time consuming serial data insertion phase.

The cache program feature allows the data insertion in the cache register while the data register is copied into the Flash array.

This pipelined program operation improves the program throughput when long files are written inside the memory. A cache read feature is also implemented. This feature allows to dramatically improving the read throughput when consecutive pages have to be streamed out. This device includes extra feature: Automatic Read at Power Up.

**TABLE OF CONTENTS**

FEATURES .....	2
GENERAL DESCRIPTION .....	3
TABLE OF CONTENTS .....	4
1. PIN CONFIGURATION.....	6
2. PIN DESCRIPTIONS.....	9
3. BLOCK DIAGRAM.....	10
4. OPERATION DESCRIPTION .....	14
5. ELECTRICAL CHARACTERISTICS.....	16
5.1 ABSOLUTE MAXIMUM RATINGS <sup>(1)</sup> .....	16
5.2 Recommended Operating Conditions .....	16
5.3 DC CHARACTERISTICS .....	17
5.4 Valid Block .....	17
5.5 AC Measurement Condition.....	18
5.6 AC PIN CAPACITANCE (TA = 25°C, VCC=1.8V, 1MHz) .....	18
5.7 Mode Selection .....	18
5.8 PROGRAM/ERASE PERFORMANCE.....	19
5.9 AC CHARACTERISTICS for address/ command/data input.....	19
5.10 AC CHARACTERISTICS for Operation.....	20
6. TIMING DIAGRAMS .....	21
6.1 Command Latch Cycle .....	21
6.2 Address Latch Cycle.....	21
6.3 Input Data Latch Cycle .....	22
6.4 Serial Access Cycle after Read (CLE=L, WE#=H, ALE=L) .....	22
6.5 Serial Access Cycle after Read (EDO Type CLE=L, WE#=H, ALE=L) .....	23
6.6 Status Read Cycle .....	23
6.7 Read Operation (One PAGE) .....	24
6.8 Read Operation (Intercepted by CE#) .....	24
6.9 Random Data Output In a Page .....	25
6.10 Page program Operation .....	25
6.11 Page Program Operation with Random Data Input.....	26
6.12 Copy-Back Operation with Random Data Input .....	27
6.13 Cache Program Operation.....	28
6.14 Block Erase Operation.....	28
6.15 Cache Read Operation .....	29
7. ID Definition Table .....	30
8. DEVICE OPERATION .....	32
8.1 Page READ OPERATION .....	32
8.2 Page Program.....	34

8.3	Cache Program.....	35
8.4	Copy-Back Program.....	36
8.5	Block Erase.....	37
8.6	Read Status.....	37
8.7	Read ID.....	39
8.8	Reset.....	40
8.9	Cache Read.....	41
8.10	Ready/Busy#.....	42
8.11	Data Protection and Power Up Sequence.....	43
8.12	Write Protect Operation.....	44
8.13	Read Parameter Page Operation.....	46
8.14	Read Unique ID Operation.....	50
8.15	One-Time Programmable (OTP) Operations.....	51
9.	INVALID BLOCK AND ERROR MANAGEMENT.....	53
9.1	Mask Out Initial Invalid Block(s).....	53
9.2	Identifying Initial Invalid Block(s) and Block Replacement Management.....	53
9.3	ERRor in Read or Write operation.....	55
9.4	Addressing for PROGRAM operation.....	60
9.5	System Interface Using CE# NOT Care operation.....	61
10.	PACKAGE TYPE INFORMATION.....	62
10.1	48-Pin TSOP (TYPE I) Package (T).....	62
10.2	63-BALL VFBGA Package (B).....	63
11.	ORDERING INFORMATION – Valid Part Numbers.....	64

## 1. PIN CONFIGURATION

### 48-pin TSOP (Type I)



**Note:**

1. These pins might not be bonded in the package; however it is recommended to connect these pins to the designated external sources for ONFI compatibility.

**63-ball VFBGA (x8)**
**Balls Down, Top View**

**Note:**

1. These pins might not be bonded in the package; however it is recommended to connect these pins to the designated external sources for ONFI compatibility.

**63-ball VFBGA (x16)**
**Balls Down, Top View**




## 2. PIN DESCRIPTIONS

Pin Name	Pin Function
I/O0 ~ I/O7 (X8) I/O0 ~ I/O15 (X16)	<b>DATA INPUTS/OUTPUTS</b> The I/O pins are used to input command, address and data, and to output data during read operations. The I/O pins float to high-z when the chip is deselected or when the outputs are disabled.
CLE	<b>COMMAND LATCH ENABLE</b> The CLE input controls the activating path for commands sent to the internal command registers. Commands are latched into the command register through the I/O ports on the rising edge of the WE# signal with CLE high.
ALE	<b>ADDRESS LATCH ENABLE</b> The ALE input controls the activating path for addresses sent to the internal address registers. Addresses are latched into the address register through the I/O ports on the rising edge of WE# with ALE high.
CE#	<b>CHIP ENABLE</b> The CE# input is the device selection control. When the device is in the Busy state, CE# high is ignored, and the device does not return to standby mode in program or erase operation. Regarding CE# control during read operation, refer to 'Page read' section of Device operation.
RE#	<b>READ ENABLE</b> The RE# input is the serial data-out control, and when it is active low, it drives the data onto the I/O bus. Data is valid t <sub>REA</sub> after the falling edge of RE# which also increments the internal column address counter by one.
WE#	<b>WRITE ENABLE</b> The WE# input controls writes to the I/O ports. Commands, address and data are latched on the rising edge of the WE# pulse.
WP#	<b>WRITE PROTECT</b> The WP# pin provides inadvertent write/erase protection during power transitions. The internal high voltage generator is reset when the WP# pin is active low.
R/B#	<b>READY/BUSY OUTPUT</b> The R/B# output indicates the status of the device operation. When low, it indicates that a program, erase or random read operation is in progress and returns to high state upon completion. It is an open drain output and does not float to high-z condition when the chip is deselected or when outputs are disabled.
VCC	<b>POWER</b> VCC is the power supply for device.
VSS	<b>GROUND</b>
N.C.	<b>NO CONNECTION</b> Lead is not internally connected.

### 3. BLOCK DIAGRAM

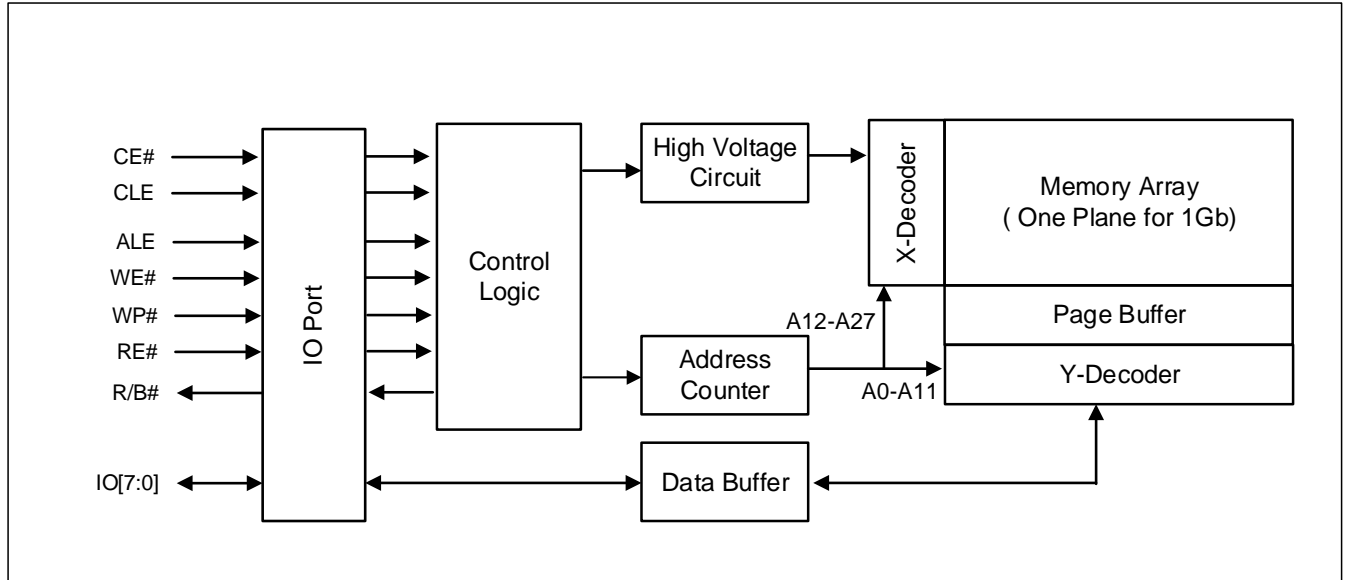


Figure 3.1 Functional Block Diagram(x8)

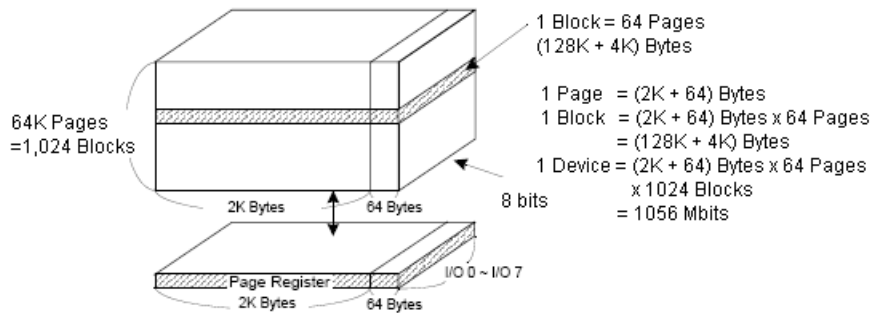


Figure 3.2 Array Organization(x8)

**Table 3.1 ARRAY Address (x8)**

	I/O 0	I/O 1	I/O 2	I/O 3	I/O 4	I/O 5	I/O 6	I/O 7	Address
1 <sup>st</sup> cycle	A <sub>0</sub>	A <sub>1</sub>	A <sub>2</sub>	A <sub>3</sub>	A <sub>4</sub>	A <sub>5</sub>	A <sub>6</sub>	A <sub>7</sub>	Column Address
2 <sup>nd</sup> cycle	A <sub>8</sub>	A <sub>9</sub>	A <sub>10</sub>	A <sub>11</sub>	*L	*L	*L	*L	Column Address
3 <sup>rd</sup> cycle	A <sub>12</sub>	A <sub>13</sub>	A <sub>14</sub>	A <sub>15</sub>	A <sub>16</sub>	A <sub>17</sub>	A <sub>18</sub>	A <sub>19</sub>	Row Address
4 <sup>th</sup> cycle	A <sub>20</sub>	A <sub>21</sub>	A <sub>22</sub>	A <sub>23</sub>	A <sub>24</sub>	A <sub>25</sub>	A <sub>26</sub>	A <sub>27</sub>	Row Address

**Notes:**

1. Column Address: Starting Address of the Register.
2. \*L must be set to "Low".
3. The device ignores any additional input of address cycles than required.
4. A<sub>18</sub> is for Plane Address setting.

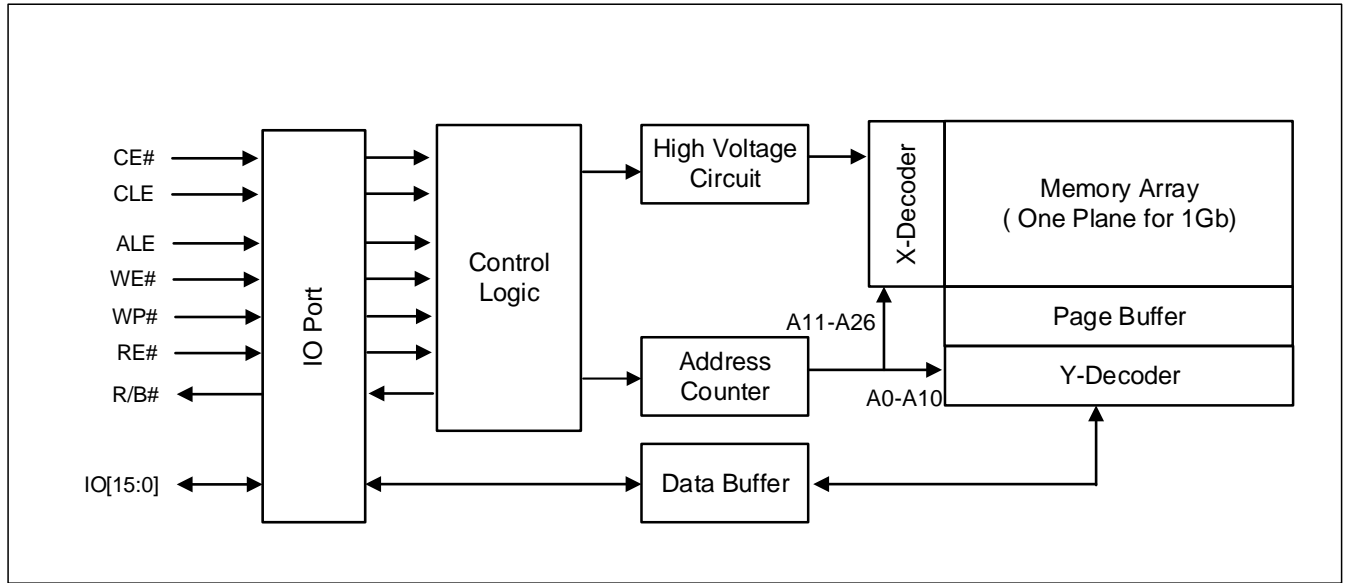


Figure 3.3 Functional Block Diagram(x16)



Figure 3.4 Array Organization(x8)

**Table 3.2 ARRAY Address (x16)**

	I/O 0	I/O 1	I/O 2	I/O 3	I/O 4	I/O 5	I/O 6	I/O 7	Address
1 <sup>st</sup> cycle	A <sub>0</sub>	A <sub>1</sub>	A <sub>2</sub>	A <sub>3</sub>	A <sub>4</sub>	A <sub>5</sub>	A <sub>6</sub>	A <sub>7</sub>	Column Address
2 <sup>nd</sup> cycle	A <sub>8</sub>	A <sub>9</sub>	A <sub>10</sub>	*L	*L	*L	*L	*L	Column Address
3 <sup>rd</sup> cycle	A <sub>11</sub>	A <sub>12</sub>	A <sub>13</sub>	A <sub>14</sub>	A <sub>15</sub>	A <sub>16</sub>	A <sub>17</sub>	A <sub>18</sub>	Row Address
4 <sup>th</sup> cycle	A <sub>19</sub>	A <sub>20</sub>	A <sub>21</sub>	A <sub>22</sub>	A <sub>23</sub>	A <sub>24</sub>	A <sub>25</sub>	A <sub>26</sub>	Row Address

**Notes:**

1. Column Address: Starting Address of the Register.
2. \*L must be set to "Low".
3. The device ignores any additional input of address cycles than required.
4. A<sub>17</sub> is for Plane Address setting.

#### **4. OPERATION DESCRIPTION**

The IS34/35MW01G084/164 are 1Gbit memory organized as 64K rows (pages) by 2,112x8 columns. Spare 64x8 columns are located from column address of 2,048~2,111. A 2,112-byte data register is connected to memory cell arrays accommodating data transfer between the I/O buffers and memory during page read and page program operations. The program and read operations are executed on a page basis, while the erase operation is executed on a block basis. The memory array consists of 1,024 separately erasable 128K-byte blocks. It indicates that the bit-by-bit erase operation is prohibited on the device.

The device has addresses multiplexed into 8 or 16 I/Os. This scheme dramatically reduces pin counts and allows system upgrades to future densities by maintaining consistency in system board design. Command, address and data are all written through I/O's by bringing WE# to low while CE# is low. Those are latched on the rising edge of WE#. Command Latch Enable (CLE) and Address Latch Enable (ALE) are used to multiplex command and address respectively, via the I/O pins. Some commands require one bus cycle. For example, Reset Command, Status Read Command, etc require just one cycle bus. Some other commands, like page read and block erase and page program, require two cycles: one cycle for setup and the other cycle for execution.

In addition to the enhanced architecture and interface, the device incorporates copy-back program feature from one page to another page without need for transporting the data to and from the external buffer memory.

**Table 4.1 Command Set**

Function	1 <sup>st</sup> Cycle	2 <sup>nd</sup> Cycle	Acceptable Command during Busy
Read	00h	30h	
Read for Copy-Back	00h	35h	
Read ID	90h	-	
Reset	FFh	-	O
Page Program	80h	10h	
Copy-Back Program	85h	10h	
Block Erase	60h	D0h	
Random Data Input <sup>(1)</sup>	85h	-	
Random Data Output <sup>(1)</sup>	05h	E0h	
Read Status	70h	-	O
Cache Program	80h	15h	
Cache Read	31h	-	
Read Start For Last Page Cache Read	3Fh	-	

**Notes:**

1. Random Data Input/Output can be executed in a page.

## 5. ELECTRICAL CHARACTERISTICS

### 5.1 ABSOLUTE MAXIMUM RATINGS <sup>(1)</sup>

Storage Temperature		-65°C to +150°C
Surface Mount Lead Soldering Temperature	Standard Package	240°C 3 Seconds
	Lead-free Package	260°C 3 Seconds
Input Voltage with Respect to Ground on All Pins		-0.6V to +2.45V
All I/O Voltage with Respect to Ground		-0.6V to V <sub>CC</sub> + 0.3V (< 2.45V)
V <sub>CC</sub>		-0.6V to +2.45V
Short Circuit Current		5mA
Electrostatic Discharge Voltage (Human Body Model) <sup>(2)</sup>		-2000V to +2000V

#### Notes:

1. Applied conditions greater than those listed in “Absolute Maximum Ratings” may cause permanent damage to the device. This is a stress rating only and functional operation of the device at these or any other conditions above those indicated in the operational sections of this specification is not implied. Exposure to absolute maximum rating conditions for extended periods may affect reliability.
2. ANSI/ESDA/JEDEC JS-001

### 5.2 RECOMMENDED OPERATING CONDITIONS

Part Number	IS34/35MW01G084/164
Operating Temperature (Industrial Grade)	-40°C to 85°C
Operating Temperature (Extended Grade)	-40°C to 105°C
Operating Temperature (Automotive Grade A1)	-40°C to 85°C
Operating Temperature (Automotive Grade A2)	-40°C to 105°C
V <sub>CC</sub> Power Supply	1.7V (V <sub>MIN</sub> ) – 1.95V (V <sub>MAX</sub> ); 1.8V (Typ)



**5.3 DC CHARACTERISTICS**

(Under operating range)

Parameter		Symbol	Test Conditions	Min	Typ.	Max	Unit
Operating Current	Page Read with Serial Access	ICC1	tRC=tRC <sub>Min</sub> , CE#=VIL, IOU=0mA	-	15	20	mA
	Program	ICC2	-	-	15		
	Erase	ICC3	-	-	15		
Stand-by Current (TTL)		ISB1	CE#=VIH, WP#=0V/VCC	-	-	1	
Stand-by Current (CMOS)		ISB2	CE#=VCC-0.2, WP#=0V/VCC	-	10	50	
Input Leakage Current		ILI	VIN=0 to Vcc (max)	-	-	+/-10	uA
Output Leakage Current		ILO	VOU=0 to Vcc (max)	-	-	+/-10	
Input High Voltage		VIH <sup>(1)</sup>		0.8xVCC	-	Vcc+0.3	V
Input Low Voltage, All inputs		VIL <sup>(1)</sup>		-0.3	-	0.2xVCC	
Output High Voltage Level		VOH	IOH=-100 uA	VCC-0.1	-	-	
Output Low Voltage Level		VOL	IOL=+100 uA	-	-	0.1	
Output Low Current (R/B#)		IOL (R/B#)	VOL=0.2V	3	4	-	mA

**Notes:**

- VIL can undershoot to -2V and VIH can overshoot to VCC + 2V for durations of 20 ns or less.
- Typical value are measured at Vcc=1.8V, TA=25°C. Not 100% tested.

**5.4 VALID BLOCK**

Parameter	Symbol	Min	Typ.	Max	Unit
IS34/35MW01G084/164	NVB	1,004	-	1,024	Block

**Notes:**

- The device may include initial invalid blocks when first shipped. Additional invalid blocks may develop while being used. The number of valid blocks is presented with both cases of invalid blocks considered. Invalid blocks are defined as blocks that contain one or more bad bits which cause status failure during program and erase operation. Do not erase or program factory-marked bad blocks. Refer to the section 9 for appropriate management of initial invalid blocks.
- The 1st block, which is placed on 00h block address, is guaranteed to be a valid block at the time of shipment.

**5.5 AC MEASUREMENT CONDITION**

Symbol	Parameter	Min	Max	Units
CL	Output Load	1 TTL GATE and CL = 30pF		pF
TR,TF	Input Rise and Fall Times		5	ns
VIN	Input Pulse Voltages	0V to V <sub>CC</sub>		V
VREFI	Input Timing Reference Voltages	0.5V <sub>CC</sub>		V
VREFO	Output Timing Reference Voltages	0.5V <sub>CC</sub>		V

**5.6 AC PIN CAPACITANCE (TA = 25°C, VCC=1.8V, 1MHZ)**

Symbol	Parameter	Test Condition	Min	Typ	Max	Units
C <sub>IN</sub>	Input Capacitance	V <sub>IN</sub> = 0V	-	-	10	pF
C <sub>I/O</sub>	Input /Output Capacitance	V <sub>I/O</sub> = 0V	-	-	10	pF

**Note:**

1. These parameters are characterized and not 100% tested.

**5.7 MODE SELECTION**

CLE	ALE	CE#	WE#	RE#	WP#	Mode	
H	L	L		H	X	Read Mode	Command Input
L	H	L		H	X		Address Input (4 clock)
H	L	L		H	H	Write Mode	Command Input
L	H	L		H	H		Address Input (4 clock)
L	L	L		H	H	Data Input	
L	L	L	H		X	Data Output	
X	X	X	X	H	X	During Read (Busy)	
X	X	X	X	X	H	During Program (Busy)	
X	X	X	X	X	H	During Erase (Busy)	
X	X <sup>(1)</sup>	X	X	X	L	Write Protect	
X	X	H	X	X	0V/V <sub>CC</sub> <sup>(2)</sup>	Stand-by	

**Notes :**

1. X can be VIL or VIH.
2. WP# should be biased to CMOS high or CMOS low for standby.

**5.8 ROGRAM/ERASE PERFORMANCNE**

 (Industrial: T<sub>A</sub>=-40 to 85°C, Automotive, A1: T<sub>A</sub>=-40 to 85°C, V<sub>cc</sub>=1.7V ~ 1.95V)

Parameter	Symbol	Min	Typ	Max	Unit
Average Program Time	tPROG	-	300	750	us
Dummy Busy Time for Cache Operation	tCBSY	-	3	750	us
Number of Partial Program Cycles in the Same Page	Nop	-	-	4	cycle
Block Erase Time	tBERS	-	3	10	ms

**Notes:**

1. Typical program time is defined as the time within which more than 50% of the whole pages are programmed at 1.8V V<sub>cc</sub> and 25°C temperature.
2. **tPROG is the average program time of all pages. Users should be noted that the program time variation from page to page is possible.**
3. tCBSY max.time depends on timing between internal program completion and data-in.

**5.9 AC CHARACTERISTICS FOR ADDRESS/ COMMAND/DATA INPUT**

Parameter	Symbol	Min	Max	Unit
CLE Setup Time	tCLS <sup>(1)</sup>	25	-	ns
CLE Hold Time	tCLH	10	-	ns
CE# Setup Time	tCS <sup>(1)</sup>	35	-	ns
CE# Hold Time	tCH	10	-	ns
WE# Pulse Width	tWP	25	-	ns
ALE Setup Time	tALS <sup>(1)</sup>	25	-	ns
ALE Hold Time	tALH	10	-	ns
Data Setup Time	tDS <sup>(1)</sup>	20	-	ns
Data Hold Time	tDH	10	-	ns
Write Cycle Time	tWC	45	-	ns
WE# High Hold Time	tWH	15	-	ns
Address to Data Loading Time	tADL <sup>(2)</sup>	100 <sup>(2)</sup>	-	ns

**Notes:**

1. The transition of the corresponding control pins must occur only once while WE# is held low.
2. tADL is the time from the WE rising edge of final address cycle to the WE# rising edge of first data cycle.

**5.10 AC CHARACTERISTICS FOR OPERATION**

Parameter		Symbol	Min	Max	Unit
Data Transfer from Cell to Register		tR	-	25	us
ALE to RE# Delay		tAR	10	-	ns
CLE to RE# Delay		tCLR	10	-	ns
Ready to RE# Low		tRR	20	-	ns
RE# Pulse Width		tRP	25	-	ns
WE# High to Busy		tWB	-	100	ns
WP# Low to WE# Low (disable mode)		tWW	100	-	ns
WP# High to WE# Low (enable mode)					
Read Cycle Time		tRC	45	-	ns
RE# Access Time		tREA	-	30	ns
CE# Access Time		tCEA	-	45	ns
RE# High to Output Hi-Z		tRHZ	-	100	ns
CE# High to Output Hi-Z		tCHZ	-	30	ns
CE# High to ALE or CLE Don't care		tCSD	0	-	ns
RE# High to Output Hold		tRHOH	15	-	ns
RE# Low to Output Hold		tRLOH	5	-	ns
CE# High to Output Hold		tCOH	15	-	ns
RE# High Hold Time		tREH	15	-	ns
Output Hi-Z to RE# Low		tIR	0	-	ns
RE# High to WE# Low		tRHW	100	-	ns
WE# High to RE# Low		tWHR	60	-	ns
Device Resetting Time during...	Read	tRST	-	5	us
	Program		-	10	us
	Erase		-	500	us
	Ready		-	5 <sup>(1)</sup>	us
Cache Busy in Read Cache (following 31h and 3Fh)		tDCBSYR	-	30	us

**Note:** If reset command (FFh) is written at Ready state, the device goes into Busy for maximum 5us.

## 6. TIMING DIAGRAMS

### 6.1 COMMAND LATCH CYCLE



Figure 6.1 Command Latch Cycle

### 6.2 ADDRESS LATCH CYCLE

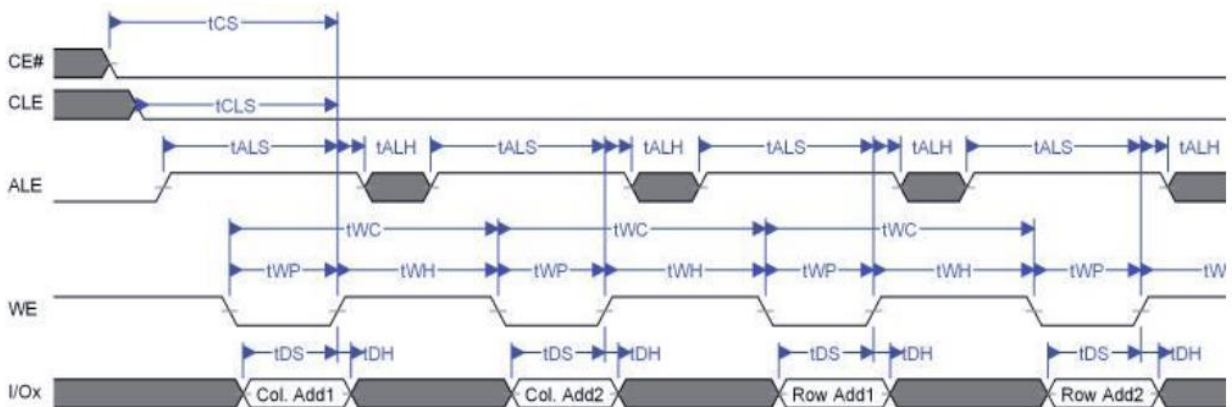


Figure 6.2 Address Latch Cycle

6.3 INPUT DATA LATCH CYCLE



Figure 6.3 Input Data Latch Cycle

6.4 SERIAL ACCESS CYCLE AFTER READ (CLE=L, WE#=H, ALE=L)



Note:

1. D<sub>out</sub> transition is measured at ±200mV from steady state voltage at I/O with load.
2.  $t_{RHOH}$  starts to be valid when frequency is lower than 33MHz.

Figure 6.4 Serial Access Cycle after Read

**6.5 SERIAL ACCESS CYCLE AFTER READ (EDO TYPE CLE=L, WE#=H, ALE=L)**



**Notes:**

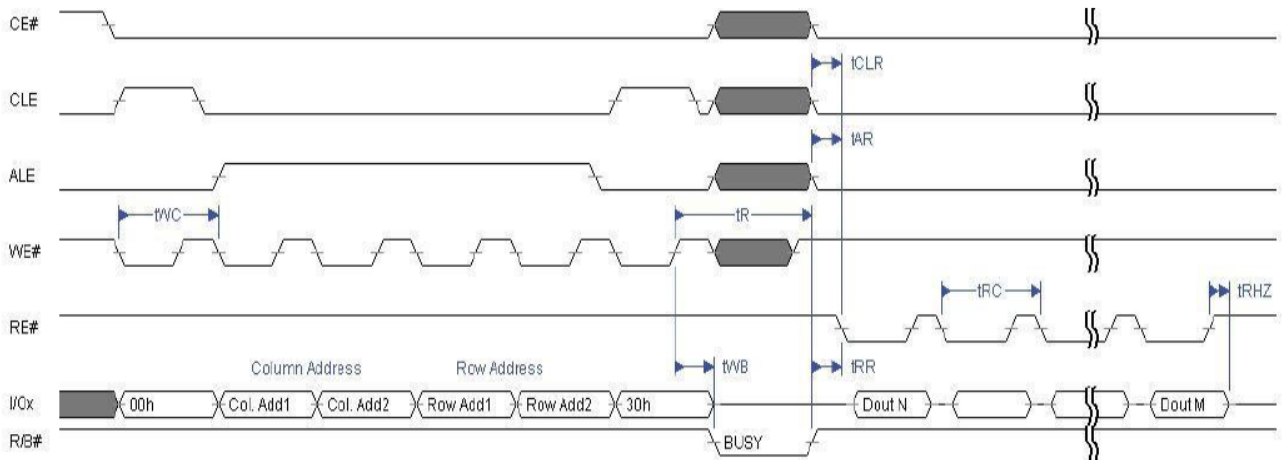
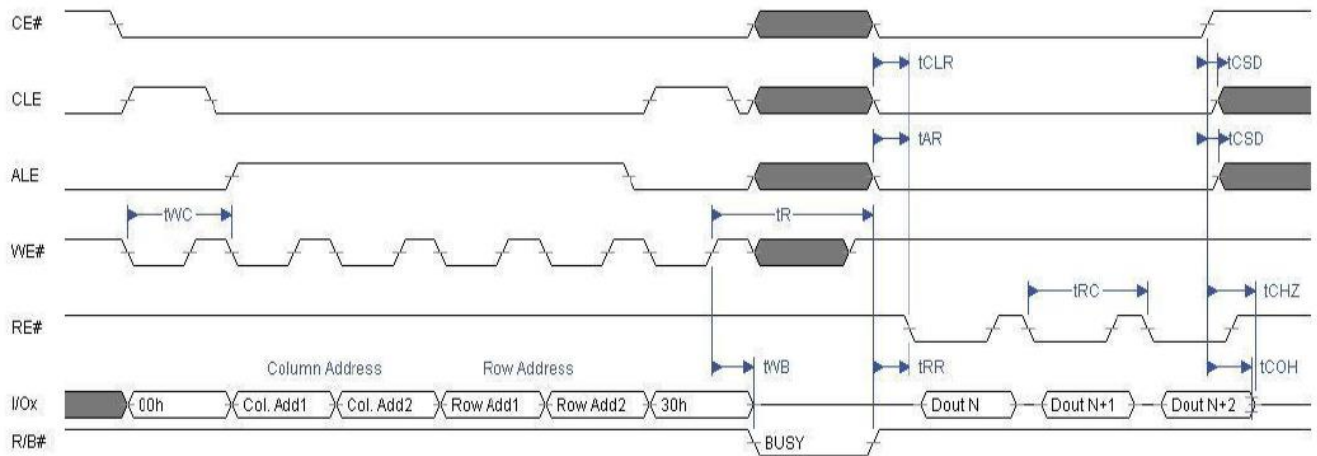
1. Transition is measured at +/-200mV from steady state voltage with load. This parameter is sample and not 100% tested. (tCHZ, tRHZ)
2. tRLOH is valid when frequency is higher than 33MHZ. tRHOH starts to be valid

**Figure 6.5 Serial Access Cycle after Read (EDO Type CLE=L, WE#=H, ALE=L)**

**6.6 STATUS READ CYCLE**



**Figure 6.6 Status Read Cycle**

**6.7 READ OPERATION (ONE PAGE)**

**Figure 6.7 Read Operation (One Page)**
**6.8 READ OPERATION (INTERCEPTED BY CE#)**

**Figure 6.8 Read Operation (Intercepted by CE#)**



6.9 RANDOM DATA OUTPUT IN A PAGE

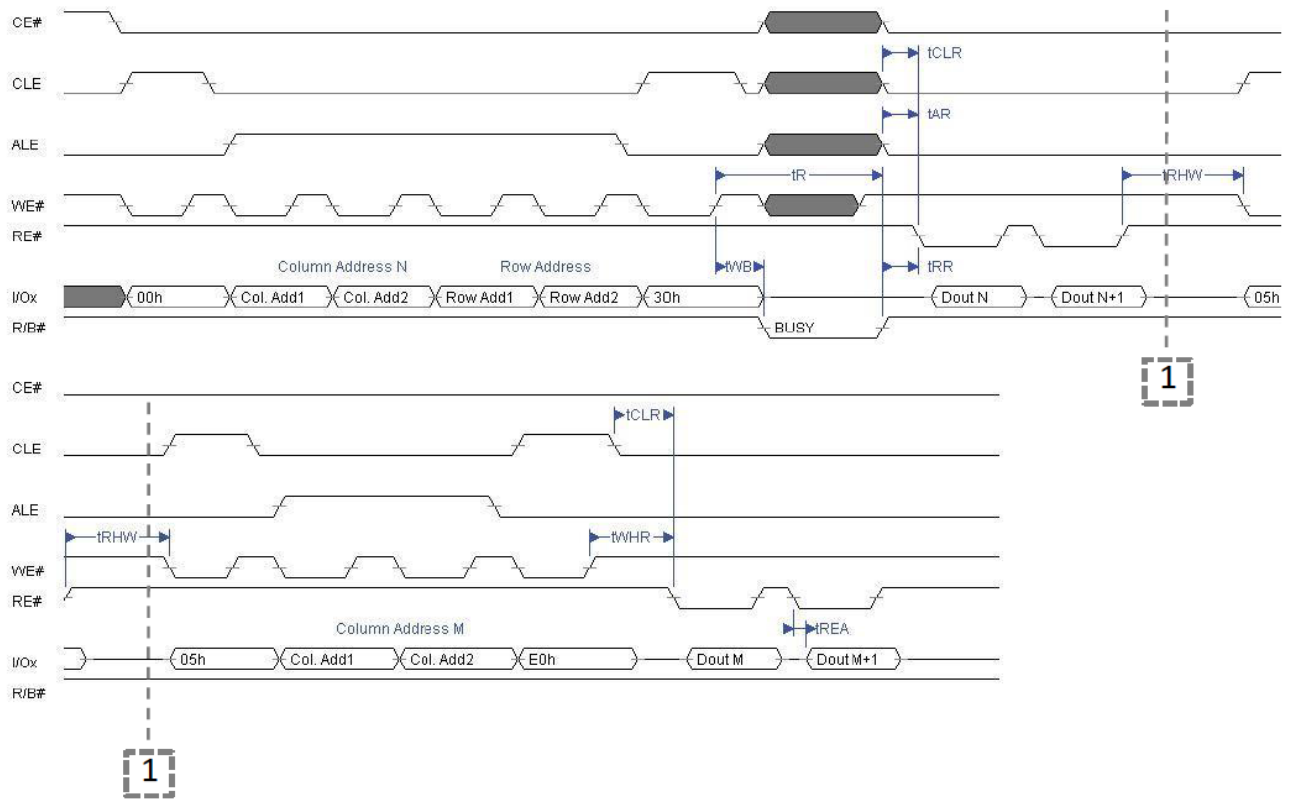


Figure 6.9 Random Data Output in a Page

6.10 PAGE PROGRAM OPERATION

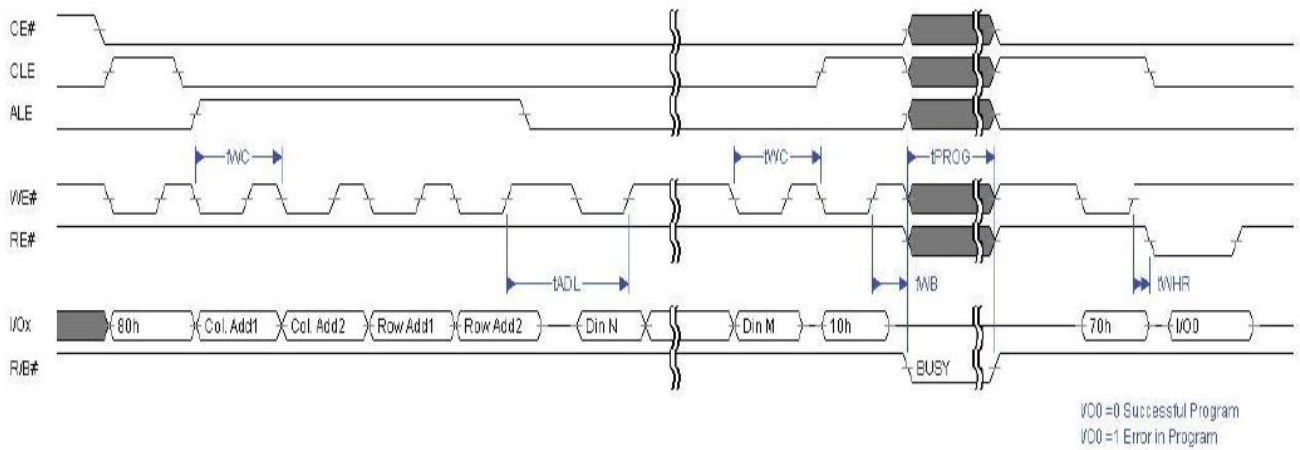
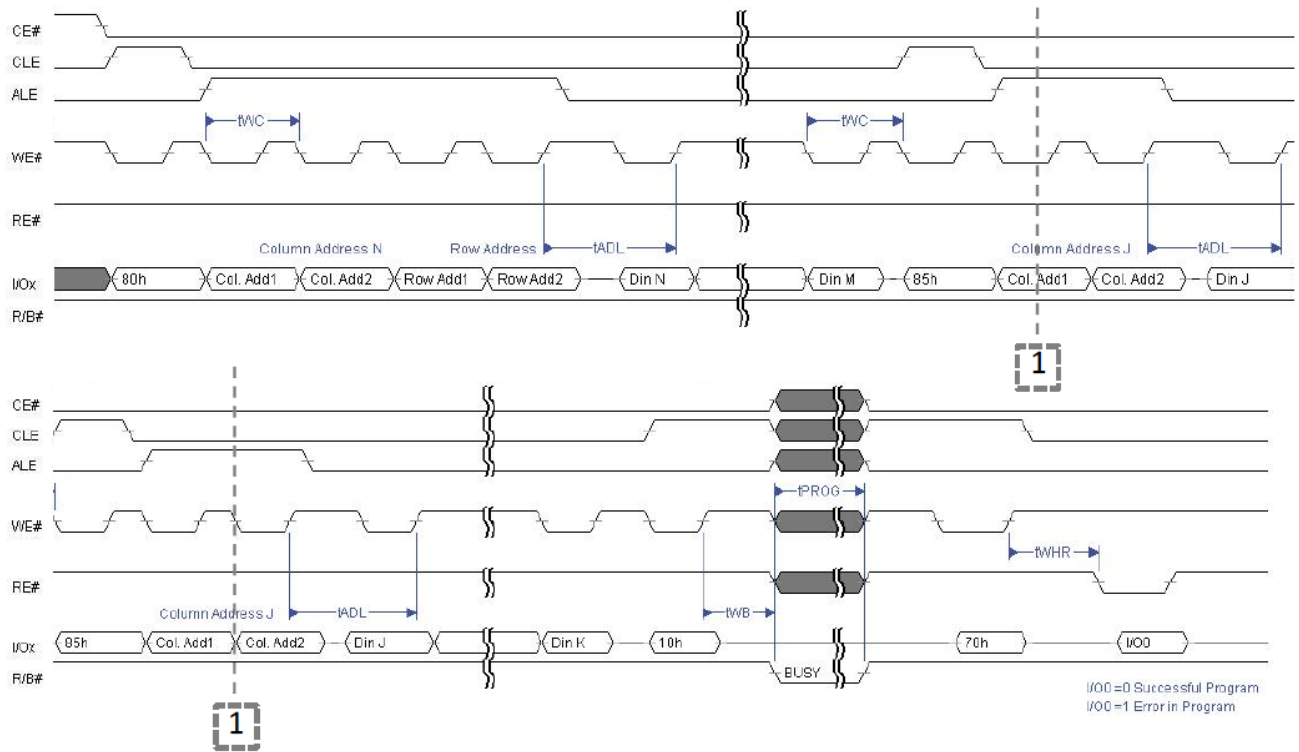


Figure 6.10 Page Program Operation

Note:

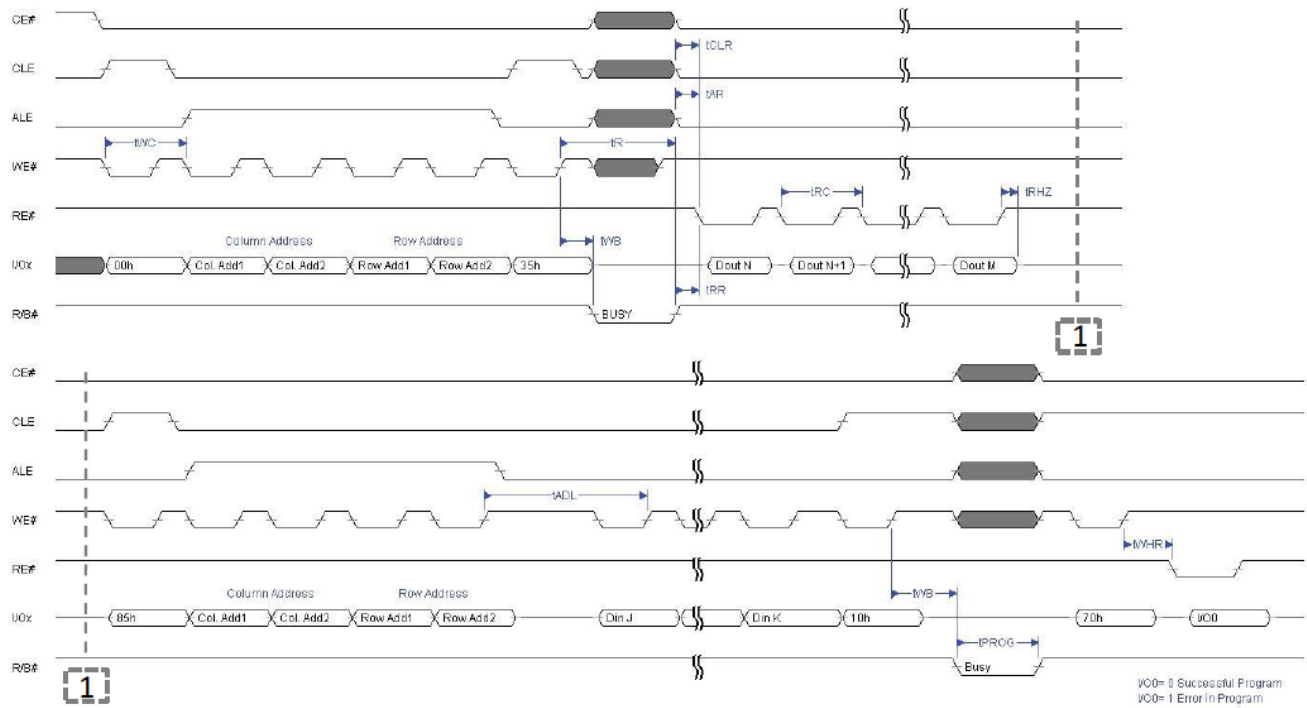
1. tADL is the time from WE# rising edge of final address cycle to the WE# rising edge of the first data cycle.

6.11 PAGE PROGRAM OPERATION WITH RANDOM DATA INPUT



**Note:**  $t_{ADL}$  is the time from the WE# rising edge of final address cycle to the WE# rising edge of the first data cycle.

Figure 6.11 Page Program Operation with Random Data Input

**6.12 COPY-BACK OPERATION WITH RANDOM DATA INPUT**

**Figure 6.12 Copy-Back Operation with Random Data Input**

### 6.13 CACHE PROGRAM OPERATION

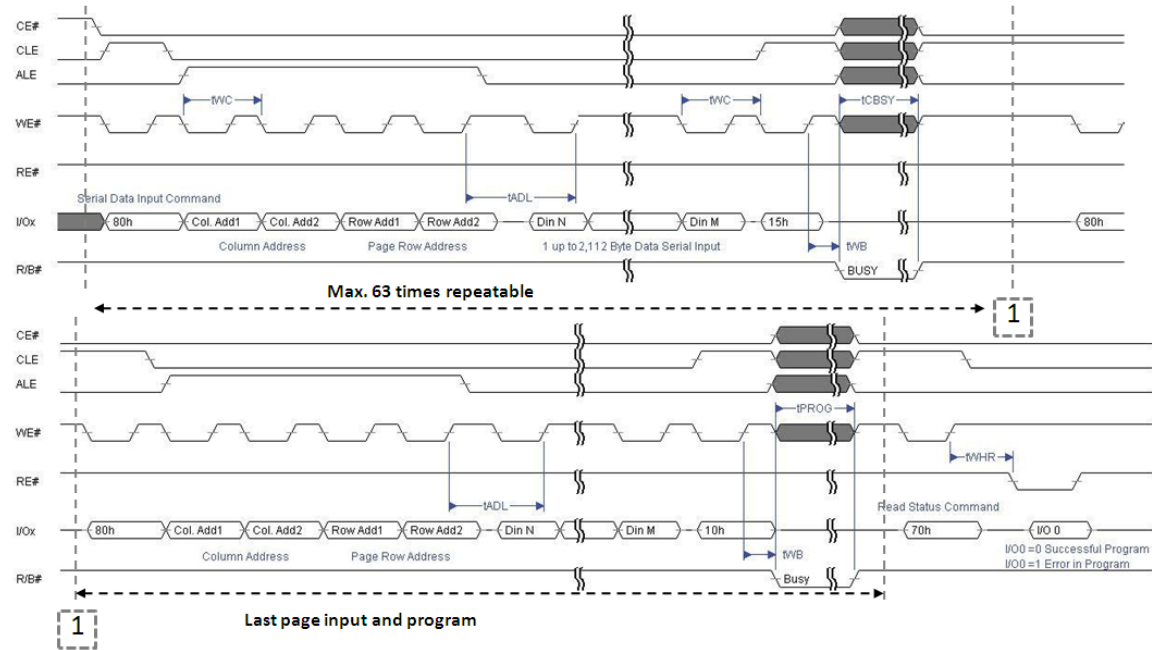


Figure 6.13 Cache Program Operation

### 6.14 BLOCK ERASE OPERATION



Figure 6.14. Block Erase Operation

6.15 CACHE READ OPERATION



Figure 6.15.Cache Read Operation

## 7. ID Definition Table

The device contains ID codes that identify the device type and the manufacturer.

Part No.	1 <sup>st</sup> Cycle (Maker Code)	2 <sup>nd</sup> Cycle (Device Code)	3 <sup>rd</sup> Cycle	4 <sup>th</sup> Cycle	5 <sup>th</sup> Cycle	6 <sup>th</sup> ~ 8 <sup>th</sup> Cycle
IS34/35MW01G084 (X16)	C8h	91h	80h	55h	40h	7Fh
IS34/35MW01G084 (X8)	C8h	81h	80h	15h	40h	7Fh

	Description
1 <sup>st</sup> Byte	Maker Code
2 <sup>nd</sup> Byte	Device Code
3 <sup>rd</sup> Byte	Internal Chip Number, Cell Type, etc
4 <sup>th</sup> Byte	Page Size, Block Size, etc
5 <sup>th</sup> Byte	Plane Number, Plane Size, ECC Level
6 <sup>th</sup> Byte	JEDEC Maker Code Continuation Code, 7Fh
7 <sup>th</sup> Byte	JEDEC Maker Code Continuation Code, 7Fh
8 <sup>th</sup> Byte	JEDEC Maker Code Continuation Code, 7Fh
9 <sup>th</sup> Byte	JEDEC Maker Code Continuation Code, 7Fh

### 3<sup>rd</sup> ID Data

Item	Description	I/O7	I/O6	I/O5	I/O4	I/O3	I/O2	I/O1	I/O0
Internal Chip Number	1							0	0
	2							0	1
	4							1	0
	8							1	1
Cell Type	2 Level Cell					0	0		
	4 Level Cell					0	1		
	8 Level Cell					1	0		
	16 Level Cell					1	1		
Number of Simultaneously Programmed Pages	1			0	0				
	2			0	1				
	4			1	0				
	8			1	1				
Interleave Program Between Multiple Chips	Not Support		0						
	Support		1						
Cache Program	Not Support	0							
	Support	1							

**4<sup>th</sup> ID Data**

Item	Description	I/O7	I/O6	I/O5	I/O4	I/O3	I/O2	I/O1	I/O0
Page Size (w/o redundant area)	1KB							0	0
	2KB							0	1
	4KB							1	0
	8KB							1	1
Redundant Area Size (Byte/512Byte)	8						0		
	16						1		
Block Size (w/o redundant area)	64KB			0	0				
	128KB			0	1				
	256KB			1	0				
	512KB			1	1				
Organization	X8		0						
	X16		1						
Serial Access Time	45ns	0				0			
	Reserved	0				1			
	25ns	1				0			
	Reserved	1				1			

**5<sup>th</sup> ID Data**

Item	Description	I/O7	I/O6	I/O5	I/O4	I/O3	I/O2	I/O1	I/O0
ECC Level	4bit/512B							0	0
	2bit/512B							0	1
	1bit/512B							1	0
	Reserved							1	1
Plane Number	1					0	0		
	2					0	1		
	4					1	0		
	8					1	1		
Plane Size(without Redundant Area)	64Kb		0	0	0				
	128Kb		0	0	1				
	256Kb		0	1	0				
	512Kb		0	1	1				
	1Gb		1	0	0				
	2Gb		1	0	1				
	4Gb		1	1	0				
8Gb		1	1	1					
Reserved	Reserved	0							

**6<sup>th</sup> ~ 9<sup>th</sup> ID Data**

Item	Description	I/O7	I/O6	I/O5	I/O4	I/O3	I/O2	I/O1	I/O0
JEDEC Maker Code Continuation Code	7F	0	1	1	1	1	1	1	1

## 8. DEVICE OPERATION

### 8.1 PAGE READ OPERATION

Upon initial device power up, the device defaults to Read mode. This operation is also initiated by writing 00h command, four-cycle address, and 30h command. After initial power up, the 00h command can be skipped because it has been latched in the command register. The 2,112Byte of data on a page are transferred to cache registers via data registers within 25us (tR). Host controller can detect the completion of this data transfer by checking the R/B# output. Once data in the selected page have been loaded into cache registers, each Byte can be read out in 45ns cycle time by continuously pulsing RE#. The repetitive high-to-low transitions of RE# clock signal make the device output data starting from the designated column address to the last column address.

The device can output data at a random column address instead of sequential column address by using the Random Data Output command. Random Data Output command can be executed multiple times in a page.

After power up, device is in read mode so 00h command cycle is not necessary to start a read operation.

A page read sequence is illustrated in Figure below, where column address, page address are placed in between commands 00h and 30h. After tR read time, the R/B# de-asserts to ready state. Read Status command (70h) can be issued right after 30h. Host controller can toggle RE# to access data starting with the designated column address and their successive bytes.

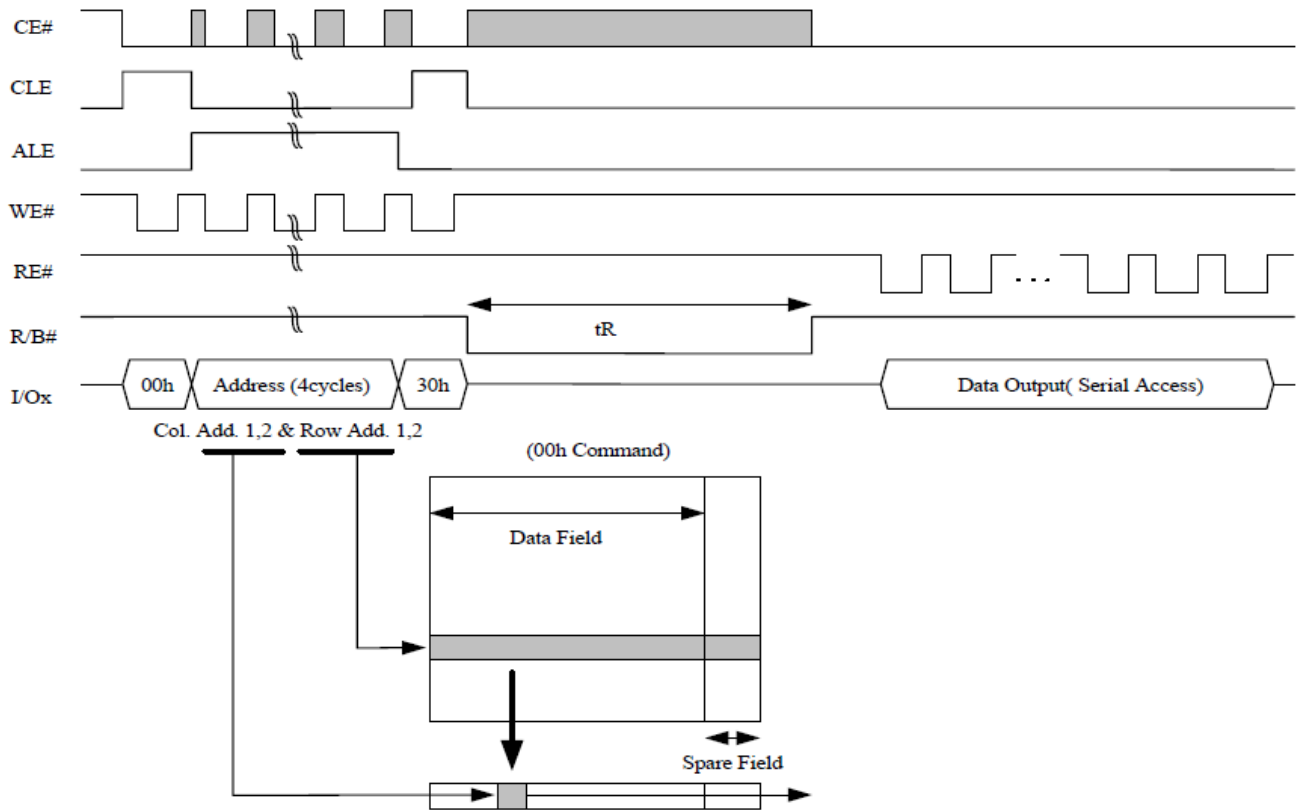


Figure 8.1 Read Operation



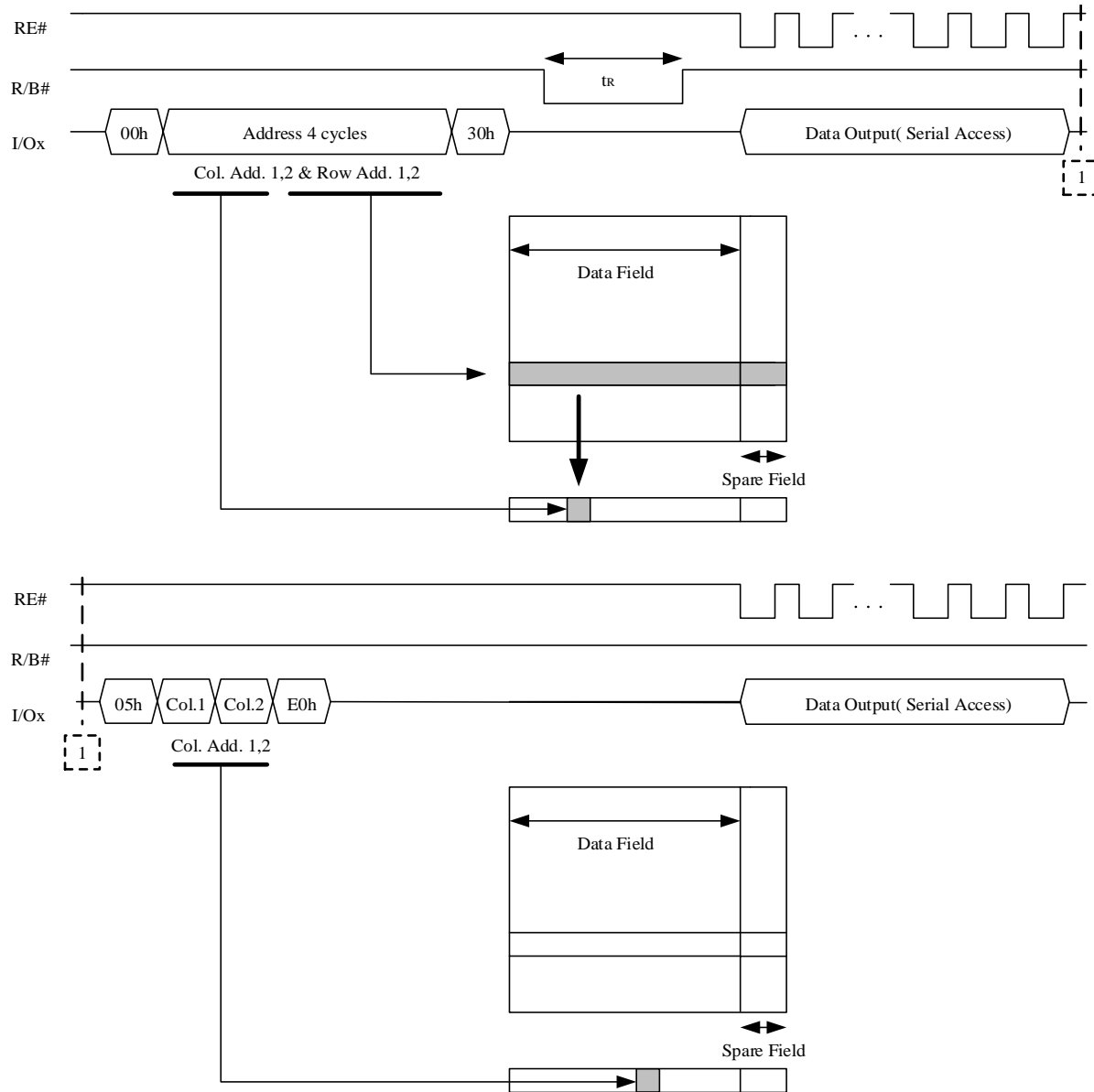


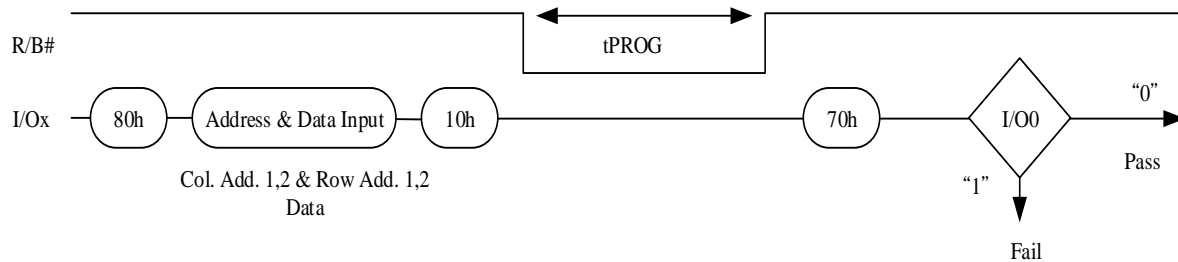
Figure 8.2 Random Data Output In a Page

## 8.2 PAGE PROGRAM

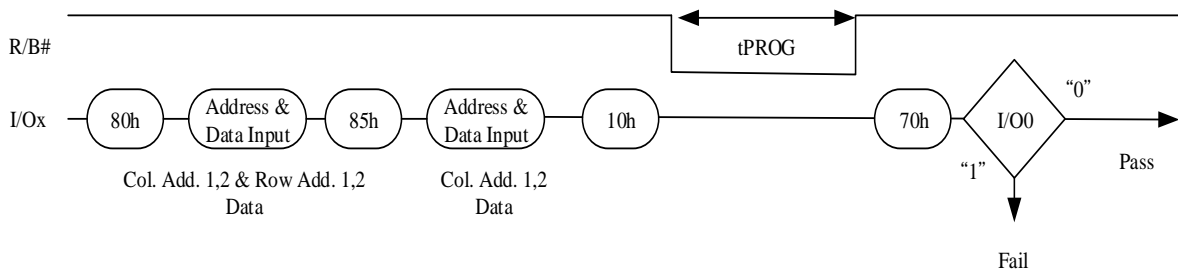
The device is programmed based on the unit of a page, and consecutive partial page programming on one page without intervening erase operation is strictly prohibited. Addressing of page program operations within a block should be in sequential order. A complete page program cycle consists of a serial data input cycle in which up to 2,112 bytes of data can be loaded into data register via cache register, followed by a programming period during which the loaded data are programmed into the designated memory cells.

The serial data input cycle begins with the Serial Data Input command (80h), followed by a four-cycle address input and then serial data loading. The bytes not to be programmed on the page do not need to be loaded. The column address for the next data can be changed to the address follows Random Data Input command (85h). Random Data Input command may be repeated multiple times in a page. The Page Program Confirm command (10h) starts the programming process. Writing 10h alone without entering data will not initiate the programming process. The internal write engine automatically executes the corresponding algorithm and controls timing for programming and verification, thereby freeing the host controller for other tasks. Once the program process starts, the host controller can detect the completion of a program cycle by monitoring the R/B# output or reading the Status bit (I/O6) using the Read Status command. Only Read Status and Reset commands are valid during programming. When the Page Program operation is completed, the host controller can check the Status bit (I/O0) to see if the Page Program operation is successfully done. The command register remains the Read Status mode unless another valid command is written to it.

A page program sequence is illustrated in Figure below, where column address, page address, and data input are placed in between 80h and 10h. After tPROG program time, the R/B# de-asserts to ready state. Read Status command (70h) can be issued right after 10h.



**Figure 8.3 Program and Read Status Operation**

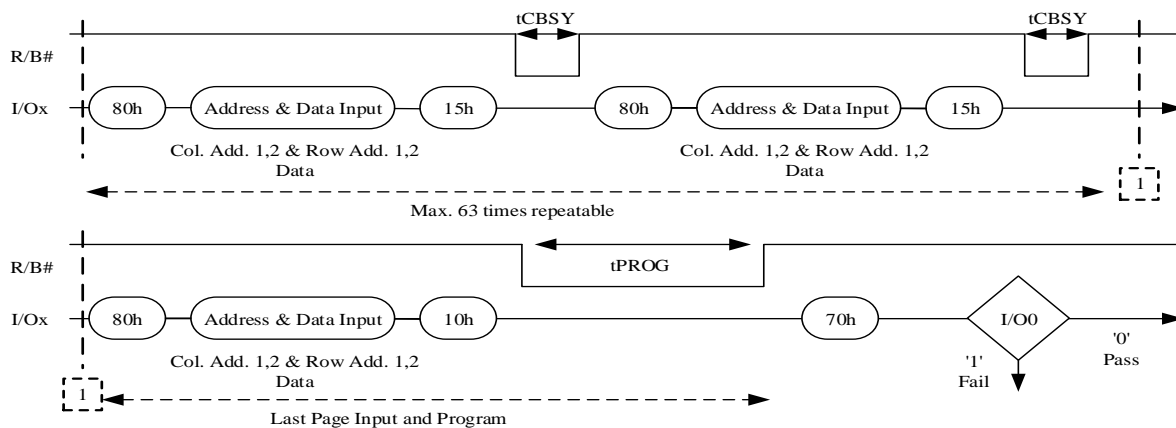


**Figure 8.4 Random Data Input In a Page**

### 8.3 CACHE PROGRAM

The Cache Program is an extension of Page Program, which is executed with 2,112 byte(x8) or 1,056 words(x16) data registers, and is available only within a block. Since the device has 1 page of cache memory, serial data input may be executed while data stored in data register are programmed into memory cell.

After writing the first set of data up to 2,112 bytes(x8) or 1,056 words(x16) into the selected cache registers, Cache Program command (15h) instead of actual Page Program (10h) is inputted to make cache registers free and to start internal program operation. To transfer data from cache registers to data registers, the device remains in Busy state for a short period of time ( $t_{CBSY}$ ) and has its cache registers ready for the next data-input while the internal programming gets started with the data loaded into data registers. Read Status command (70h) may be issued to find out when cache registers become ready by polling the Cache-Busy status bit (I/O6). Pass/fail status of only the previous page is available upon the return to Ready state. When the next set of data is inputted with the Cache Program command,  $t_{CBSY}$  is affected by the progress of pending internal programming. The programming of the cache registers is initiated only when the pending program cycle is finished and the data registers are available for the transfer of data from cache registers. The status bit (I/O5) for internal Ready/Busy may be polled to identify the completion of internal programming. If the system monitors the progress of programming only with R/B#, the last page of the target programming sequence must be programmed with actual Page Program command (10h).



**NOTE:**

1. Since programming the last page does not employ caching, the program time has to be that of Page Program. However, if the previous program cycle with the cache data has not finished, the actual program cycle of the last page is initiated only after completion of the previous cycle, which can be expressed as the following formula.
2.  $t_{PROG} = \text{Program time for the last page} + \text{Program time for the (last-1)th page} - (\text{Program command cycle time} + \text{Last page data loading time})$

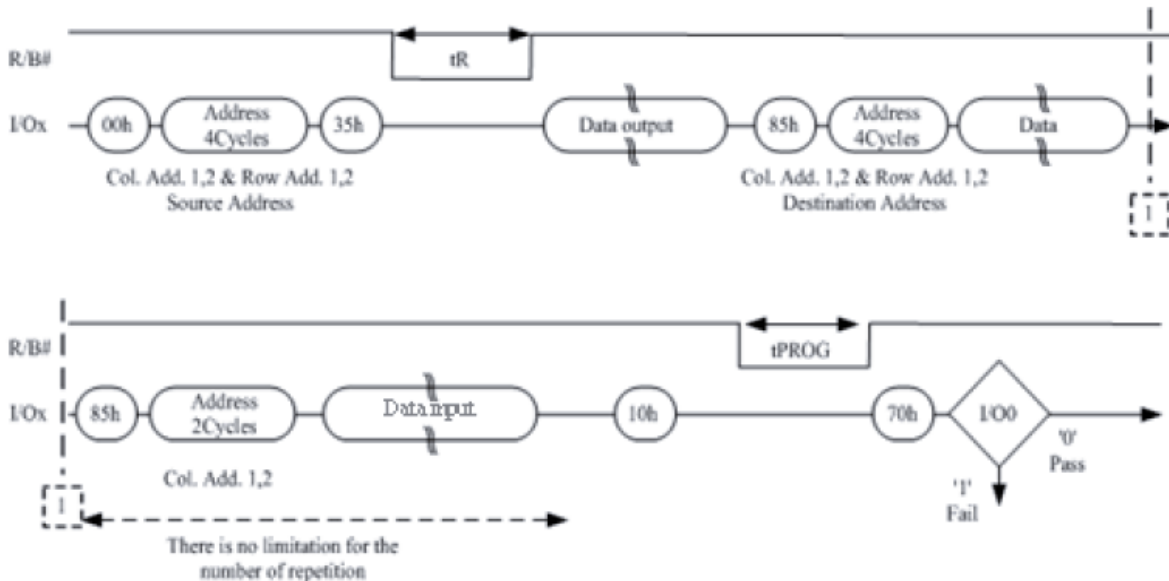
**Figure 8.5 Fast Cache Program (Available only within a Block)**

### 8.4 COPY-BACK PROGRAM

Copy-Back Program is designed to efficiently copy data stored in memory cells without time-consuming data reloading when there is no bit error detected in the stored data. The benefit is particularly obvious when a portion of a block is updated and the rest of the block needs to be copied to a newly assigned empty block. Copy-Back operation is a sequential execution of Read for Copy-Back and of Copy-Back Program with Destination address. A Read for Copy-Back operation with “35h” command and the Source address moves the whole 2,112byte data into the internal buffer. The host controller can detect bit errors by sequentially reading the data output. Copy-Back Program is initiated by issuing Page-Copy Data-Input command (85h) with Destination address. If data modification is necessary to correct bit errors and to avoid error propagation, data can be reloaded after the Destination address. Data modification can be repeated multiple times as shown in Figure below. Actual programming operation begins when Program Confirm command (10h) is issued. Once the program process starts, the Read Status command (70h) may be entered to read the status register. The host controller can detect the completion of a program cycle by monitoring the R/B# output, or the Status bit (I/O6) of the Status Register. When the Copy-Back Program is complete, the Status Bit (I/O0) may be checked. The command register remains Read Status mode until another valid command is written to it.



**Figure 8.6 Page Copy-Back Program Operation**

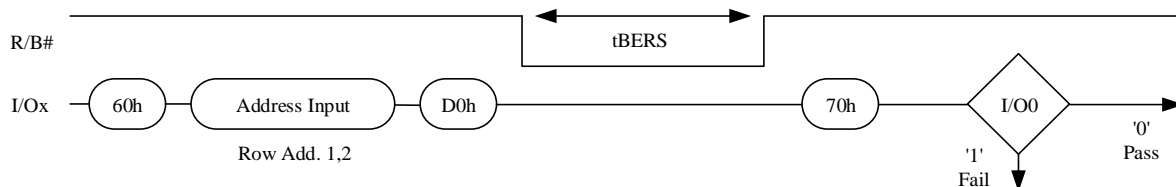


**Figure 8.7 Page Copy-Back Program Operation with Random Data Input**

## 8.5 BLOCK ERASE

The block-based Erase operation is initiated by an Erase Setup command (60h), followed by a three-cycle row address, in which only Plane address and Block address are valid while Page address is ignored. The Erase Confirm command (D0h) following the row address starts the internal erasing process. The two-step command sequence is designed to prevent memory content from being inadvertently changed by external noise.

At the rising edge of WE# after the Erase Confirm command input, the internal control logic handles erase and erase-verify. When the erase operation is completed, the host controller can check Status bit (I/O0) to see if the erase operation is successfully done. Figure below illustrates a block erase sequence, and the address input (the first page address of the selected block) is placed in between commands 60h and D0h. After tBERS erase time, the R/B# de-asserts to ready state. Read Status command (70h) can be issued right after D0h to check the execution status of erase operation.



**Figure 8.8 Block Erase Operation**

## 8.6 READ STATUS

A status register on the device is used to check whether program or erase operation is completed and whether the operation is completed successfully. After writing 70h/F1h command to the command register, a read cycle outputs the content of the status register to I/O pins on the falling edge of CE# or RE#, whichever occurs last. These two commands allow the system to poll the progress of each device in multiple memory connections even when R/B# pins are common-wired. RE# or CE# does not need to toggle for status change.

The command register remains in Read Status mode unless other commands are issued to it. Therefore, if the status register is read during a random read cycle, a read command (00h) is needed to start read cycles.

**Table 8.1 Status Register Definition for 70h Command**

I/O	Page Program	Block Erase	Cache Program	Read	Cache Read	Definition
I/O 0	Pass/Fail	Pass/Fail	Pass/Fail(N)	NA	NA	Pass : 0 Fail : 1
I/O 1	NA	NA	Pass/ Fail (N-1)	NA	NA	Don't cared
I/O 2	NA (Pass/Fail,OTP)	NA	NA	NA	NA	Don't cared
I/O 3	NA	NA	NA	NA	NA	Don't cared
I/O 4	NA	NA	NA	NA	NA	Don't cared
I/O 5	NA	NA	True Ready/Busy	NA	True Ready/Busy	Busy : 0 Ready : 1
I/O 6	Ready/Busy	Ready/Busy	Ready/Busy	Ready/Busy	Ready/Busy	Busy : 0 Ready : 1
I/O 7	Write Protect	Write Protect	Write Protect	Write Protect	Write Protect	Protected : 0 Not Protected : 1

**Note:**

1. I/Os defined NA are recommended to be masked out when Read Status is being executed.
2. N = current page, N-1 = previous page.

**Table 8.2 Status Register Definition for F1h Command**

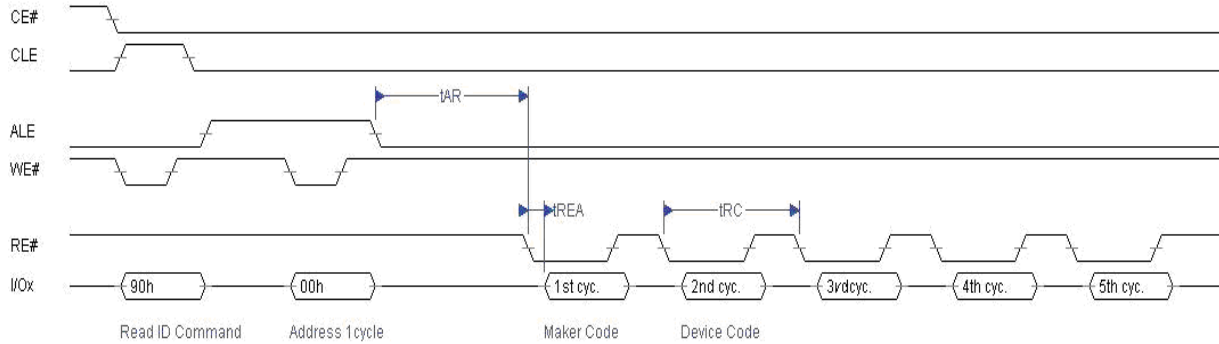
I/O	Page Program	Block Erase	Cache Program	Read	Cache Read	Definition
I/O 0	Chip Pass/Fail	Chip Pass/Fail	Chip Pass/Fail(N)	NA	NA	Pass : 0 Fail : 1
I/O 1	Plane0 Pass/Fail	Plane0 Pass/Fail	Plane0 Pass/Fail(N)	NA	NA	Pass : 0 Fail : 1
I/O 2	Plane1 Pass/Fail	Plane1 Pass/Fail	Plane1 Pass/Fail(N)	NA	NA	Pass : 0 Fail : 1
I/O 3	NA	NA	Plane0 Pass/Fail(N-1)	NA	NA	Pass : 0 Fail : 1
I/O 4	NA	NA	Plane1 Pass/Fail(N-1)	NA	NA	Pass : 0 Fail : 1
I/O 5	NA	NA	True Ready/Busy	NA	True Ready/Busy	Busy : 0 Ready : 1
I/O 6	Ready/Busy	Ready/Busy	Ready/Busy	Ready/Busy	Ready/Busy	Busy : 0 Ready : 1
I/O 7	Write Protect	Write Protect	Write Protect	Write Protect	Write Protect	Protected : 0 Not Protected : 1

**Note:**

3. I/Os defined NA are recommended to be masked out when Read Status is being executed.
4. N = current page, N-1 = previous page.

### 8.7 READ ID

The device contains a product identification mode, initiated by writing 90h to the command register, followed by an address input of 00h. Five read cycles sequentially output the manufacturer code (C8h), and the device code and 3<sup>rd</sup>, 4<sup>th</sup>, 5<sup>th</sup> cycle ID respectively. The command register remains in Read ID mode until further commands are issued to it.



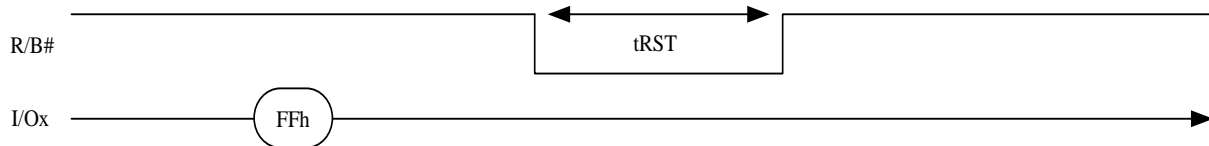
**Figure 8.9 Read ID Operation**

**Table 8.3 ID definition Table**

Part No.	1 <sup>st</sup> Cycle (Maker Code)	2 <sup>nd</sup> Cycle (Device Code)	3 <sup>rd</sup> Cycle	4 <sup>th</sup> Cycle	5 <sup>th</sup> Cycle
IS34MW01G084(X8)	C8h	81h	80h	15h	40h
IS34MW01G164(X16)	C8h	91h	80h	55h	40h

### 8.8 RESET

The device offers a reset feature, executed by writing FFh to the command register. When the device is in Busy state during random read, program or erase mode, the reset operation will abort these operations. The contents of memory cells being altered are no longer valid, as the data will be partially programmed or erased. The command register is cleared to wait for the next command, and the Status Register is cleared to value C0h when WP# is high. If the device is already in reset state a new reset command will be accepted by the command register. The R/B# pin changes to low for tRST after the Reset command is written. Refer to Figure below.



**Figure 8.10 Reset Operation**

**Table 8.4 Device Status Table**

	After Power-up	After Reset
Operation Mode	00h Command is latched	Waiting for next command



**8.9 CACHE READ**

Cache Read is an extension of Page Read, and is available only within a block. The normal Page Read command (00h-30h) is always issued before invoking Cache Read. After issuing the Cache Read command (31h), read data of the designated page (page N) are transferred from data registers to cache registers in a short time period of tDCBSYR, and then data of the next page (page N+1) is transferred to data registers while the data in the cache registers are being read out. Host controller can retrieve continuous data and achieve fast read performance by iterating Cache Read operation. The Read Start for Last Page Cache Read command (3Fh) is used to complete data transfer from memory cells to data registers.


**Figure 8.11 Read Operation with Cache Read**

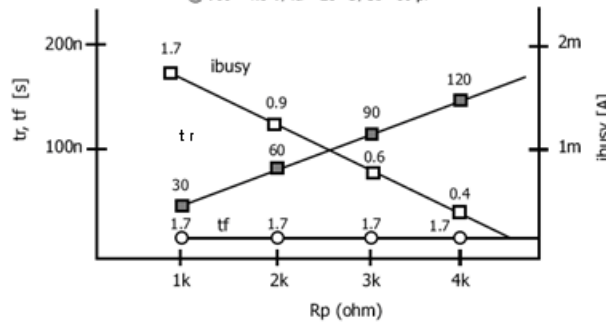
**8.10 READY/BUSY#**

The device has a R/B# output that provides a hardware method of indicating the completion of a page program, erase and random read completion. The R/B# pin is normally high but transition to low after program or erase command is written to the command register or random read is started after address loading. It returns to high when the internal controller has finished the operation. The pin is an open-drain driver thereby allowing two or more R/B# outputs to be Or-tied. Because pull-up resistor value is related to  $t_r(R/B\#)$  and current drain during busy ( $i_{busy}$ ), an appropriate value can be obtained with the following reference chart. Its value can be determined by the following guidance



Fig. Rp vs tr, tf & Rp vs  $i_{busy}$

@  $V_{cc} = 1.8\text{ V}$ ,  $T_a = 25\text{ }^\circ\text{C}$ ,  $C_L = 30\text{ pF}$



**Rp value guidance**

$$R_p(\text{min}) = \frac{V_{cc}(\text{Max.}) - V_{OL}(\text{Max.})}{I_{OL} + \sum I_L} = \frac{1.85\text{ V}}{3\text{ mA} + \sum I_L}$$

where  $I_L$  is the sum of the input currents of all devices tied to the R/B# pin.

$R_p(\text{max})$  is determined by maximum permissible limit of  $t_r$

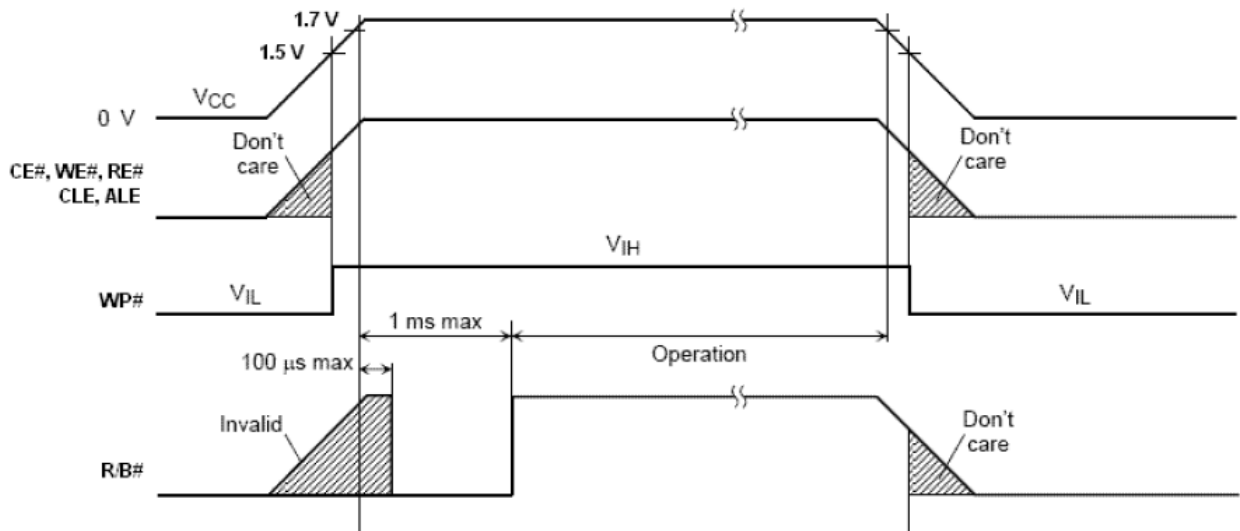
**Figure 8.12 Ready/Busy# Pin Electrical Specifications**

**8.11 DATA PROTECTION AND POWER UP SEQUENCE**

The timing sequence shown in the figure below is necessary for the power-on/off sequence.

The device internal initialization starts after the power supply reaches an appropriate level in the power on sequence. During the initialization the device R/B# signal indicates the Busy state as shown in the figure below. In this time period, the acceptable commands are 70h.

The WP# signal is useful for protecting against data corruption at power on/off.



**Figure 8.13 AC Waveforms for Power Transition**

### 8.12 WRITE PROTECT OPERATION

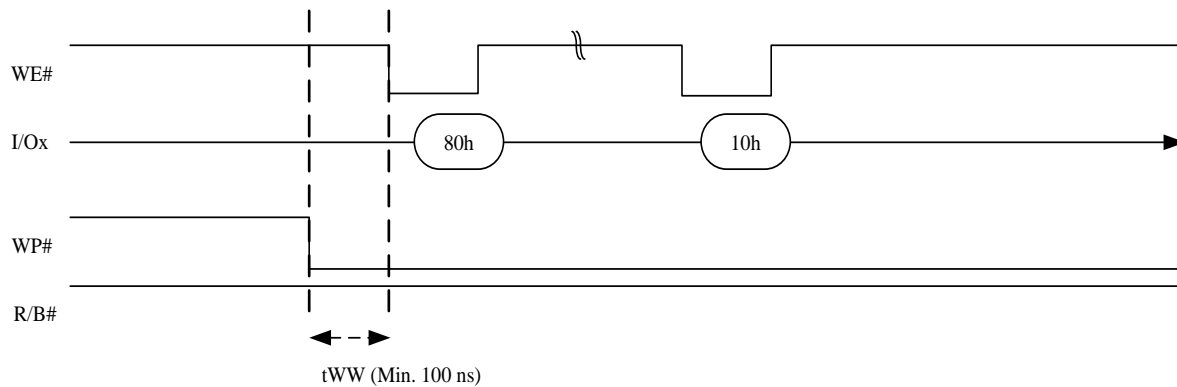
Enabling WP# during erase and program busy is prohibited. The erase and program operations are enabled and disabled as follows:

#### Enable Programming

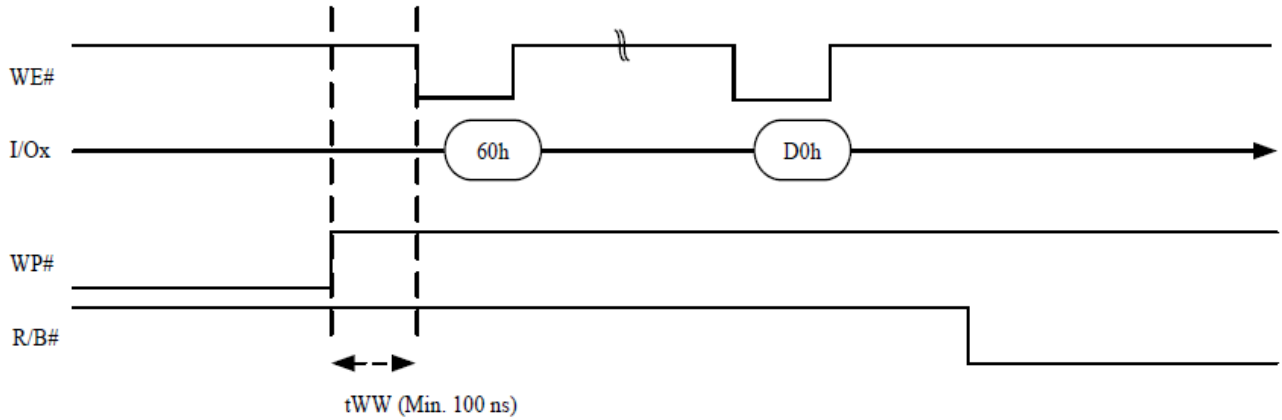


**Note:** WP# keeps “High” until programming finish

#### Disable Programming

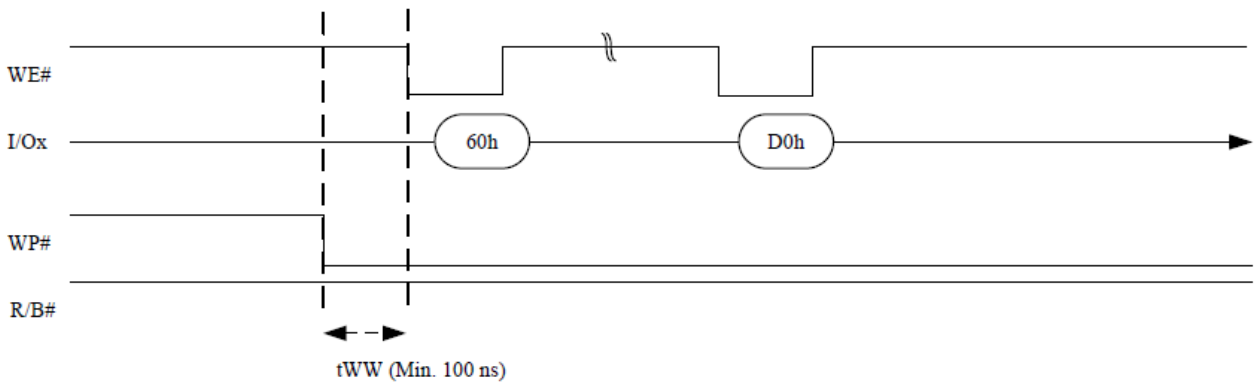


**Enable Erasing**



**Note:** WP# keeps "High" until erasing finish

**Disable Erasing**



**Figure 8.14 Enable/Disable Programming and Enable Erasing**

### 8.13 READ PARAMETER PAGE OPERATION

Read Parameter Page (ECh) command is used to read ONFI parameter page programmed into the target.

This command is accepted by the target only when the die(s) on the target is idle. Writing ECh to the command register puts the target in read parameter page mode. The target stays in this mode until another valid command is issued.

When ECh command is followed by one 00h address cycle, the target goes busy for  $t_R$ . If the Read Stat(70h) command is used to monitor for command completion, the Read mode (00h) command must be re-enable data output mode.

A minimum of three copies of the parameter page are stored in the device. Each parameter page is 256 bytes. Random Data Output (05h-E0h) can be used to change the location of data output.

**The upper eight I/Os on a x16 device are not used and a “Don’t care” for x16 devices.**

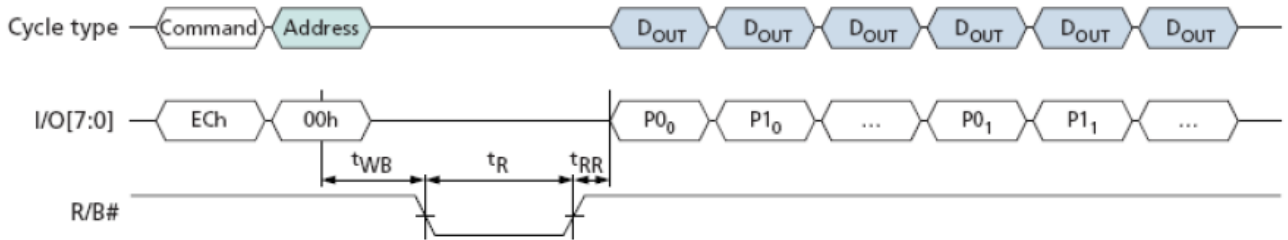


Figure 8.15 Read Parameter Page Operation

Byte	Description	Value
0-3	Parameter page signature ("O", "N", "F", "I")	4Fh, 4Eh, 46h, 49h
4-5	Revision number	02h, 00h
6-7	Features supported	IS34/35MW01G084
		IS34/35MW01G164
8-9	Optional commands supported	33h, 00h
10~31	Reserved	All 00h
32-43	Device manufacturer (Powerchip)	50h, 4Fh, 57h, 45h, 52h, 43h, 48h, 49h, 50h, 20h, 20h, 20h
44-63	Device model	IS34/35MW01G084
		IS34/35MW01G164
64	Manufacturer ID	C8h
65-66	Date code	00h, 00h
67-79	Reserved	All 00h
80-83	Number of data bytes per page	00h, 08h, 00h, 00h
84-85	Number of spare bytes per page	40h, 00h
86-89	Number of data bytes per partial page	00h, 02h, 00h, 00h
90-91	Number of spare bytes per partial page	10h, 00h
92-95	Number of pages per block	40h, 00h, 00h, 00h
96-99	Number of blocks per unit	00h, 04h, 00h, 00h
100	Number of logical units	01h
101	Number of address cycles	22h
102	Number of bits per cell	01h
103-104	Number of maximum bad blocks per unit	14h, 00h
105-106	Block endurance	01h, 05h
107	Guaranteed valid blocks at beginning of target	01h
108-109	Block endurance of guaranteed valid blocks	00h, 00h
110	Number of partial programs per page	04h
111	Partial programming attributes	00h
112	Number of bits ECC	04h
113	Number of Interleaved address bits	00h
114	Interleaved operation attributes	00h

115-127	Reserved	All 00h
128	I/O pin capacitance	0Ah
129-130	Timing mode support (Reserved)	03h, 00h
131-132	Program cache timing mode support (Reserved)	03h, 00h
133-134	tPROG (max)	EEh, 02h
135-136	tBERS (max)	10h, 27h
137-138	tR (max)	19h, 00h
139-140	tCCS (min)	64h, 00h
141-163	Reserved	All 00h
164-165	Vendor-specific revision number	01h, 00h
166	Two-Plane Page Read support Bit[7:1]: Reserved (0) Bit 0: 0= Doesn't support Two Plane Page Read	00h
167	Read cache support Bit[7:1]: Reserved (0) Bit 0: 0= Doesn't support ONFI-specific read cache	00h
168	Read Unique ID support Bit[7:1]: Reserved (0) Bit 0: 0= Doesn't support ONFI-specific Read Unique ID	00h
169	Programmable output impedance support Bit[7:1]: Reserved (0) Bit 0: 0= Doesn't support programmable output impedance support	00h
170	Number of programmable output impedance support settings Bit[7:3]: Reserved (0) Bit[2:0]: Number of programmable IO output impedance settings	00h
171	Reserved	00h
172	Programmable R/B# pull-down strength support Bit[7:1]: Reserved (0) Bit 0: 0= Doesn't support programmable R/B# pull-down strength	00h
173	Reserved	00h
174	Number of programmable R/B# pull-down strength support Bit[7:3]: Reserved (0)	00h



	Bit[2:0]: Number of programmable R/B# pull-down strength settings	
175	OTP mode support Bit[7:2]: Reserved (0) Bit 1: 0= Doesn't support Get/Set Feature command set Bit 0: 1= support OTP mode	01h
176	OTP page start Bit[7:0] = Page where OTP page space begins	00h
177	OTP Data Protect address Bit[7:0] = Page address to use when issuing OTP Data Protect command	00h
178	Number of OTP pages Bit[15:5]: Reserved (0) Bit[4:0] = Number of OTP pages	1Eh
179	OTP Feature Address	90h
180-253	Reserved	All 00h
254-255	Integrity CRC	Set at test
256-511	Values of bytes 0-255	Values of bytes 0-255
512-767	Values of bytes 0-255	Values of bytes 0-255
768+	Additional redundant parameter pages	

**Table 8.5 Parameter Page Data Structure**

### 8.14 READ UNIQUE ID OPERATION

Read Unique ID (Edh) command is used to read a unique identifier programmed into the target. This command is accepted by the target only when the die(s) on the target is idle. Writing Edh to the command register puts the target in read unique ID mode. The target stays in this mode until another valid command is issued.

When Edh command is followed by one 00h address cycle, the target goes busy for IR. If the Read Status (70h) command is used to monitor for command completion, the Read mode (00h) command must be used to re-enable data output mode. After  $t_R$  completes, the host enables data output mode to read the unique ID.

Sixteen copies of the unique ID data are stored in the device. Each copy is 32 bytes. The first 16 bytes of a 32-byte copy are unique ID data, and the second 16 bytes are the complement of the first 16 bytes of FFh, then that copy of the unique ID data is correct. In the event that a non-FFh result is returned, the host can repeat the XOR operation on a subsequent copy of the unique ID data. Random Data Output (05h-E0h) can be used to change the location of data output.

The upper eight I/Os on a x16 device are not used and are a "Don't care" for x16 devices.



**Figure 8.16 Read Unique ID Operation**

### 8.15 ONE-TIME PROGRAMMABLE (OTP) OPERATIONS

The device offers one-time programmable memory area. Thirty full pages of OTP data are available on the device, and the entire range is guaranteed to be good. The OTP area is accessible only through the OTP commands.

The OTP area leaves the factory in an unwritten state. The OTP area cannot be erased, whether it is protected or not. Protecting the OTP area prevents further programming of that area.

The OTP area is only accessible while in OTP operation mode. To set the device to OTP operation mode, issue the Set Feature (EFh-90h-01h) command. When the device is in OTP operation mode, subsequent Read and/or Page Program are applied to the OTP area. **When you want to come back to normal operation, you need to use EFh-90h-00h for OTP mode release. Otherwise, device will stay OTP mode.**

To program an OTP page, issue the Serial Data Input (80h) command followed by 4 address cycles. This first two address cycles are column address that must be set as 00h. For the third cycle, select a page in the range of 00h through 1Dh. The fourth cycle is fixed at 00h. Next, up to 2,112 bytes of data can be loaded into data register. The bytes other than those to be programmed do not need to be loaded. Random Data Input (85h) command in this device is prohibited. The Page Program confirms (10h) command initiates the programming process. The internal control logic automatically executes the programming algorithm, timing and verification. Please note that no partial-page program is allowed in the OTP area. In addition, the OTP pages must be programmed in the ascending order. A programmed OTP page will be **automatically protected**.

Similarly, to read data from an OTP page, set the device to OTP operation mode and then issue the Read (00h-30h) command. The first two address cycles are column address that must be set as 00h and Random Data Output (05h-E0h) command is prohibited as well.

All pages in the OTP area will be protected simultaneously by issuing the Set Feature (EFh-90h-03h) command to set the device to OTP protection mode. After the OTP area is protected, no page in the area is programmable and the whole area cannot be unprotected.

The Read Status (70h) command is the only valid command for reading status in OTP operation mode.

**Table 8.6 OTP Modes and Commands**

		Set feature	Command
OTP Operation mode	Read	EFh-90h <sup>1</sup> -01h <sup>2</sup>	00h-30h
	Page Program	EFh-90h-01h	80h-10h
OTP Protection mode	Program Protect	EFh-90h-03h	80h-10h
OTP Release mode	Leave OTP mode	EFh-90h-00h	-

**Notes:**

1. 90h is OTP status register address.
2. 00h, 01h, and 03h are OTP status register data values.

**Table 8.7 OTP Operations**

Operation	1 <sup>st</sup> Command Cycle	Number of Valid Address Cycles	Data input	2 <sup>nd</sup> Command Cycle
OTP Data Lock by Page	80h	4	No	10h
OTP Data Program	80h	4	Yes	10h
OTP Data Read	00h	4	No	30h

**Table 8.8 OTP Area Detail**

Description	Value
Number of OTP pages	30
OTP page address	00h – 1Dh
Number of partial page programs for each page in the OTP area	1


**Note:**

1. There is no busy time for OTP setting

**Figure 8.17 One Time Program Operation**

## 9. INVALID BLOCK AND ERROR MANAGEMENT

### 9.1 MASK OUT INITIAL INVALID BLOCK(S)

Initial invalid blocks are defined as blocks that contain one or more initial invalid bits whose reliability is not guaranteed by ISSI. The information regarding the initial invalid block(s) is called the initial invalid block information. Devices with initial invalid block(s) have the same quality level as devices with all valid blocks and have the same AC and DC characteristics. An initial invalid block(s) does not affect the performance of valid block(s) because it is isolated from the bit line and the common source line by a select transistor. The system design must be able to mask out the initial invalid block(s) via address mapping.

The 1st block, which is placed on 00h block address, is guaranteed to be a valid block up to 1K program/erase cycles with 4bit/512Byte ECC.

### 9.2 IDENTIFYING INITIAL INVALID BLOCK(S) AND BLOCK REPLACEMENT MANAGEMENT

Unpredictable behavior may result from programming or erasing the defective blocks. Figure below illustrates an algorithm for searching factory-mapped defects, and the algorithm needs to be executed prior to any erase or program operations.

A host controller has to scan the data at the first byte in the spare area of the first page or second page of each block from block 0 to the last block using page read command.

Any block where the 1<sup>st</sup> byte in the spare area of the first or second page does not contain “FFh” is an invalid block.

Do not erase or program factory-marked bad blocks. The host controller must be able to recognize the initial invalid block information and to create a corresponding table to manage block replacement upon erase or program error when additional invalid blocks develop with Flash memory usage.

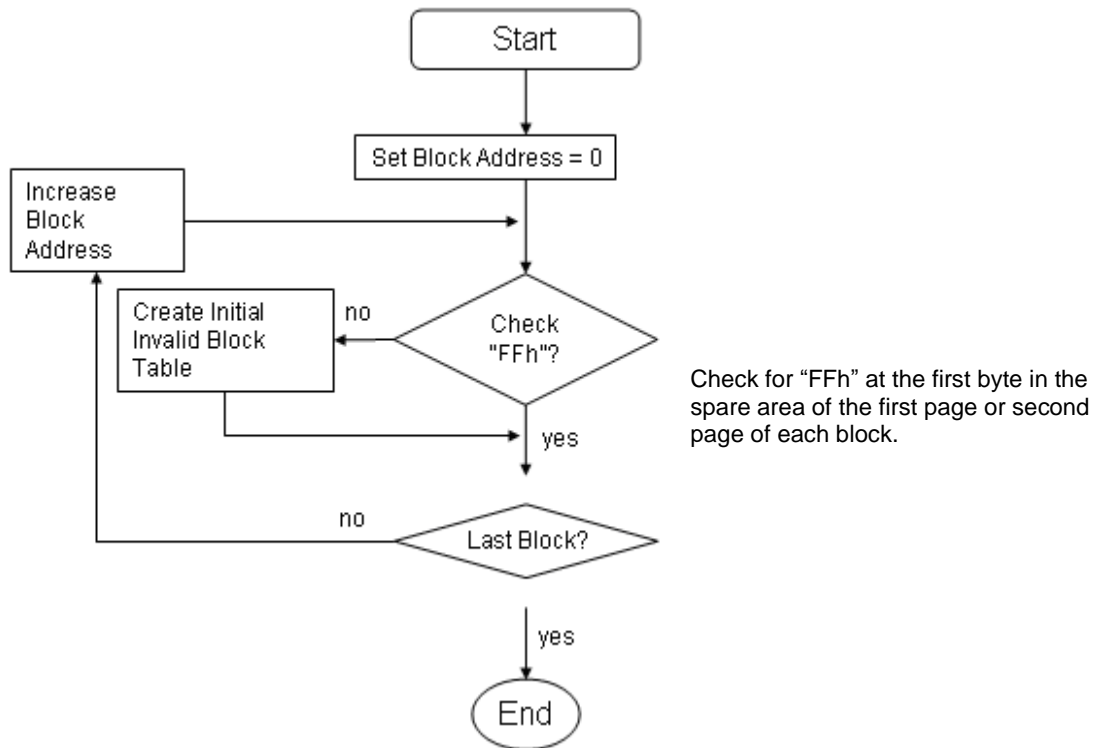


Figure 9.1 Algorithm for Bad Block Scanning

### 9.3 ERROR IN READ OR WRITE OPERATION

Within its lifetime, additional invalid blocks may develop with NAND Flash memory. Refer to the qualification report for the actual data. The following possible failure modes should be considered to implement a highly reliable system. In the case of status read failure after erase or program, block replacement should be done. Because program status fail during a page program does not affect the data of the other pages in the same block, block replacement can be executed with a page-sized buffer by finding an erased empty block and reprogramming the current target data and copying the rest of the replaced block. In case of Read, ECC must be employed. To improve the efficiency of memory space, it is recommended that the read or verification failure due to single bit error be reclaimed by ECC without any block replacement. The additional block failure rate does not include those reclaimed blocks.

Failure Mode		Detection and Countermeasure Sequence
Write	Erase failure	Read Status after Erase → Block Replacement
	Program failure	Read Status after Program → Block Replacement
Read	Up to 4 bit failure	Verify ECC → ECC Correction

**Note:** Error Correcting Code → RS Code or BCH Code etc.  
 Example: 4bit / 512 Byte



Figure 9.2 Program Flow Chart

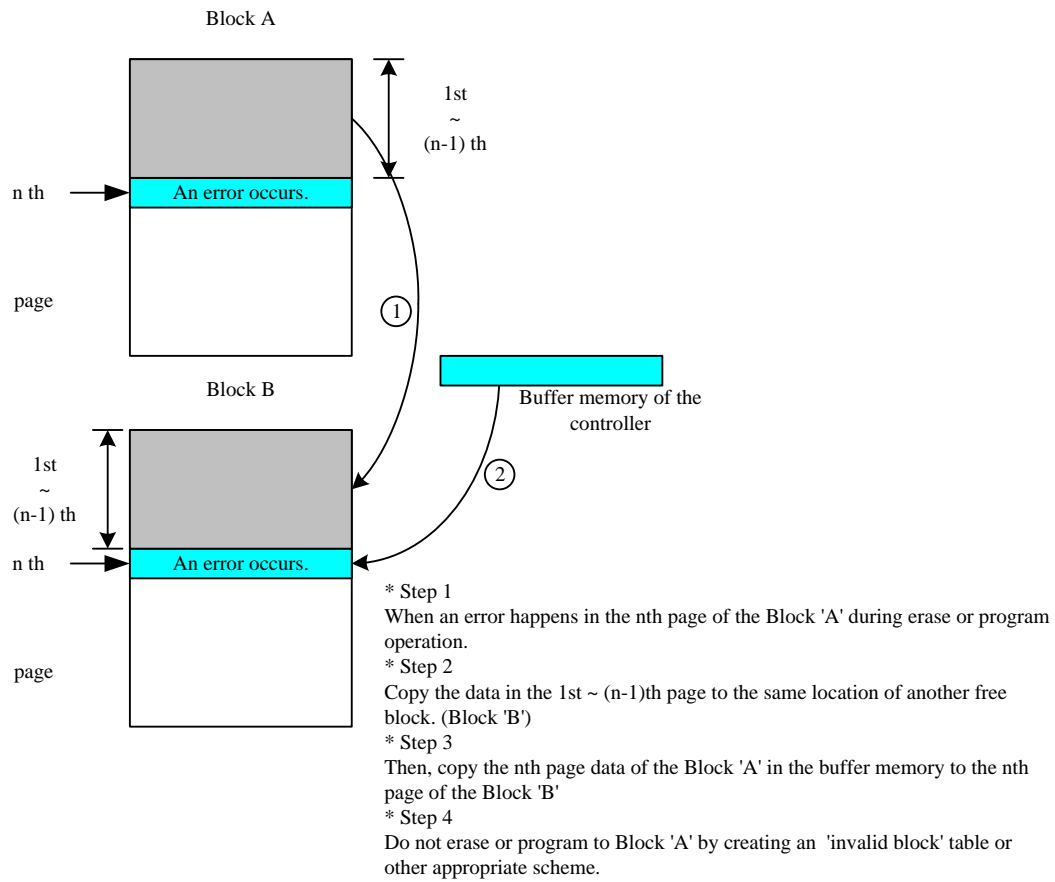




Figure 9.3 Erase Flow Chart



Figure 9.4 Read Flow Chart



**Figure 9.5 Block Replacement**

9.4 ADDRESSING FOR PROGRAM OPERATION



Figure 9.6 Addressing for Program Operation

**9.5 SYSTEM INTERFACE USING CE# NOT CARE OPERATION**

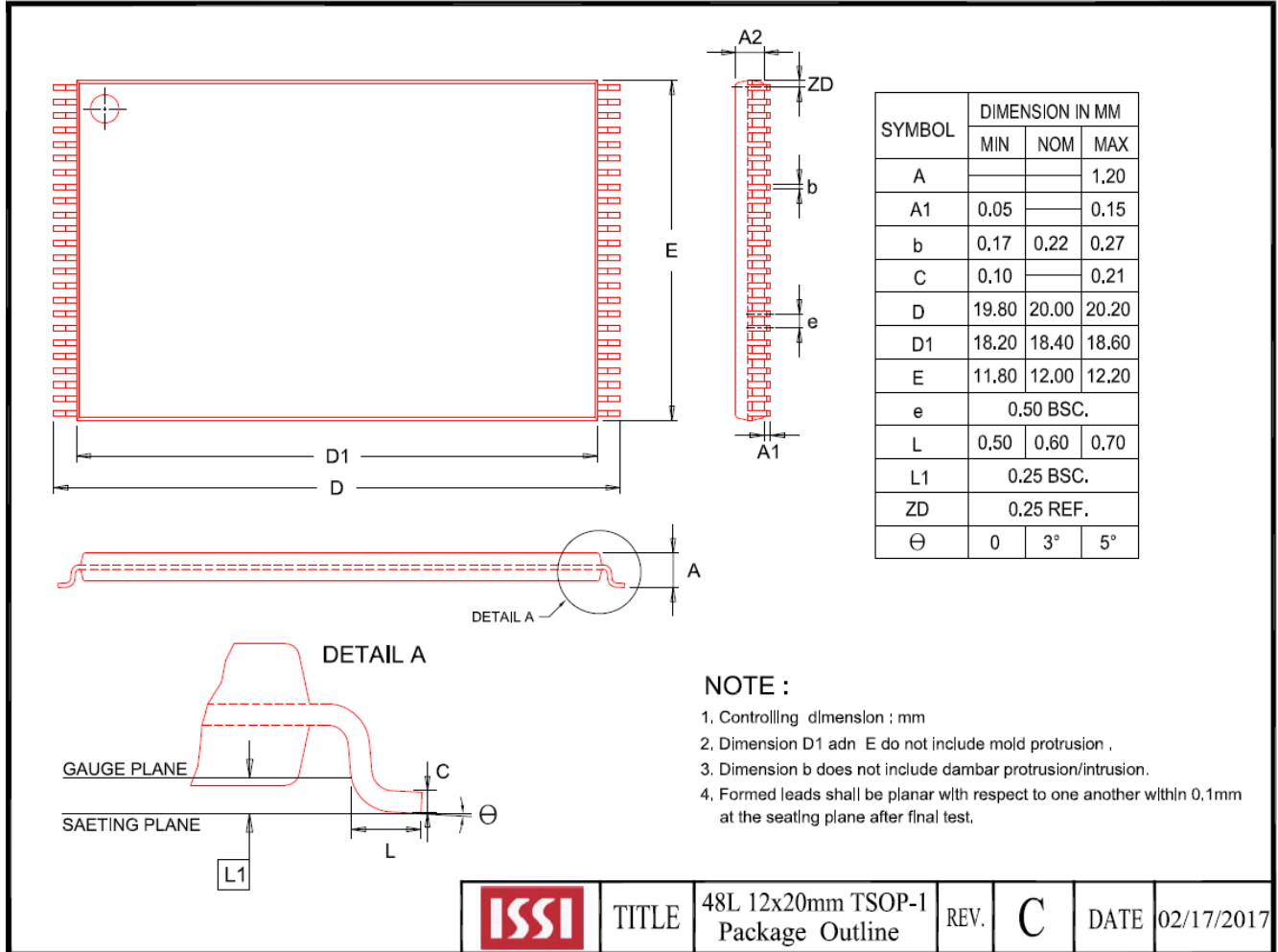
For an easier system interface, CE# may be inactive during the data-loading or serial access as shown below. The internal 2,112byte (1,056word) data registers are utilized as separate buffers for this operation and the system design gets more flexible. In addition, for voice or audio applications that use slow cycle time on the order of  $\mu$ -seconds, de-activating CE# during the data-loading and serial access would provide significant savings in power consumption.


**Figure 9.7 Program/Read-Operation with CE# Not-Care Operation**
**Address Information**

Device	Data	I/O	Address			
	Data In/Out	I/Ox	Col. Add1	Col. Add2	Row Add1	Row Add2
IS34/35MW01G084	2,112Byte	I/O 0~I/O 7	A0 ~ A7	A8 ~ A11	A12 ~ A19	A20 ~ A27
IS34/35MW01G164	1,056Word	I/O 0~I/O 15	A0 ~ A7	A8 ~ A10	A12 ~ A18	A20 ~ A26

10. PACKAGE TYPE INFORMATION

10.1 48-PIN TSOP (TYPE I) PACKAGE (T)



10.2 63-BALL VFBGA PACKAGE (B)



11. ORDERING INFORMATION – Valid Part Numbers

IS 34 M W 01G 08 4 \_ - B L !



**TEMPERATURE RANGE**

I = Industrial (-40°C to +85°C)  
 E = Industrial (-40°C to +105°C)  
 A1 = Automotive Grade (-40°C to +85°C)  
 A2 = Automotive Grade (-40°C to +105°C)

**PACKAGING CONTENT**

L = RoHS compliant

**PACKAGE Type**

T = 48-pin TSOP (Type I) (Call Factory)  
 B = 63-ball VFBGA

**Die Revision**

Blank = First Gen.

**ECC Requirement**

4 = 4-bit ECC

**Bus Width**

08 = x8 NAND  
 16 = x16 NAND

**Density**

01G = 1 Gigabit

**VDD**

W = 1.8V

**Technology**

M = Standard NAND (SLC)

**Product Family**

34 = NAND  
 35 = Automotive NAND

**BASE PART NUMBER**

IS = Integrated Silicon Solution Inc.



VDD	Density	Bus	Temp. Grade	Order Part Number	Package
1.8V	1Gb	X8	Industrial	IS34MW01G084-BLI	63-ball VFBGA
			Extended	IS35MW01G084-BLE	63-ball VFBGA
			Automotive (A1) <sup>(1)</sup>	IS35MW01G084-BLA1	63-ball VFBGA
			Automotive (A2) <sup>(1)</sup>	IS35MW01G084-BLA2	63-ball VFBGA
		X16	Industrial	IS34MW01G164-BLI	63-ball VFBGA
			Extended	IS34MW01G164-BLE	63-ball VFBGA
			Automotive (A1) <sup>(1)</sup>	IS35MW01G164-BLA1	63-ball VFBGA
			Automotive (A2) <sup>(1)</sup>	IS35MW01G164-BLA2	63-ball VFBGA

**Note:**

1. Automotive Grade meets AEC-Q100 requirements with PPAP.

Temp Grades: A1= -40 to 85°C, A2= -40 to 105°C