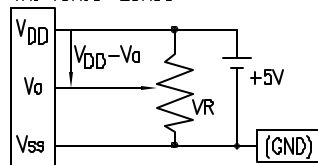


REV.	E.C.N. NUMBER AND REVISION COMMENTS	DATE
	SEE PAGE #1./	

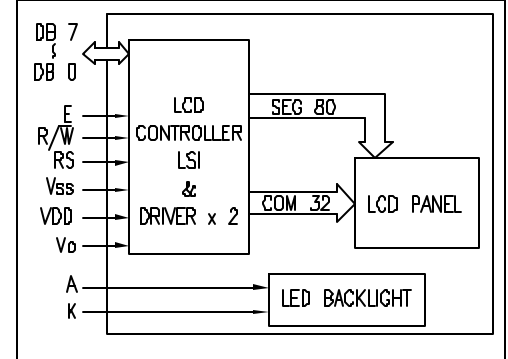
PIN CONFIGURATION

PIN NO.	SYMBOL	LEVEL	FUNCTION
1	V _{SS}	-	POWER SUPPLY GND (0V)
2	V _{DD}	-	
3	V _o	-	
4	RS	H/L	REGISTER SELECT SIGNAL H: DATA INPUT L: INSTRUCTION INPUT
5	R/W	H/L	H: DATA READ (MODULE-->MPU) L: DATA WRITE (MODULE<--MPU)
6	E	H,H->L	ENABLE
7~14	DB0~DB7	H/L	DATA BUS—SOFTWARE SELECTABLE 4 OR 8 BIT MODE.
15	A	-	ANODE LED BACKLIGHT
16	K	-	CATHODE LED BACKLIGHT

V_{DD}-V_o: LCD DRIVING VOLTAGE
VR: 10KΩ-20KΩ



BLOCK DIAGRAM 16 x 4, 1/16 DUTY, 1/5 BIAS



ELECTRICAL CHARACTERISTICS [Ⓐ] V_{DD}=4.7V to 5.3V, T_A=25°C

ITEM	SYMBOL	CONDITION	STANDARD VALUE			UNIT	
			MIN.	TYP.	MAX.		
SUPPLY VOLTAGE FOR LOGIC	V _{DD} -V _{SS}	-	-	5.0	-	V	
SUPPLY CURRENT FOR LOGIC	I _{DD}	V _{DD} =5V	-	2.0	3.0	mA	
INPUT VOLTAGE	HIGH LOW	V _{IH}	-	2.2	-	4.7	V
		V _{IL}	-	0	-	0.6	V
OUTPUT VOLTAGE	HIGH LOW	V _{OH}	-	2.4	-	-	V
		V _{OL}	-	-	-	0.4	V
*LED BACKLIGHT	VOLTAGE	V _f	I _f =260mA	-	4.2	4.5	V
	CURRENT	I _f	-	-	260	400	mA
	POWER CONSUMPTION	PD	-	-	1092	-	mW
	LUMINOUS	L	I _f =260mA	70	-	-	cd/m ²
	COLOR	-	-	-	-	-	nm

*ONLY APPLIES TO MODULES WITH BACKLIGHT

ABSOLUTE MAXIMUM RATINGS [Ⓐ]

ITEM	SYMBOL	TEST CONDITION	STANDARD VALUE		UNIT
			MIN	MAX	
SUPPLY VOLTAGE FOR LOGIC	V _{DD} -V _{SS}	T _a =25°C	4.7	5.3	V
SUPPLY VOLTAGE FOR LCD DRIVE	V _{DD} -V _o	-	4.2@50°C	4.8@0°C	V
INPUT VOLTAGE	V _i	T _a =25°C	V _{SS}	V _{DD}	V
		OPERATING TEMPERATURE	Topr	LCM-S	0
OPERATING TEMPERATURE	Topr	LCM-H	-20	70	°C
		STORAGE TEMPERATURE	Tstg	LCM-S	-20
STORAGE TEMPERATURE	Tstg	LCM-H	-30	85	°C

REV. A	PART NUMBER LCM-X01604DXX
-----------	------------------------------

CONFIDENTIAL INFORMATION
THE INFORMATION CONTAINED IN THIS DOCUMENT IS THE PROPERTY OF LUMEX INC. EXCEPT AS SPECIFICALLY AUTHORIZED IN WRITING BY LUMEX INC., THE HOLDER OF THIS DOCUMENT SHALL KEEP ALL INFORMATION CONTAINED HEREIN CONFIDENTIAL AND SHALL PROTECT SAME IN WHOLE OR IN PART FROM DISCLOSURE AND DISSEMINATION TO ALL THIRD PARTIES.

RELIABILITY NOTE
OUR MANY YEARS OF EXPERIENCE DATA ACCUMULATION INDICATE THAT SOLDER HEAT IS A MAJOR CAUSE OF EARLY AND FUTURE FAILURE. PLEASE PAY ATTENTION TO YOUR SOLDERING PROCESS.



290 E. HELLEN ROAD
PALATINE, ILLINOIS 60067
PHONE: 1-847-359-2790
WEB: HTTP://WWW.LUMEX.COM

4.75mm TALL, 5 x 8 DOT MATRIX,
16 x 4 CHARACTER LCD MODULE, 1/16 DUTY, 1/5 BIAS.

SA/BC

DRAWN BY:	CHECKED BY:	APPROVED BY:	DATE: 8-10-98
			PAGE: 2 OF 2
			SCALE: N/A