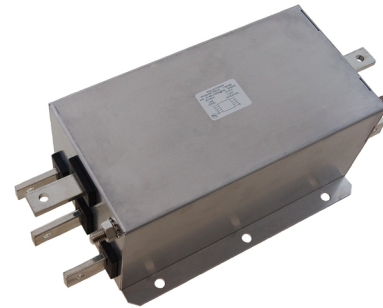


**RP428 Series**

**480V, 3-Phase WYE Dual Stage Power Line Filter**

**RP428  
3PHASE WYE TO 600A**

**ROHS COMPLIANT**



**SPECIFICATIONS**

|                        |   |
|------------------------|---|
| Operating Freq.        | : 50/60Hz   |
| Usable Freq.           | : DC - 400Hz  |
| Max. Operating Voltage | : 480V +10%   |
| Ambient Temperature    | : -25 to 60C  |
| Climatic Category      | : 25/100/21   |
| Hipot Rating (L-G)     | : 3500VDC   |
| Terminals (-T)         | : S: 8/16/25/36A (M5)<br>64/80A (M6)<br>120/160/200A (M10)<br>B: 300/400A (6x25)<br>600A (8x25) |
| Safety Approvals       | : cURus, EN60939  |

**LEAKAGE CURRENT**

| Y-cap, nF | mA,<br>480V/60Hz |
|-----------|------------------|
| 0         | 0                |
| 10        | 0.1              |
| 100       | 1                |
| 1000      | 10               |
| 2000      | 20               |

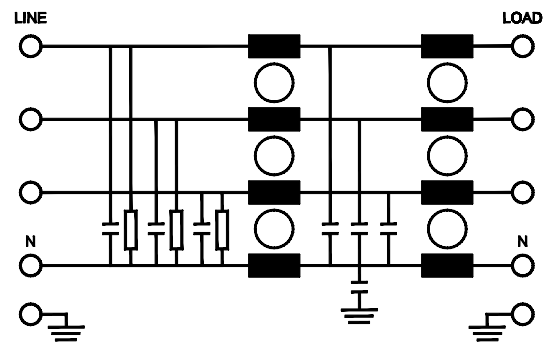
**PART NUMBER/ ORDERING**

| RP428 | -X<br>(Amps) | -Y<br>(Ycap, nF) | -T          | Weight<br>LBS (KG)<br>Typ. |
|-------|--------------|------------------|-------------|----------------------------|
|       | 8            | 0                | S           | 4.2 (1.9)                  |
|       | 16           | 10               |             | 4.5 (2.0)                  |
|       | 25           | 100              |             | 6.0 (2.7)                  |
|       | 36           | 1000             |             | 8.0 (3.6)                  |
|       | 64           | 2000             |             | 8.0 (3.6)                  |
|       | 80           |                  |             | 21.0 (9.5)                 |
|       | 120          |                  |             | 21.0 (9.5)                 |
|       | 160          |                  |             | 27.0 (12.5)                |
|       | 200          |                  |             | 27.0 (12.5)                |
|       | 300          |                  |             | B                          |
|       | 400          |                  | 75.0 (34.0) |                            |
|       | 600          |                  | 80.0 (36.2) |                            |

**Note:** Use any combination of -Y with any -X (Amps) rating  
e.g. RP428-80-10-S (80 Amps with 10nF Ycap)

Reference purposes only.  
Specifications are subject to change.  
Consult factory to verify specifications.

**SCHEMATIC**



[www.radiuspower.com](http://www.radiuspower.com)

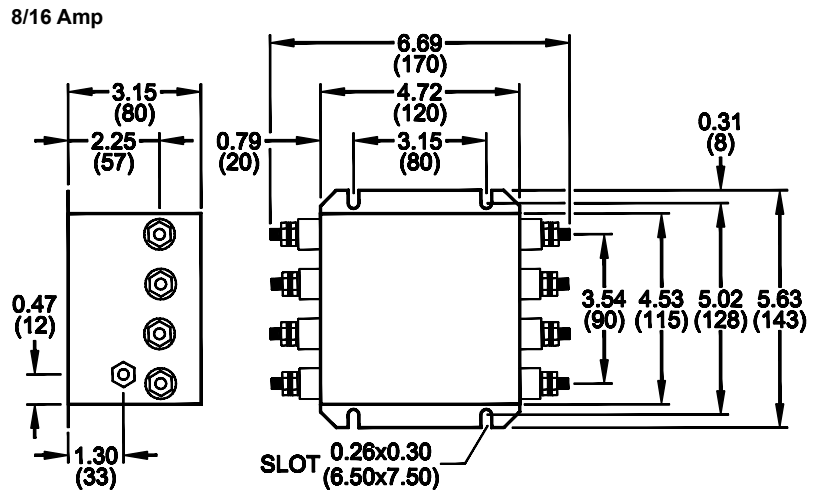
Engineering Assistance: [engg@radiuspower.com](mailto:engg@radiuspower.com)  
Sales: [sales@radiuspower.com](mailto:sales@radiuspower.com)

## RP428

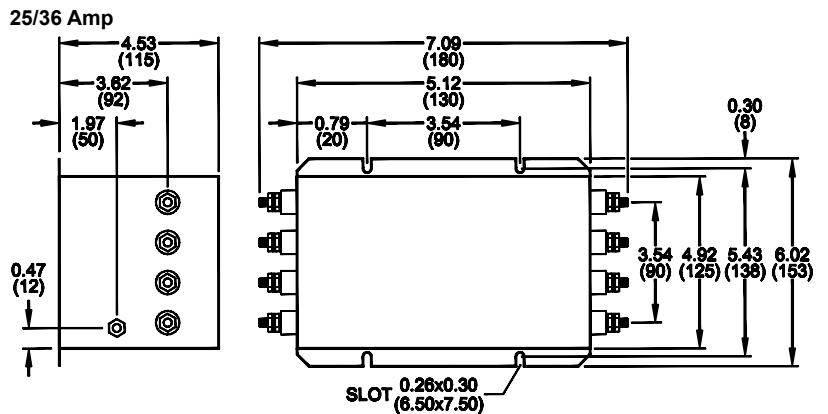
Typical Insertion Loss, dB (50/50ohm)

Mechanical Dimensions

| 8/16 Amp   |     |    |    |    |    |
|------------|-----|----|----|----|----|
| FREQ (MHz) | .15 | .5 | 1  | 10 | 30 |
| CM (dB)    | 65  | 75 | 75 | 45 | 30 |
| DM (dB)    | 52  | 65 | 60 | 55 | 50 |



| 25/36 Amp  |     |    |    |    |    |
|------------|-----|----|----|----|----|
| FREQ (MHz) | .15 | .5 | 1  | 10 | 30 |
| CM (dB)    | 65  | 75 | 70 | 42 | 30 |
| DM (dB)    | 60  | 70 | 65 | 58 | 50 |



TYPICAL TOLERANCE: +/-0.02 (0.50)

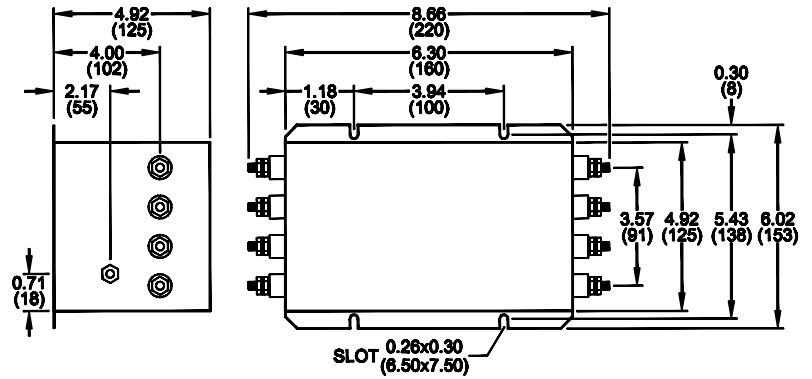
## RP428

Typical Insertion Loss, dB (50/50ohm)

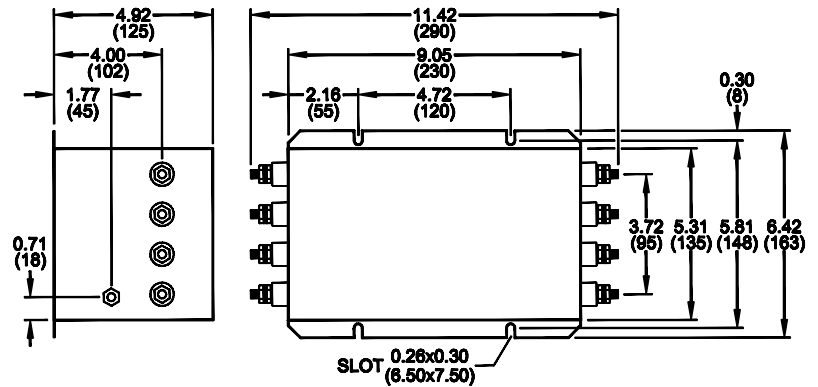
Mechanical Dimensions

| 64/80/120 Amp |     |    |    |    |    |
|---------------|-----|----|----|----|----|
| FREQ (MHz)    | .15 | .5 | 1  | 10 | 30 |
| CM (dB)       | 55  | 64 | 60 | 45 | 25 |
| DM (dB)       | 65  | 75 | 60 | 50 | 42 |

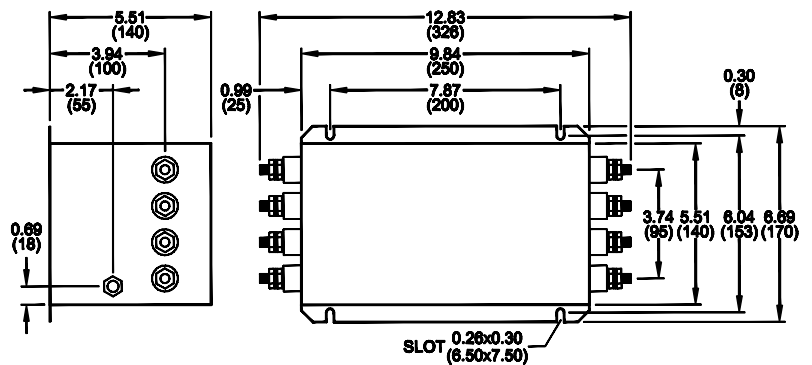
### 64 Amp



### 80 Amp



### 120 Amp



TYPICAL TOLERANCE: +/-0.02 (0.50)

Reference purposes only.  
Specifications are subject to change.  
Consult factory to verify specifications.

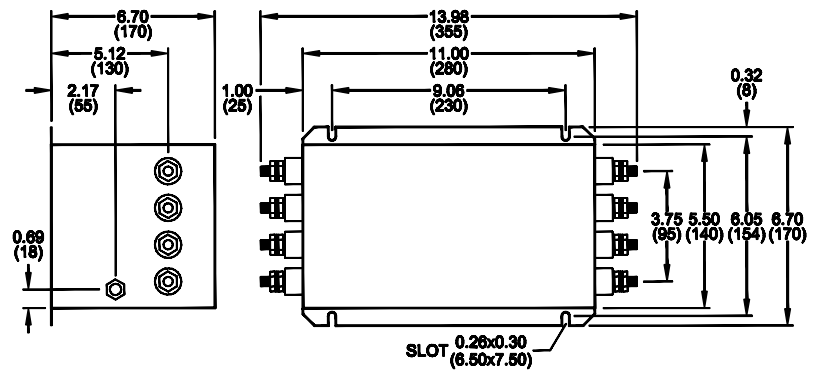
## RP428

Typical Insertion Loss, dB (50/50ohm)

Mechanical Dimensions

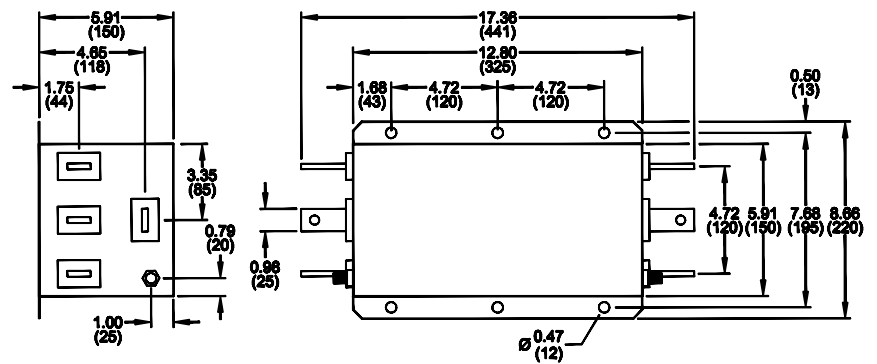
| 160/200 Amp |     |    |    |    |    |
|-------------|-----|----|----|----|----|
| FREQ (MHz)  | .15 | .5 | 1  | 10 | 30 |
| CM (dB)     | 60  | 65 | 55 | 35 | 20 |
| DM (dB)     | 65  | 55 | 60 | 30 | 30 |

160/200 Amp

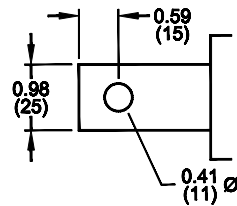


| 300/400/600 Amp |     |    |    |    |    |
|-----------------|-----|----|----|----|----|
| FREQ (MHz)      | .15 | .5 | 1  | 10 | 30 |
| CM (dB)         | 65  | 62 | 60 | 30 | 20 |
| DM (dB)         | 60  | 42 | 40 | 25 | 20 |

300/400/600 Amp



BUSBAR DETAIL



300/400 Amp - 6mm THICK  
600 Amp - 8mm THICK

Reference purposes only.  
Specifications are subject to change.  
Consult factory to verify specifications.