



■ Features :

- True sine wave output (THD<3%)
- High surge power up to 6000W
- High efficiency up to 92%
- Power ON-OFF switch
- Standby saving mode can be selectable
- Front panel indicator for operation status
- Thermostatically controlled cooling fan
- Protections: Bat. low alarm / Bat. low shutdown / Over voltage / Over temp. / Output short / Input polarity reverse / Overload / AC circuit breaker
- Application : Home appliance, power tools, office and portable equipment, vehicle and yacht ...etc.
- Optional monitoring software and connection cable (MW order No.: DS-TN-1500)
- 3 years warranty

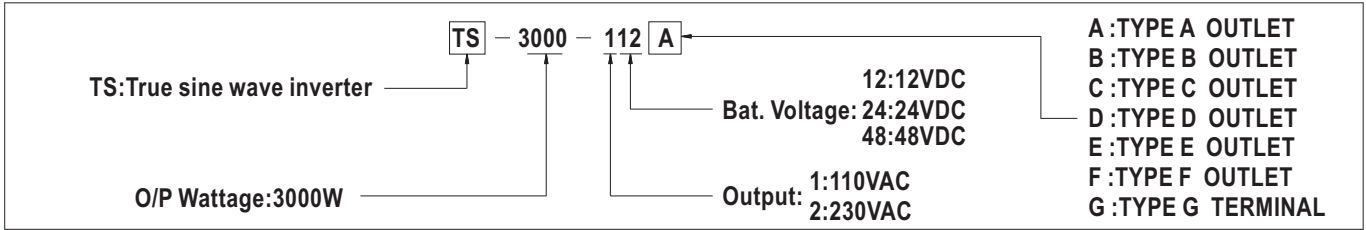


SPECIFICATION

MODEL	TS-3000-112	TS-3000-124	TS-3000-148	TS-3000-212	TS-3000-224	TS-3000-248				
OUTPUT	RATED POWER (Typ.) 3000W									
	MAXIMUM OUTPUT POWER (Typ.) 3450W for 180 sec. / 4500W for 10 sec. / surge power 6000W for 30 cycles									
	AC VOLTAGE			AC VOLTAGE						
	Factory setting set at 110VAC			Factory setting set at 230VAC						
	100 / 110 / 115 / 120VAC selectable by setting button S.W			200 / 220 / 230 / 240VAC selectable by setting button S.W						
	FREQUENCY			FREQUENCY						
	60±0.1Hz 50/60Hz selectable by setting button S.W			50±0.1Hz 50/60Hz selectable by setting button S.W						
	WAVEFORM True sine wave (THD<3%) at rated input voltage									
AC REGULATION (Typ.) ±3%										
SAVING MODE (Typ.) Default disabled. Load ≤ 5W will be changed to standby mode										
FRONT PANEL INDICATOR Battery voltage level, output load level, saving mode, fault and operation status										
INPUT	BAT. VOLTAGE		12V	24V	48V	12V	24V	48V		
	VOLTAGE RANGE (Typ.) Note.3,6		10.5 ~ 15VDC	21 ~ 30VDC	42 ~ 60VDC	10.5 ~ 15VDC	21 ~ 30VDC	42 ~ 60VDC		
	DC CURRENT (Typ.) Note.4		300A	150A	75A	300A	150A	75A		
	NO LOAD DISSIPATION (Typ.) ≤ 10W @ standby saving mode									
	OFF MODE CURRENT DRAW (Typ.) ≤ 1mA									
	EFFICIENCY (Typ.) Note.1		88%	90%	91%	89%	91%	92%		
	BATTERY TYPES Open & sealed lead acid battery									
BATTERY INPUT PROTECTION	FUSE		40A*12	40A*6	20A*6	40A*12	40A*6	20A*6		
	BAT. LOW ALARM Note.6		11.3V	22.5V	45V	11.3V	22.5V	45V		
	BAT. LOW SHUTDOWN Note.6		10.5V	21V	42V	10.5V	21V	42V		
	REVERSE POLARITY By internal fuse open									
OUTPUT PROTECTION	OVER TEMPERATURE		90°C ± 5°C	85°C ± 5°C	85°C ± 5°C	80°C ± 5°C	75°C ± 5°C	75°C ± 5°C		
	Protection type : Shut down o/p voltage, re-power on to recover									
	OUTPUT SHORT		Protection type : Shut down o/p voltage, re-power on to recover							
	OVER LOAD (Typ.)		105 ~ 115% load for 180 sec., 115% ~ 150% load for 10 sec.							
	Protection type : Shut down o/p voltage, re-power on to recover									
	CIRCUIT BREAKER AC output receptacle:15A									
GFCI PROTECTION					Optional (Only type F)		None			
ENVIRONMENT	WORKING TEMP. Note.2		0 ~ +40°C @ 100% load ; 60°C @ 50% load							
	WORKING HUMIDITY 20% ~ 90% RH non-condensing									
	STORAGE TEMP., HUMIDITY -30 ~ +70°C / -22 ~ +158°F, 10 ~ 95% RH									
	VIBRATION 10 ~ 500Hz, 3G 10min./1cycle, 60min. each along X, Y, Z axes									
SAFETY & EMC	SAFETY STANDARDS				UL458 (only for Type G)			None		
	LVD					None			EN60950-1	
	WITHSTAND VOLTAGE Bat I/P - AC O/P:3.0KVAC AC O/P - FG:1.5KVAC									
	ISOLATION RESISTANCE Bat I/P - AC O/P, Bat I/P - FG, AC O/P - FG: 100M ohms / 500VDC / 25°C / 70% RH									
	EMC EMISSION					Compliance to FCC class A			Compliance to EN55022 class A, 72/ 245/ CEE, 95/ 54/ CE, E-Mark	
	EMC IMMUNITY					None			Compliance to EN61000-4-2,3,4,5,6,8,11	
OTHERS	CONTROL WIRING RJ11 -RS232 (Option)									
	DIMENSION 466.8*283.5*100mm (L*W*H)									
	PACKING 12.9Kg; 1pcs/14Kg/1.98CUFT									

NOTE

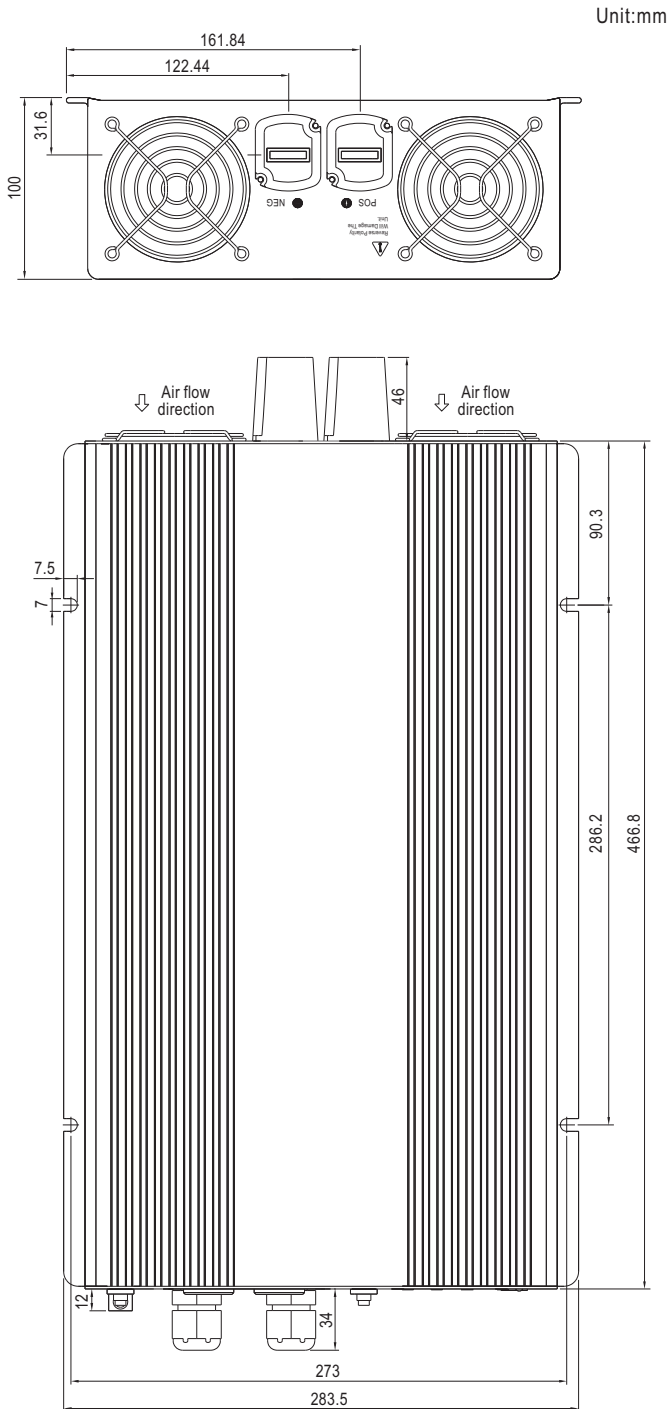
1. Efficiency is tested by 2100W, linear load at 13V, 26V, 52V input voltage.
2. Output derating capacity referenced by curve 1.
3. Input derating capacity referenced by curve 2.
4. DC current is tested by 3000W, linear load at 12V, 24V, 48V input voltage.
5. All parameters not specified above are measured at rated load, 25°C of ambient temperature.
6. The tolerance of each voltage value by models is: 112/212 → ±0.5V; 124/224 → ±1V; 148/248 → ±2V



AC Output Receptacle (optional)

Receptacle type	TYPE-A	TYPE-B	TYPE-C	TYPE-D	TYPE-E	TYPE-F	TYPE-G
Country	USA	EUROPE	AUSTRALIA	U.K	JAPAN	GFCI	----
Certificate	FC	E13 CE	E13 CE	E13 CE	FC	FC	UL US FC (Expect for 48V input)

Mechanical Specification



Derating Curve

