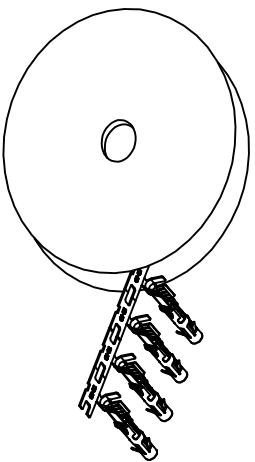


REVISIONS				
REV	ECO	DESCRIPTION	DATE	BY APPR
A1	-	RELEASED DRAWING	Jul-16-18	Flan Tommy

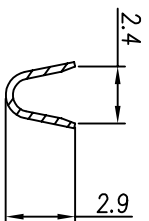


CONTACT ORIENTATION ON ROLL(3000PCS./COIL)

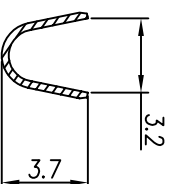
NOTES : (UNLESS OTHERWISE SPECIFIED)

1. MATERIAL :
 - 1.1. CONTACT BODY : COPPER ALLOY.
 - 1.2. OUTER SPRING : STAINLESS STEEL.
2. SPECIFICATIONS :
 - 2.1 CURRENT RATING : 13A MAX.
 - 2.2 TERMINATION TYPE : CRIMPING.
 - 2.3 WIRE RANGE : 16~18AWG.
 - 2.4 WIRE INSULATION DIA(MAX) : ϕ 3.2mm.
3. ROHS COMPLIANT.
4. ALL DIMENSIONS ARE FOR REFERENCE USE ONLY.
5. AVAILABLE TOOLS :
 - 5.1 HAND CRIMPER : MFX-3954.
 - 5.2 CRIMP APPLICATOR : MFX-3957.
 - 5.3 EXTRACTION TOOL : QXRTL6.

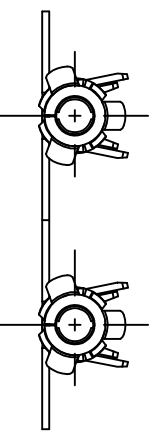
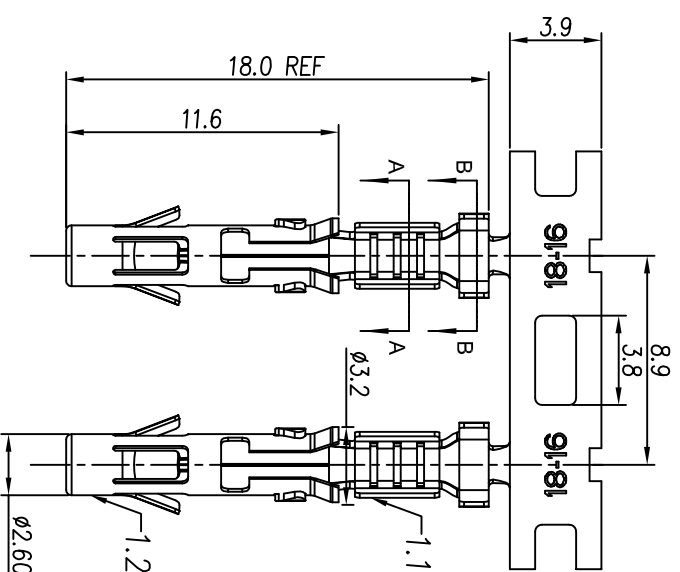
P/N	CONTACT PLATING(MATING AREA)
SS16M2T	TIN PLATING OVER NICKEL.
SS16M2N	NICKEL PLATING OVER COPPERIZE.
SS16M2F	GOLD FLASH PLATING OVER NICKEL.
SS16M2G5	5 μ "GOLD PLATING OVER NICKEL.
SS16M2G10	10 μ "GOLD PLATING OVER NICKEL.
SS16M2G15	15 μ "GOLD PLATING OVER NICKEL.
SS16M2G30	30 μ "GOLD PLATING OVER NICKEL.



SECTION A-A



SECTION B-B



QUANTITY	PART NUMBER	DESCRIPTION	ITEM

MATERIALS LIST

SIGNATURES	DATE	DESCRIPTION
DRAWN: Flan	Jul-16-18	<p>Amphenol</p> <p>Sine Systems - www.amphenol-sine.com</p> <p>44724 Morley Drive</p> <p>Clinton Township, MI 48036</p>
CREATED: Jod	Jul-16-18	
ENGINEER: Tommy	Jul-16-18	

UNLESS OTHERWISE SPECIFIED 1) All dimensions are in millimeters. 2) Tolerances are as follows: 1 PL, DEC & 0.30 Fractions, ±1/16" 3 PL, DEC & 0.08 Angles, ±1° 3) Note reference = Δ	CUSTOMER: Tommy	DATE: Jul-16-18
PROCESS SPECIFICATIONS:		
MATERIAL SPECIFICATIONS:		
TESTING SPECIFICATIONS:		
REVISIONS:		
SCALE: NONE	SIZE: B	TYPE: C-
		DWG NO: SS16M2XX
		REVISION: A1